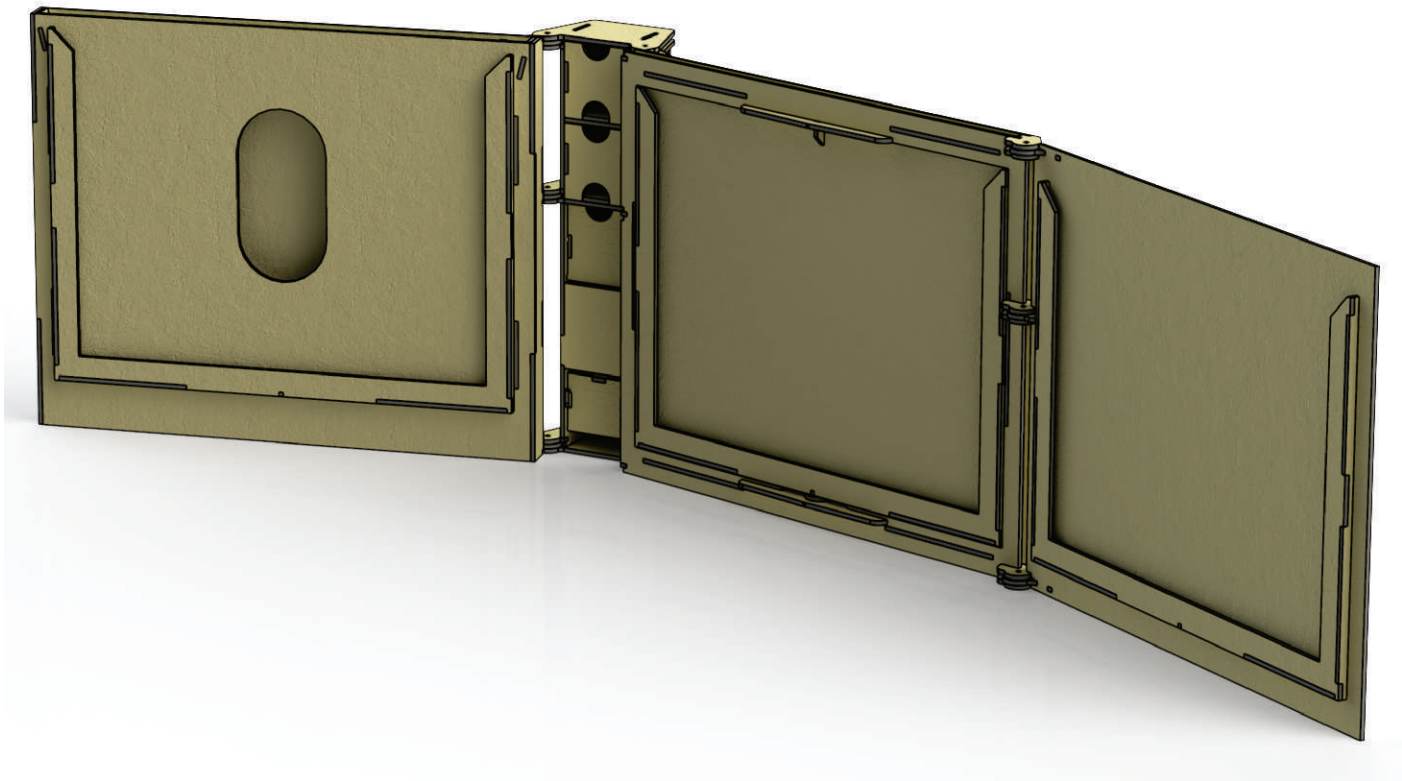


Game Box Assembly Instructions

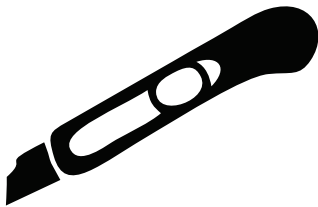


Important info and symbols.

You will need a sharp, narrow blade such as a utility or a hobby knife and some wood glue.

Some parts of the assembly has to be able to move. Be careful to not get glue into those areas, and allow glue to dry on parts before sliding them into place.

Parts are named sheet first, part second. Ex. 2.5 means sheet two, part 5. Parts that are the same, have the same number.



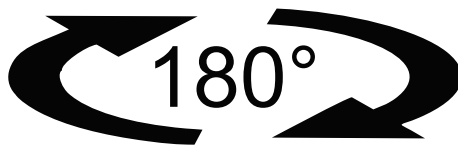
Cutting required



Glue required



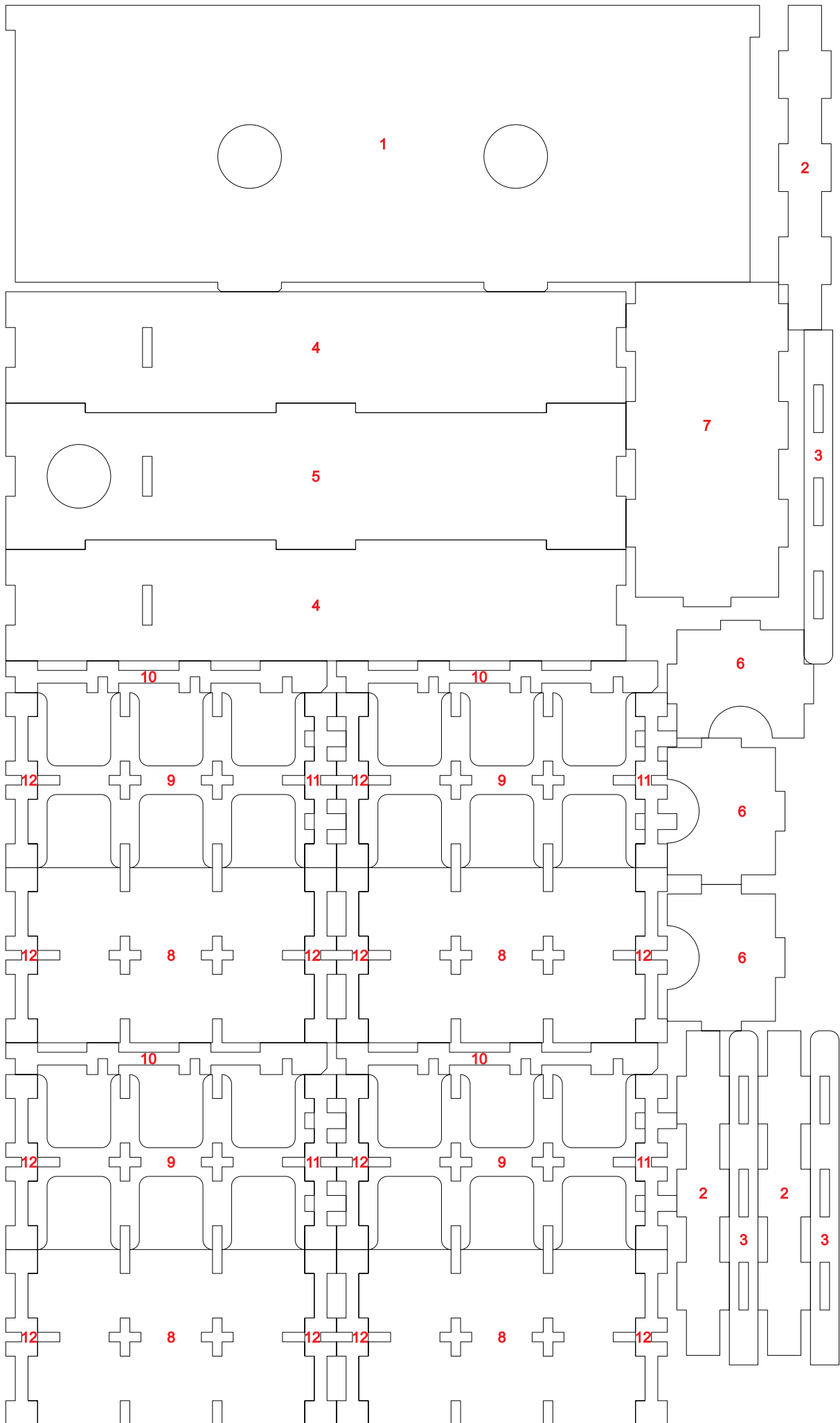
Do not glue

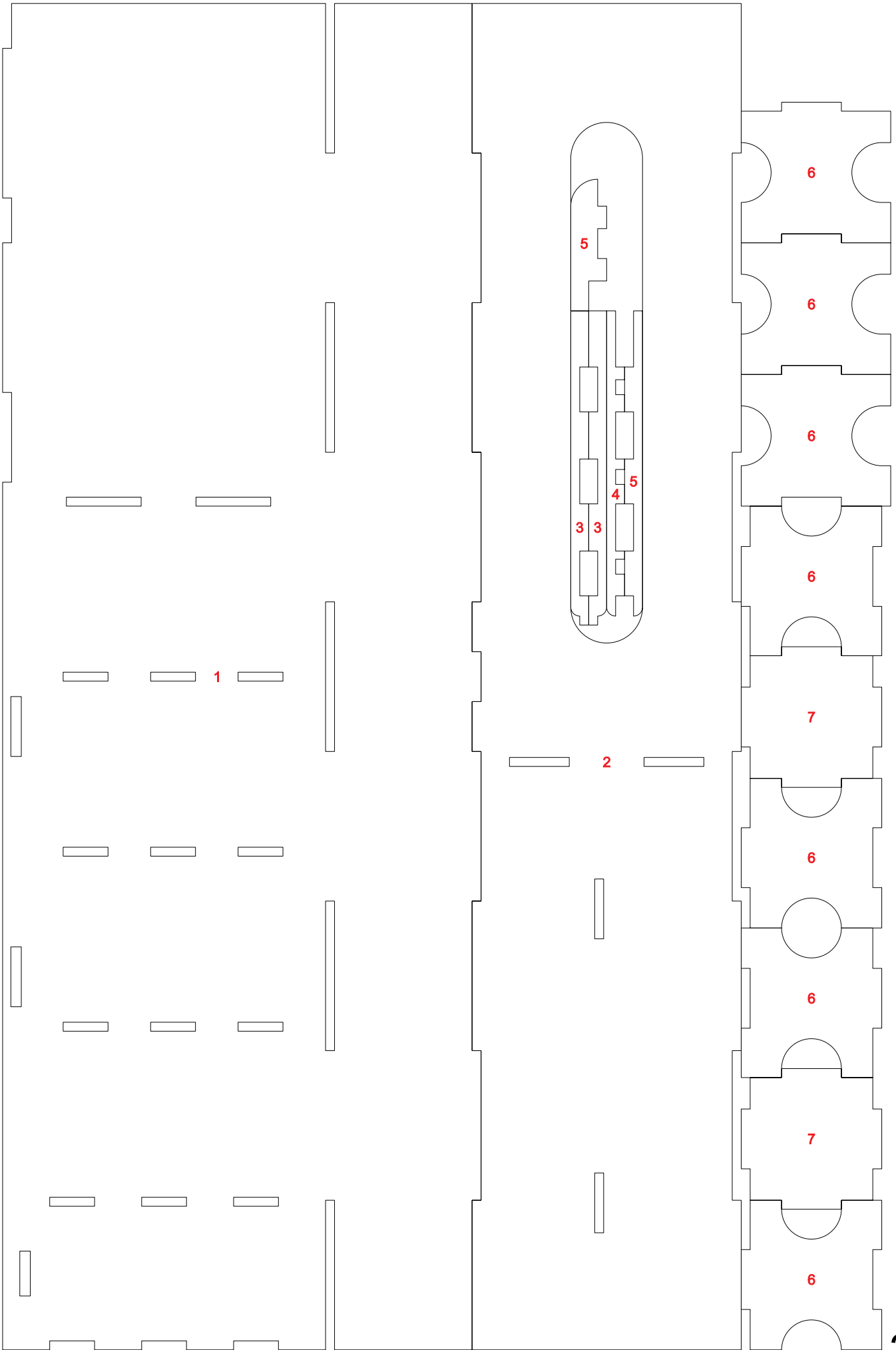


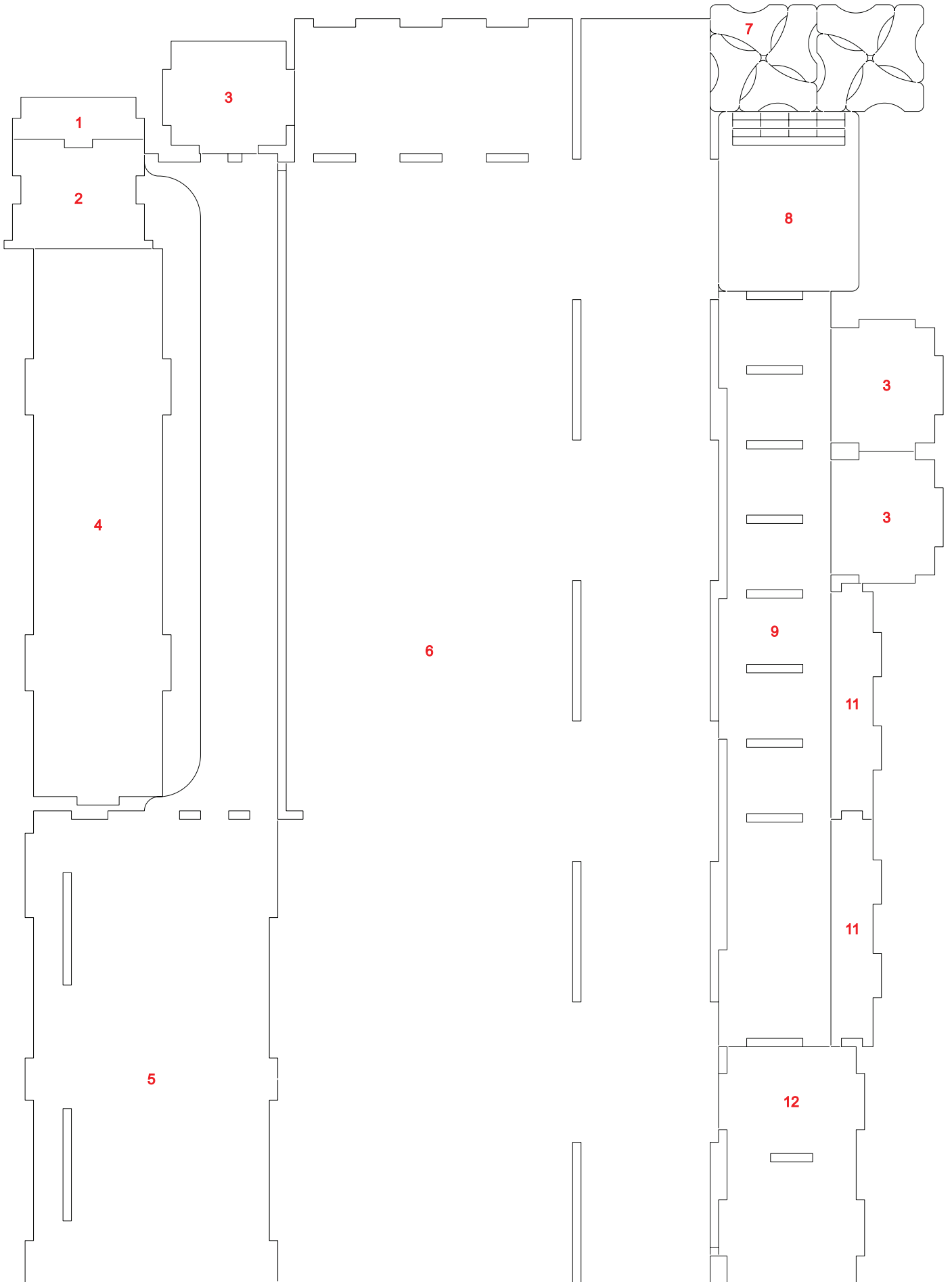
Turn 180° horizontally

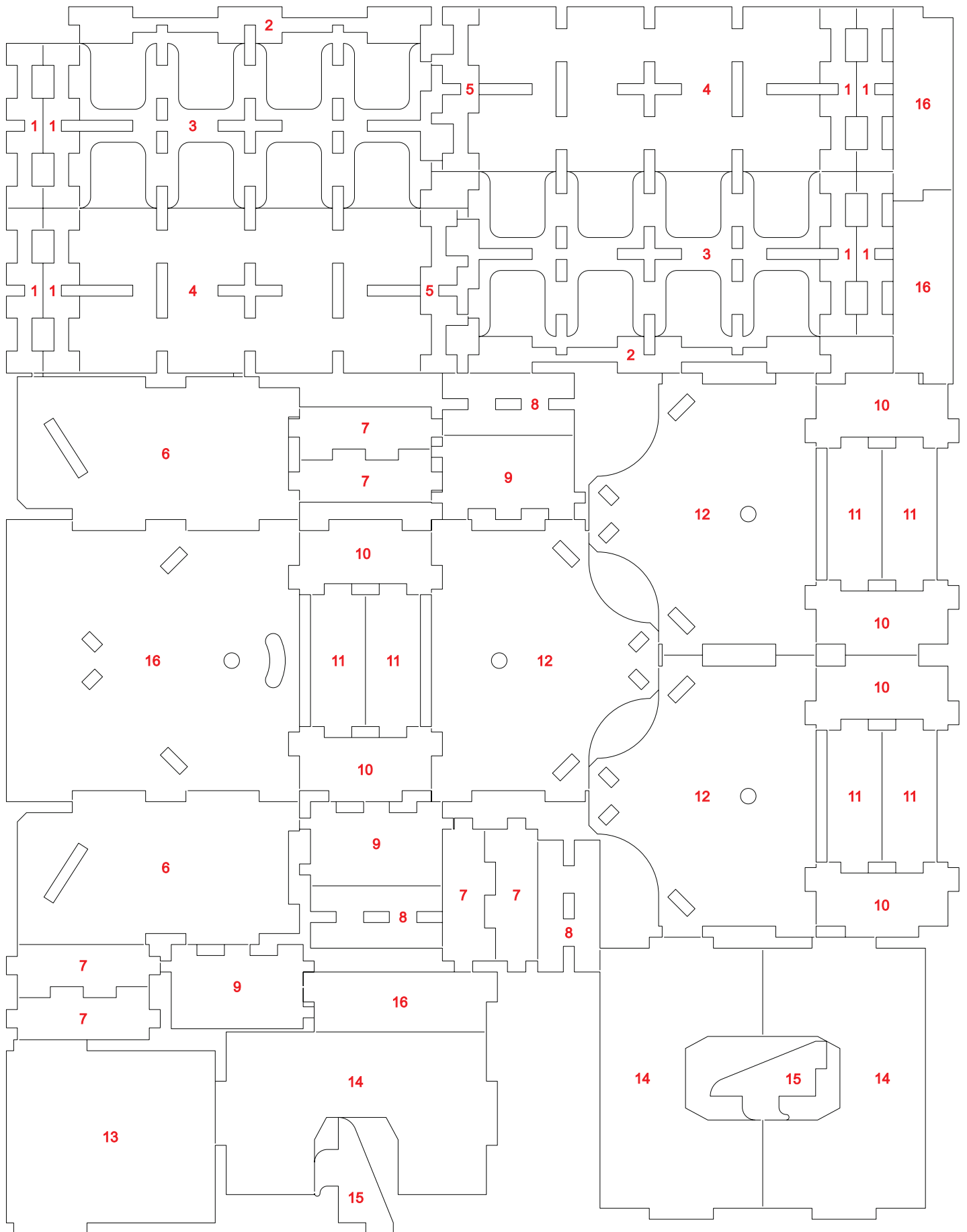


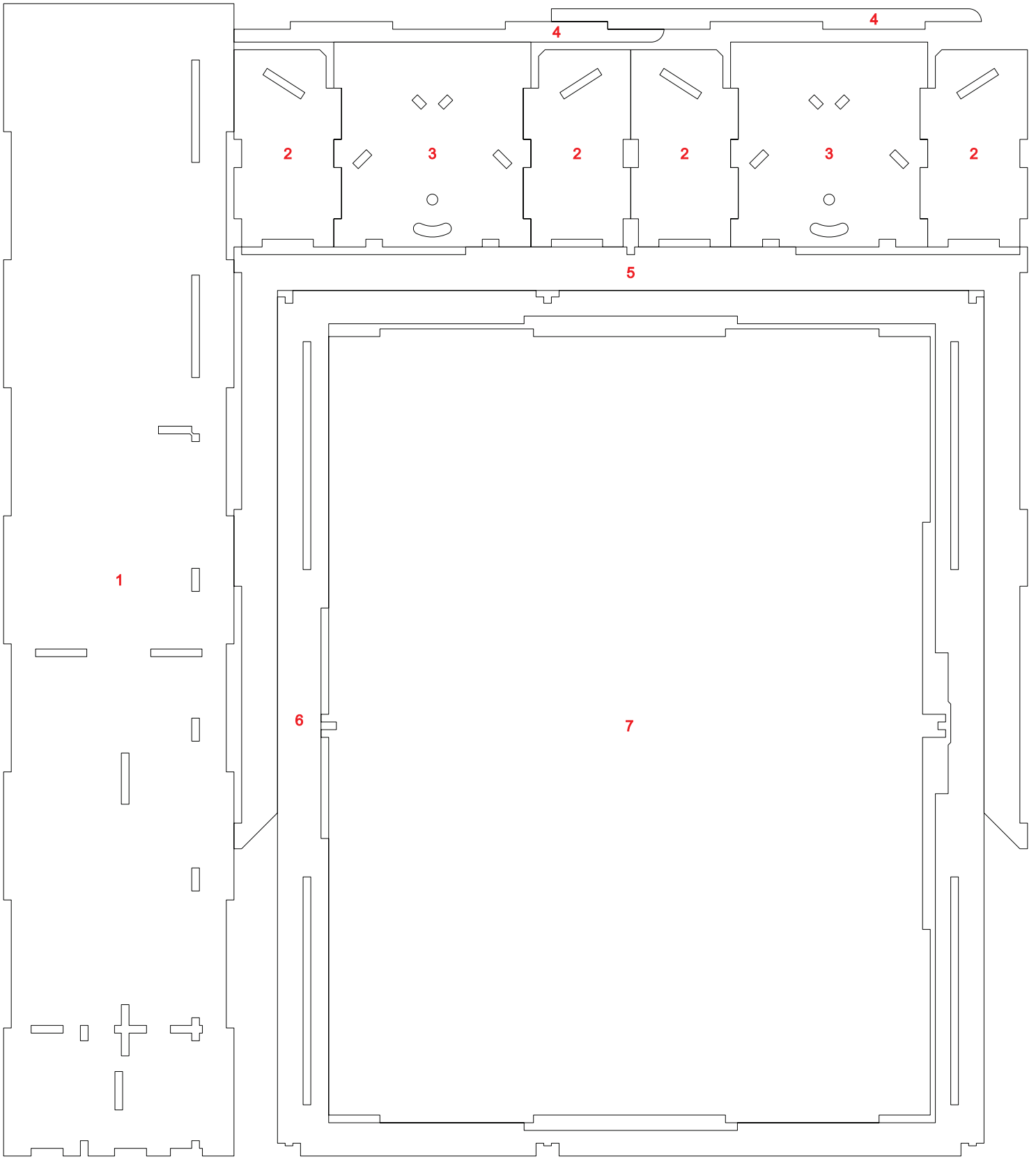
Warning: Choking hazard. Kit contains small parts.
Not suitable for children under 3 years old.

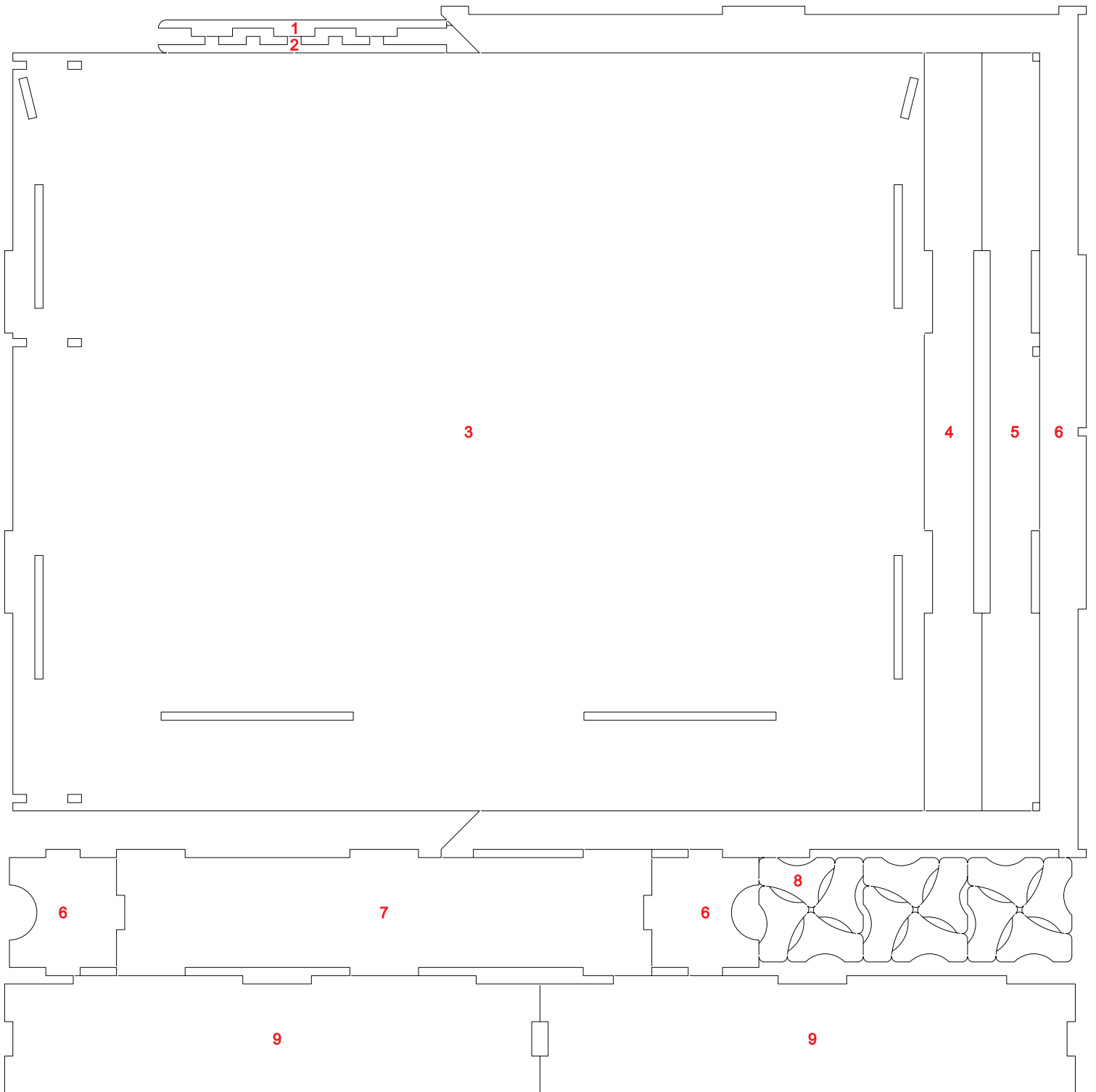


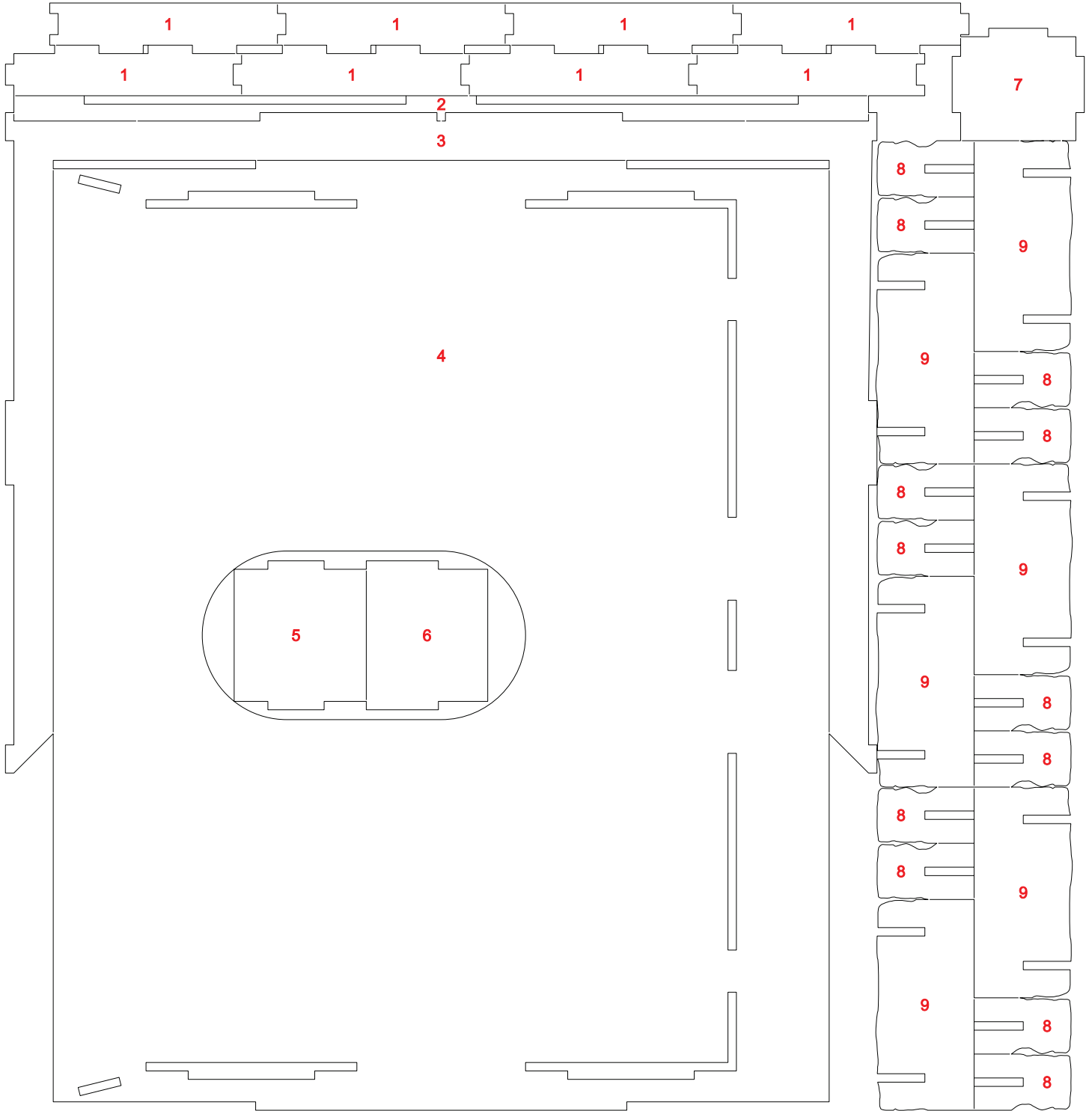


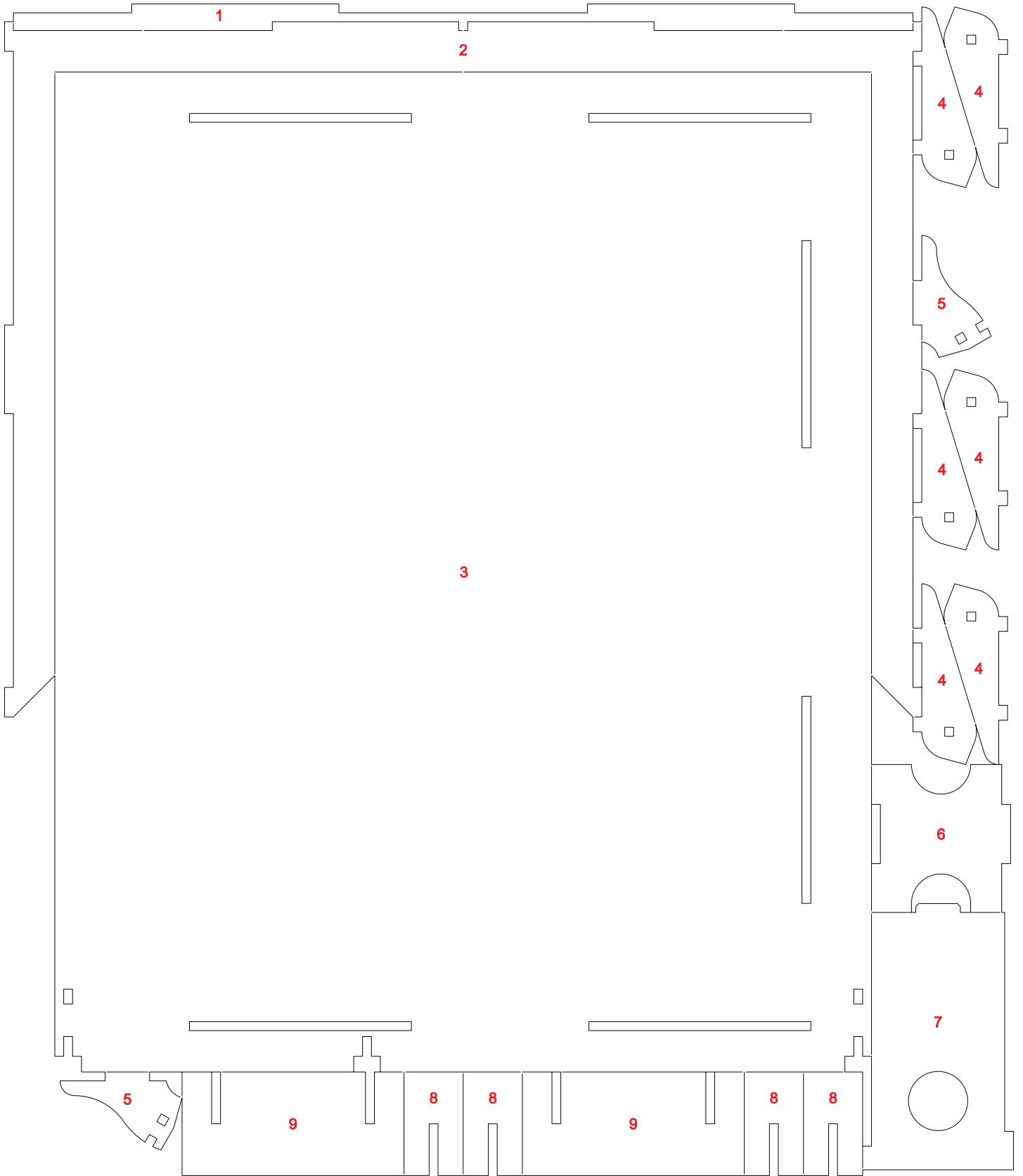


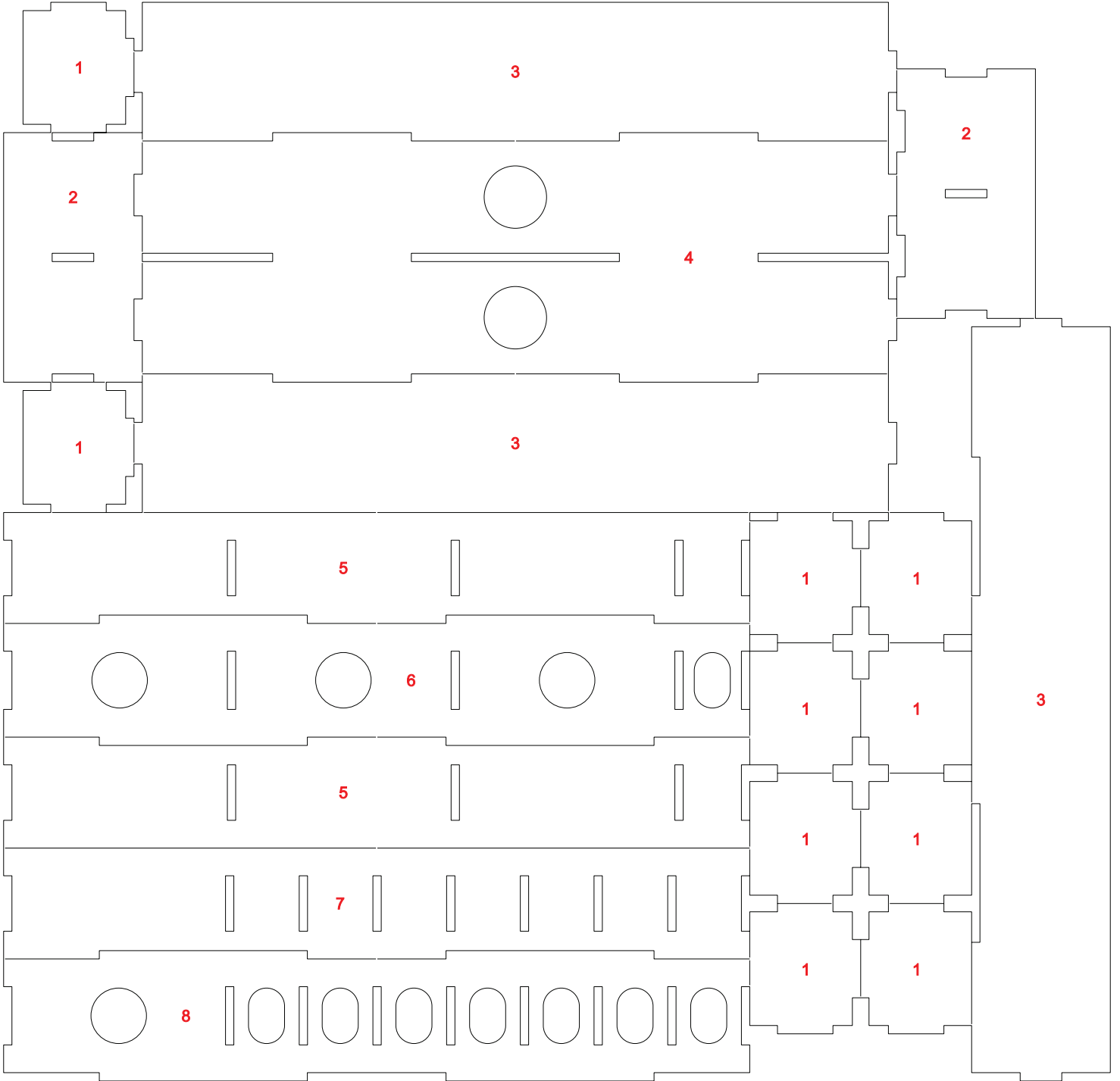


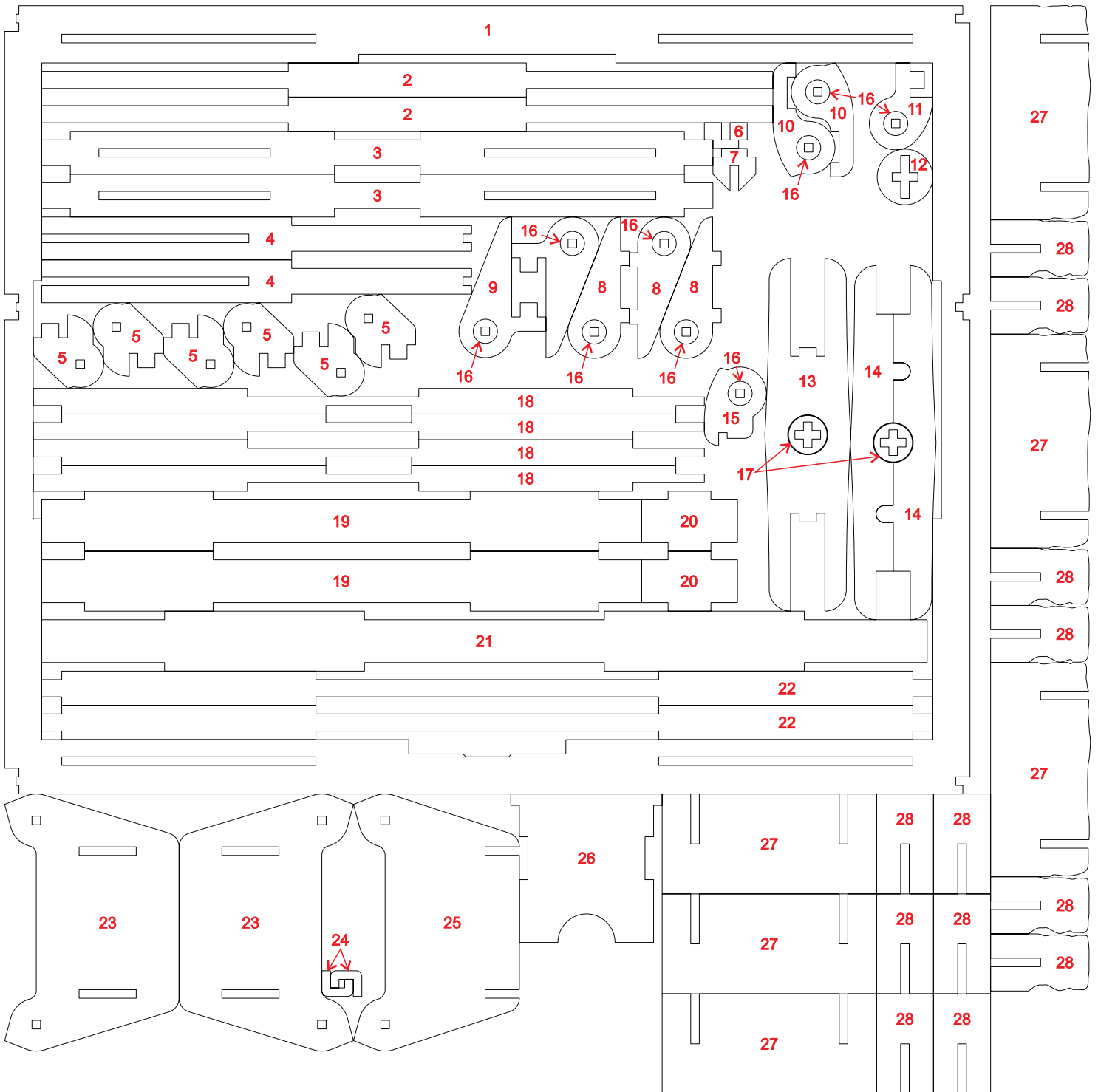




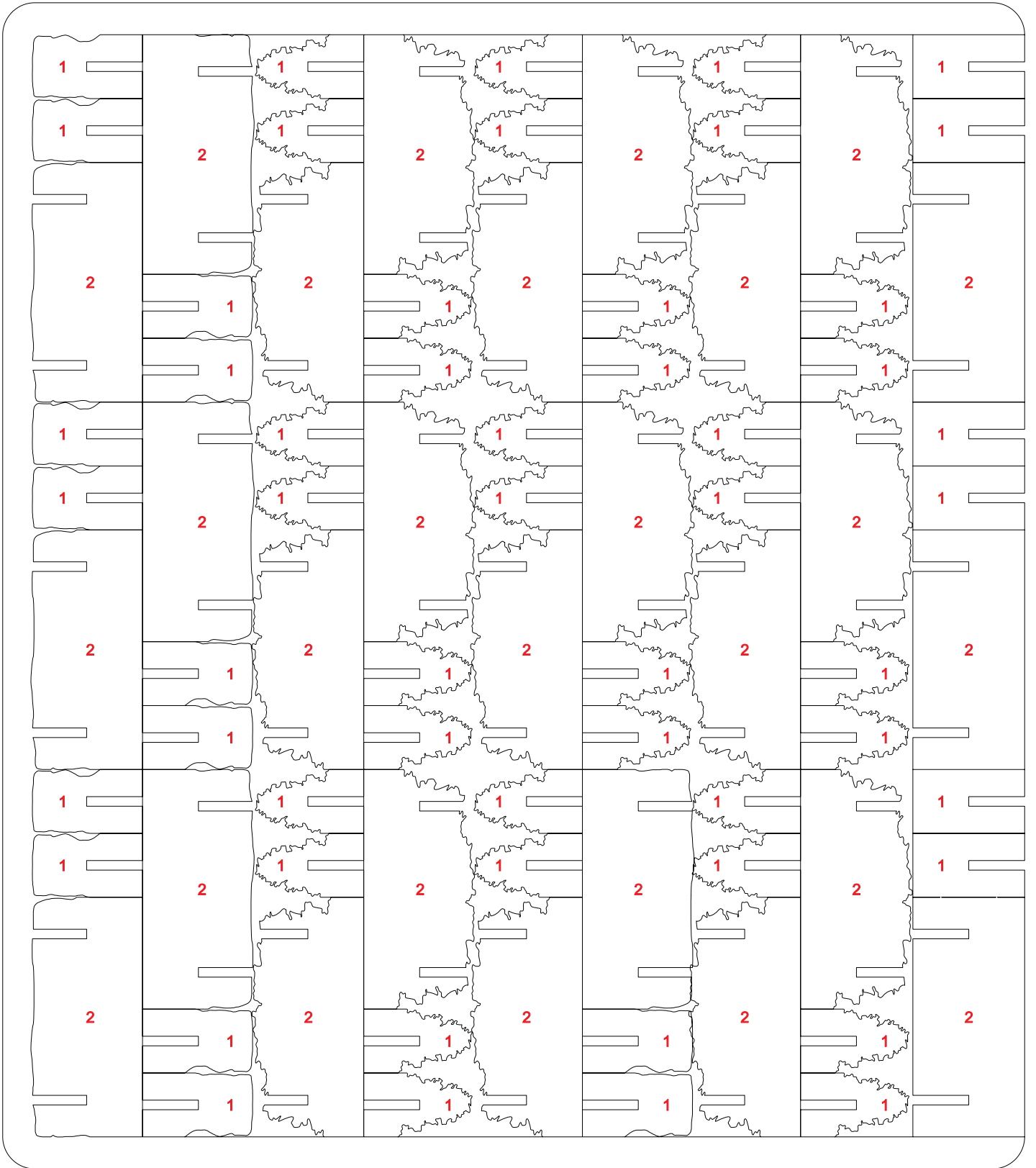




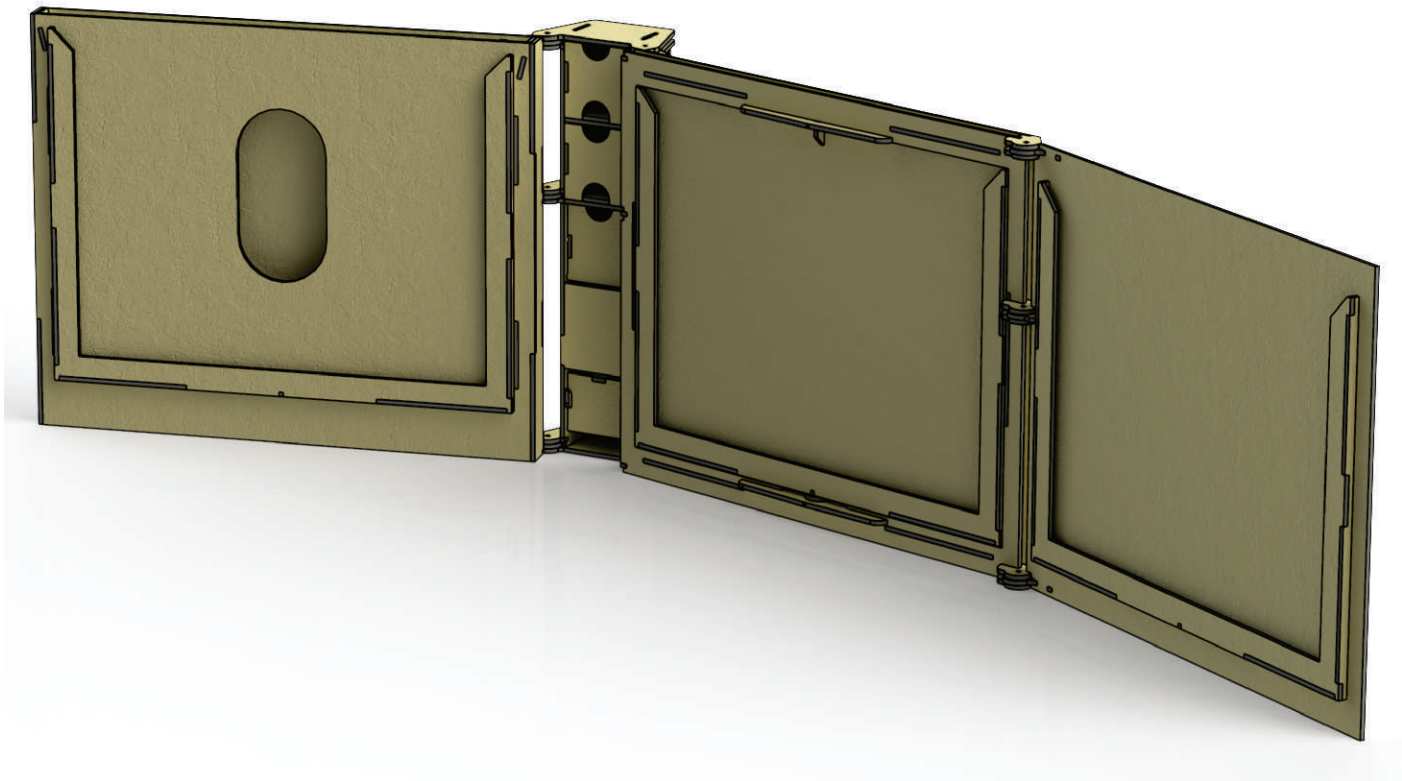








Game Master Screen

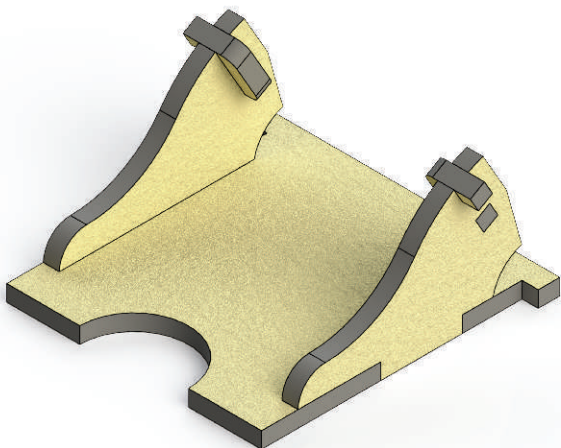
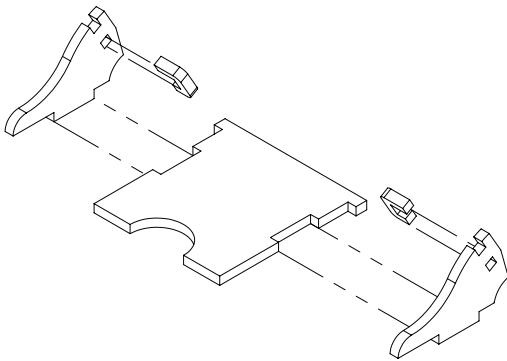
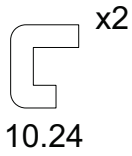
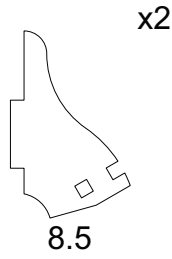
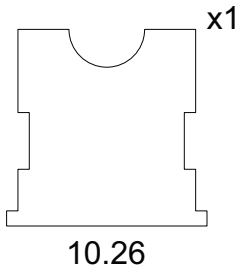


DMS-DT-A02



Parts

Sheets 8, 10

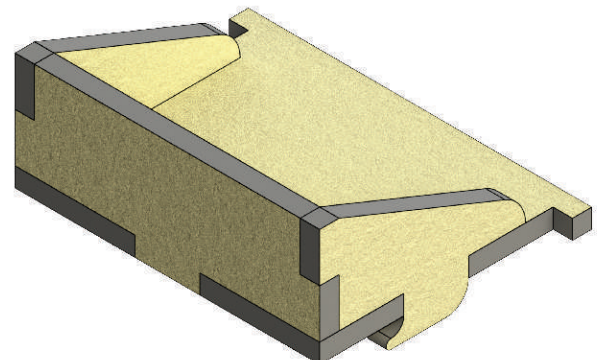
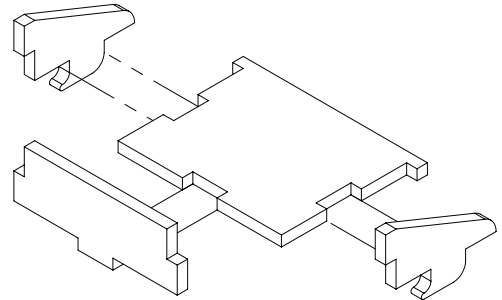
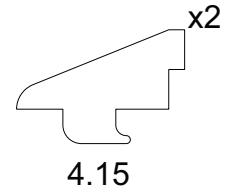
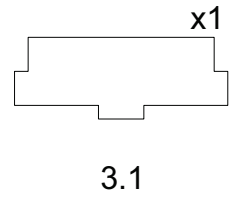
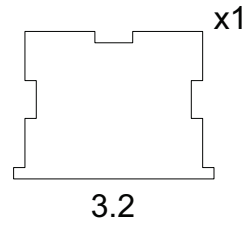


DMS-DT-A03



Parts

Sheets 3, 4

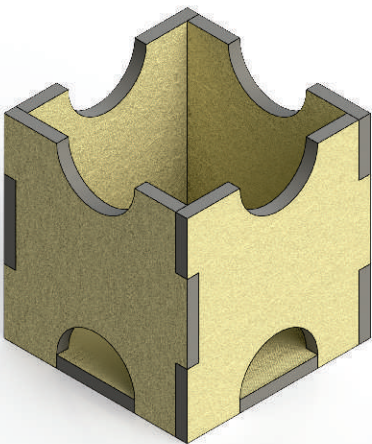
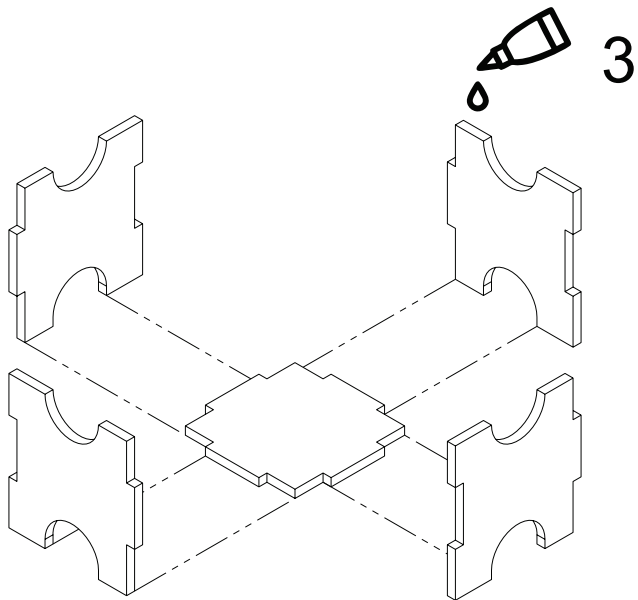
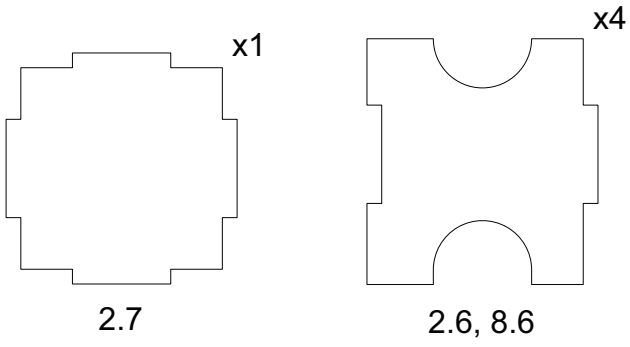


DMS-DT-A04



Parts

Sheets 2, 8



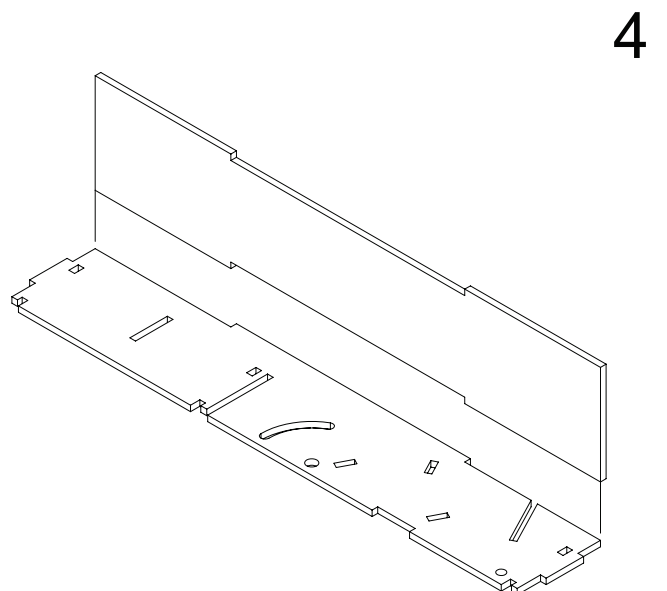
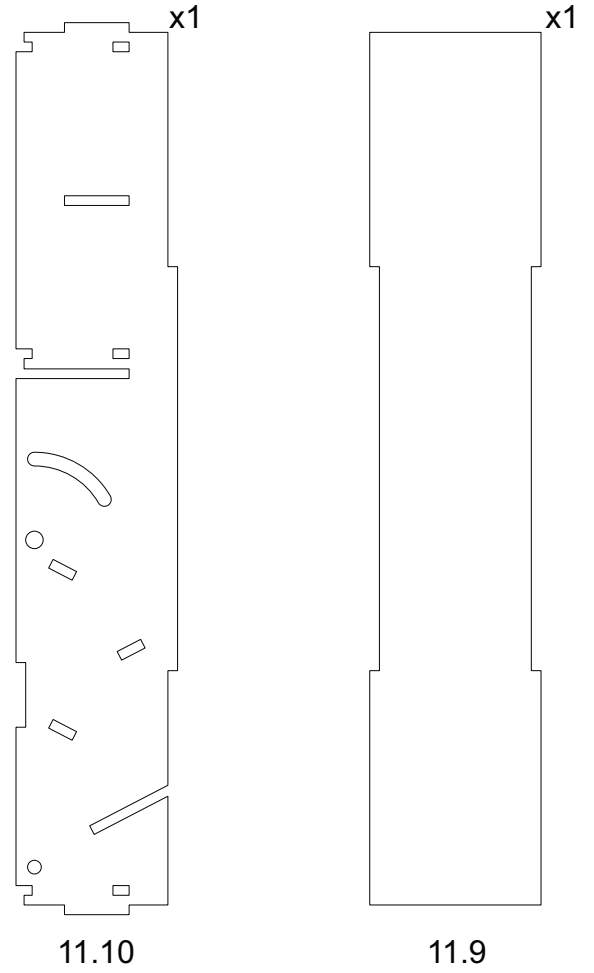
x2

DMS-DT-A01



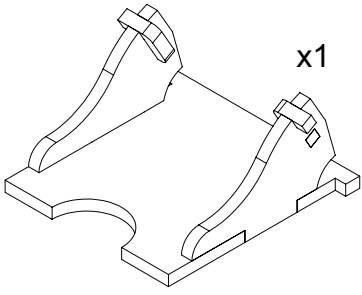
Parts

Sheet 11



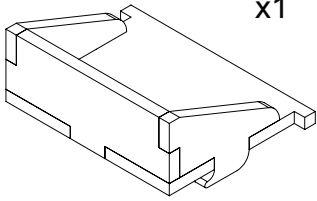
Parts

Sheets 4, 7



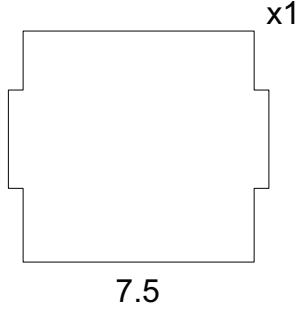
x1

DMS-DT-A02



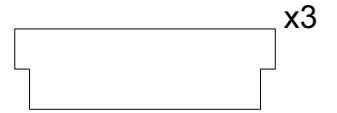
x1

DMS-DT-A03



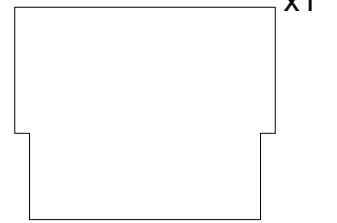
x1

7.5



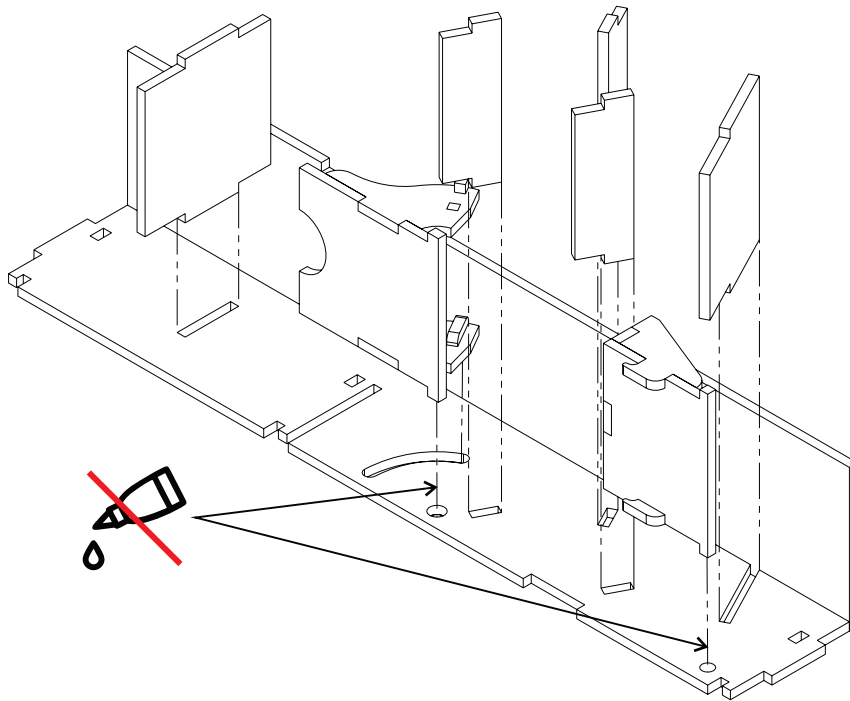
x3

4.16



x1

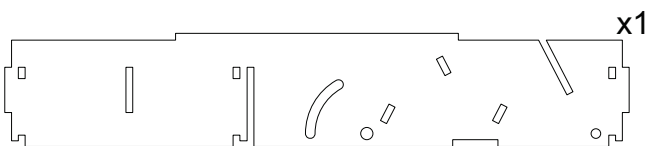
7.6



5

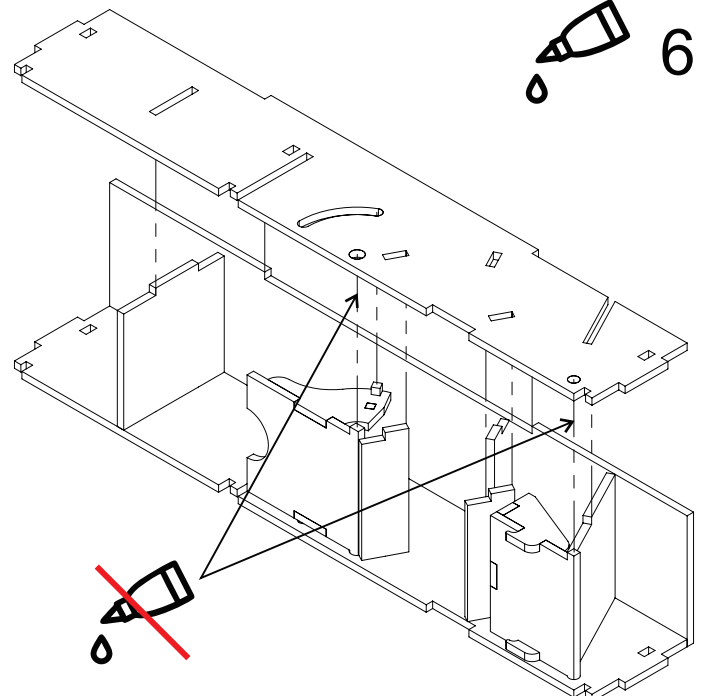
Parts

Sheet 11



x1

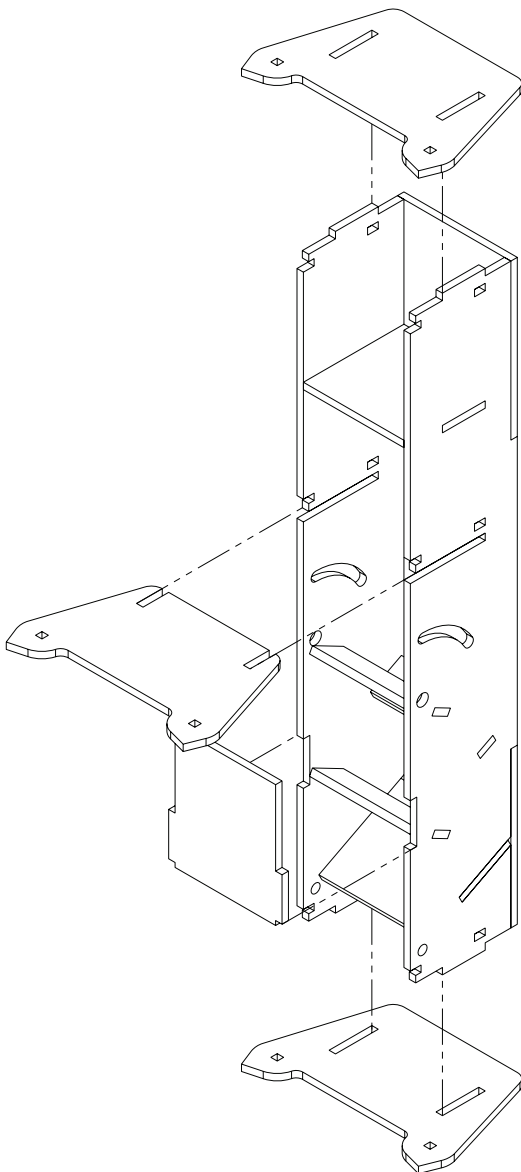
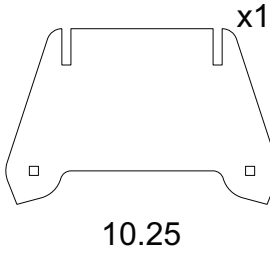
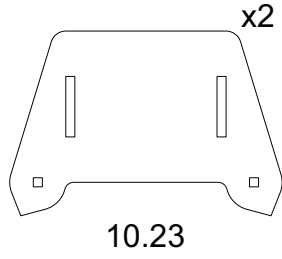
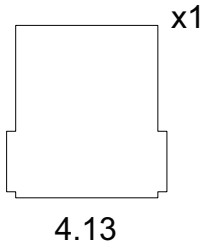
11.8



6

Parts

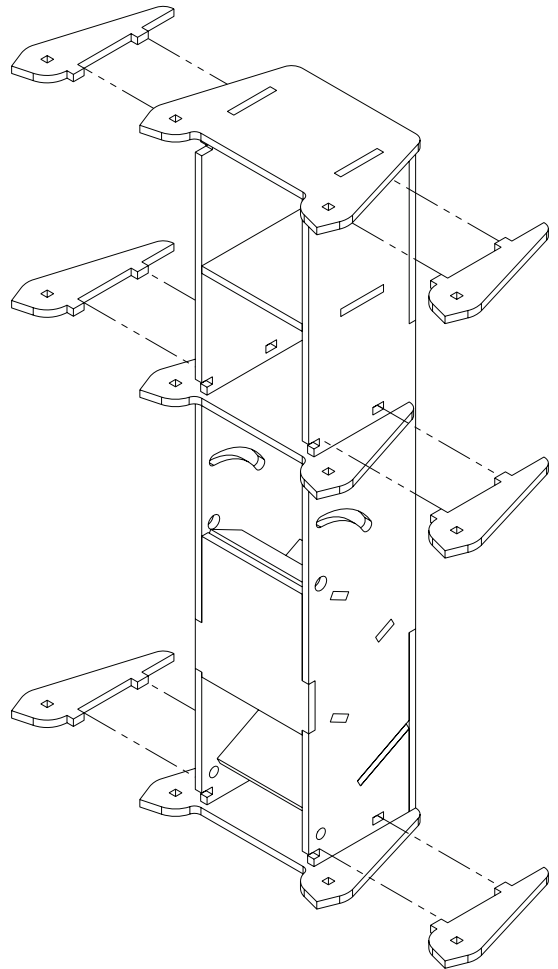
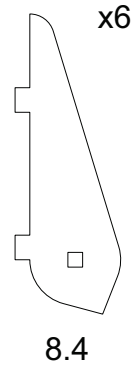
Sheets 4, 10



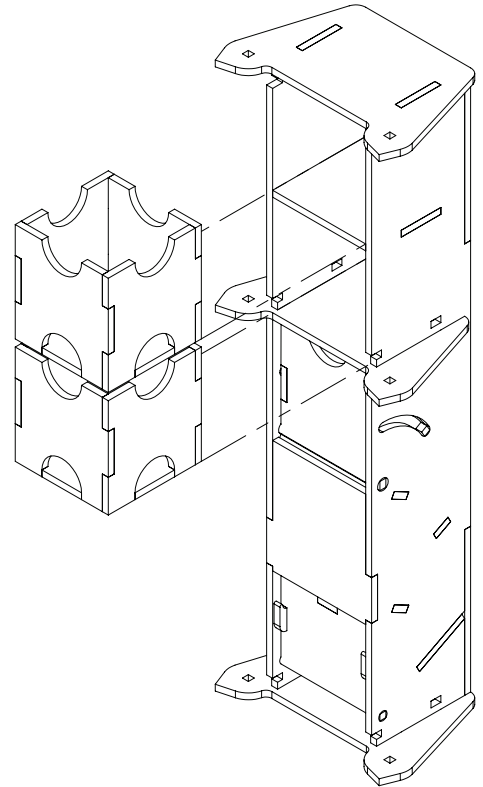
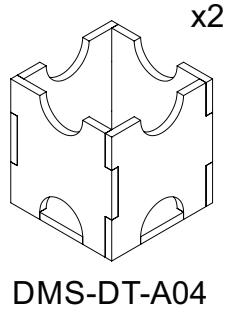
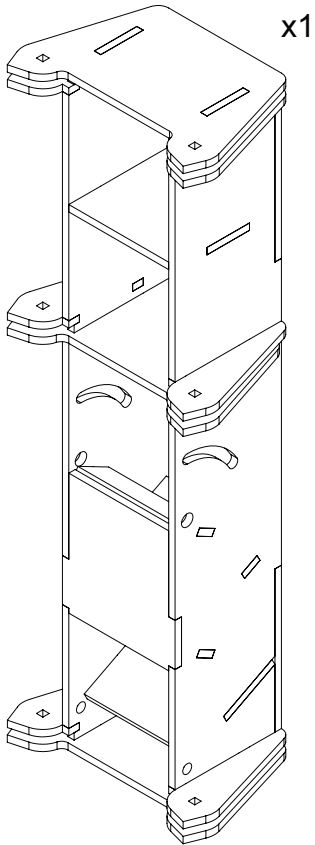
Flip Upright

Parts

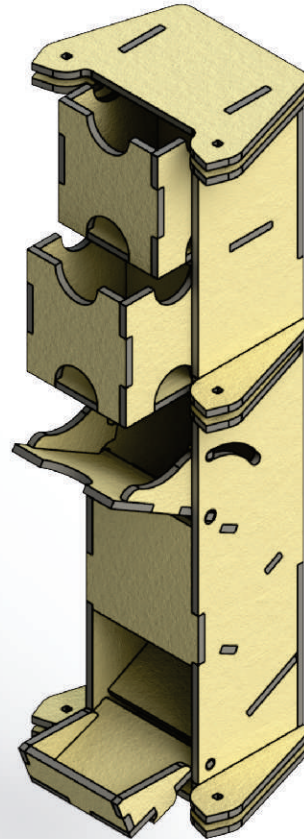
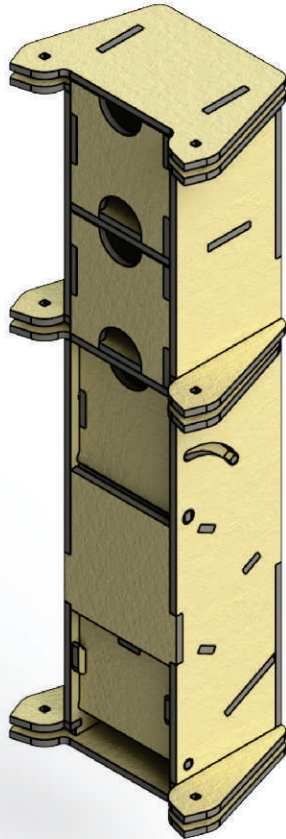
Sheet 8



GB-DMS-DT-A05 Parts



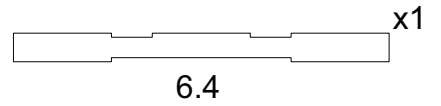
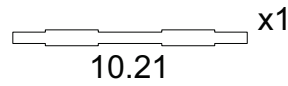
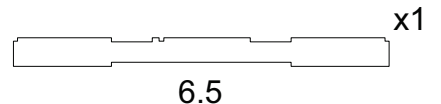
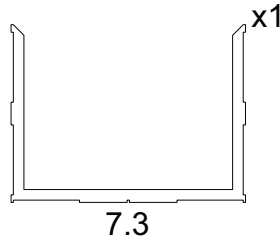
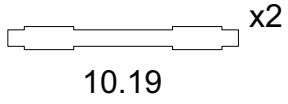
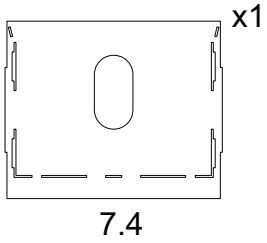
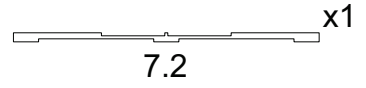
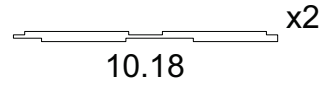
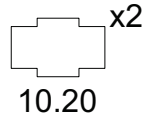
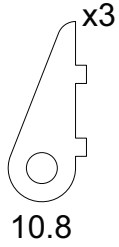
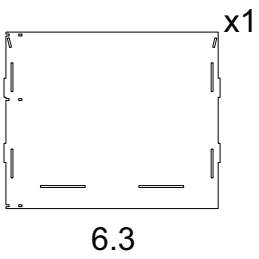
DMS-DT-A01



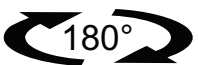
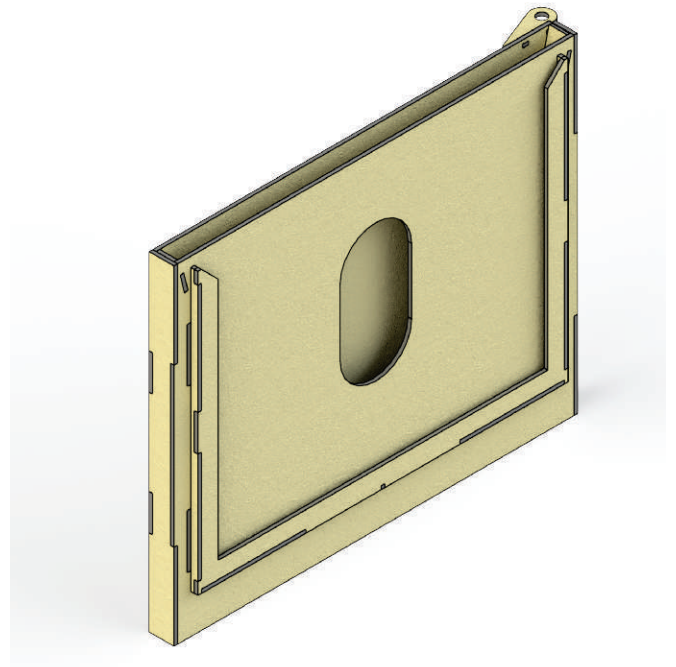
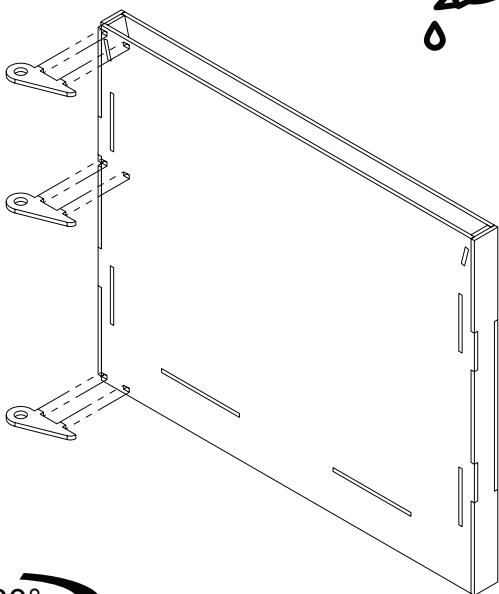
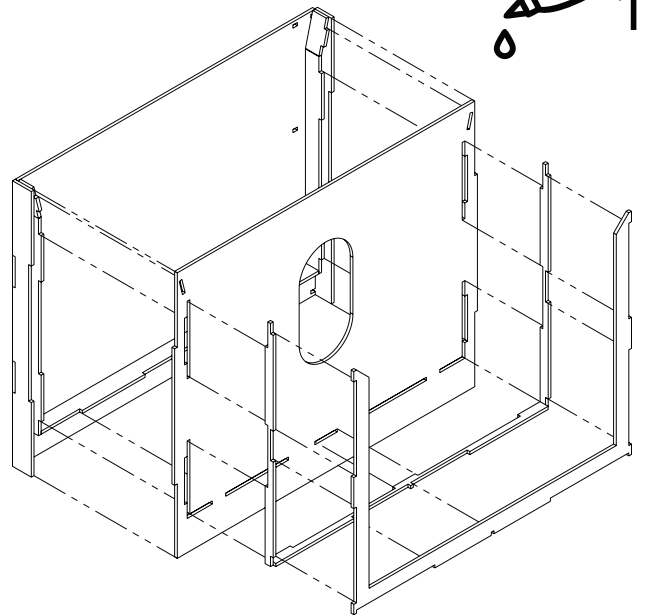
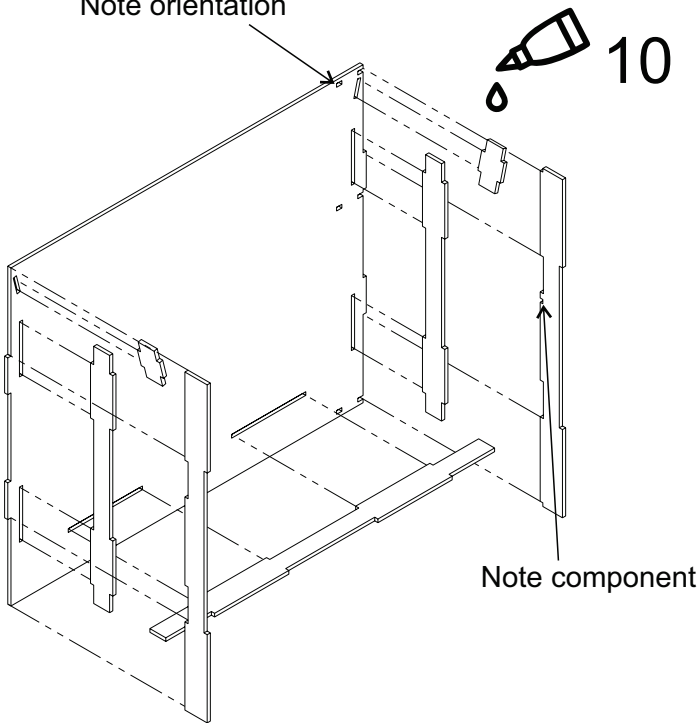
DMS-LS-A01

Parts

Sheets 6, 7, 10



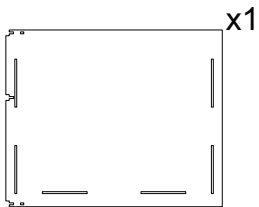
Note orientation



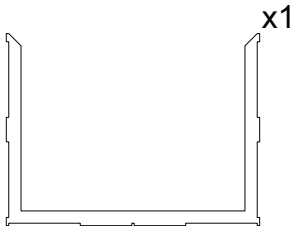
DMS-RS-A01

Parts

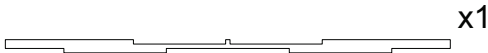
Sheets 8, 10



8.3



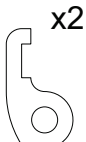
8.2



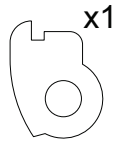
8.1



10.18



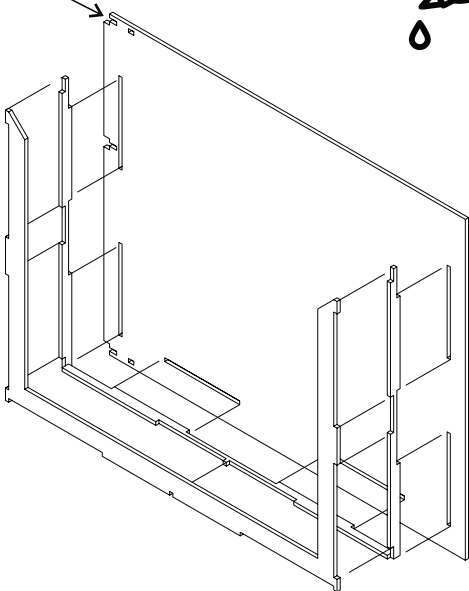
10.10



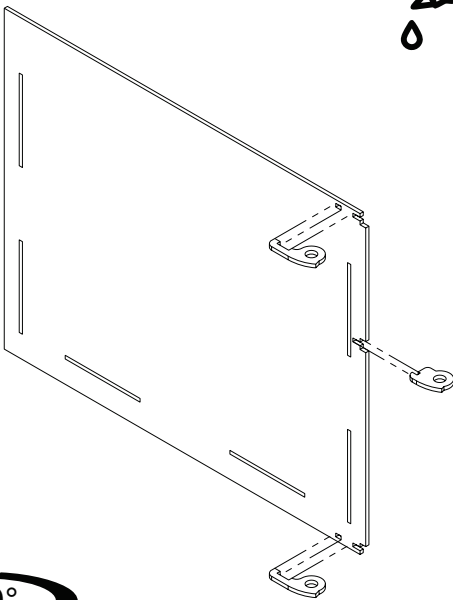
10.15



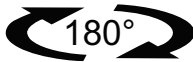
Note orientation



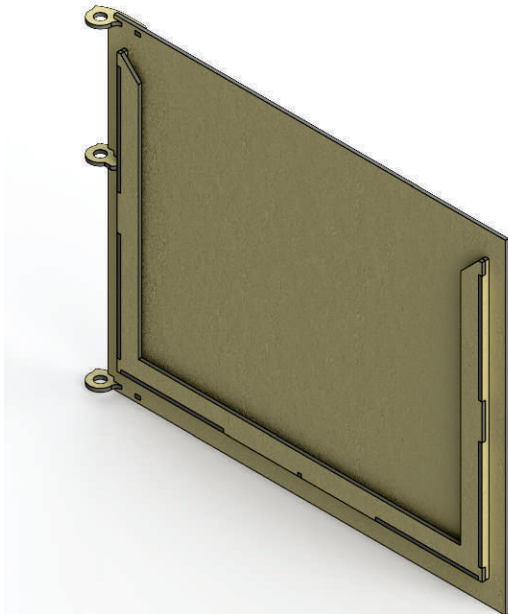
13



14



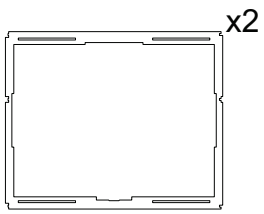
180°



DMS-SS-A01

Parts

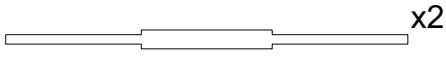
Sheets 5, 10



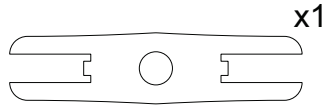
5.6, 10.1



10.22



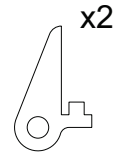
10.2



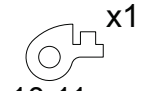
10.13



10.14



10.9



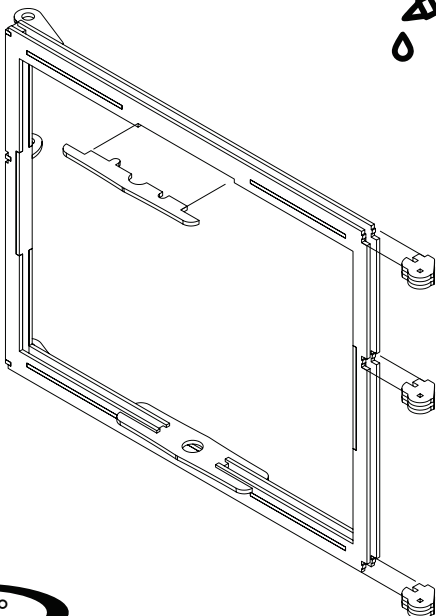
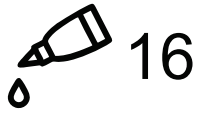
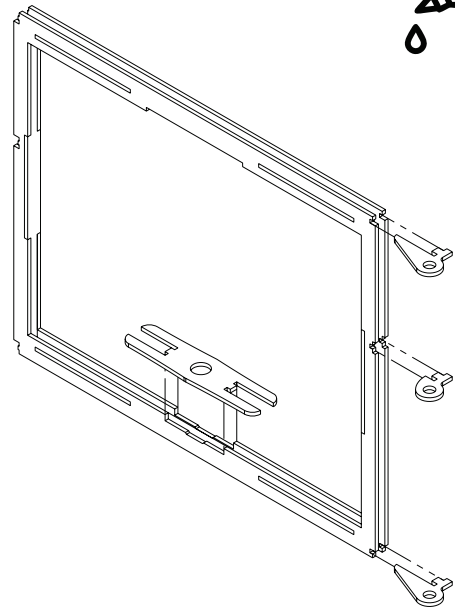
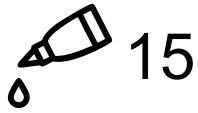
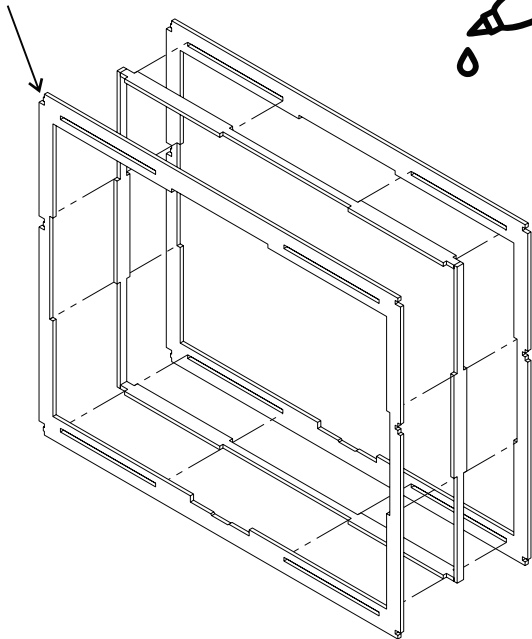
10.11



10.5



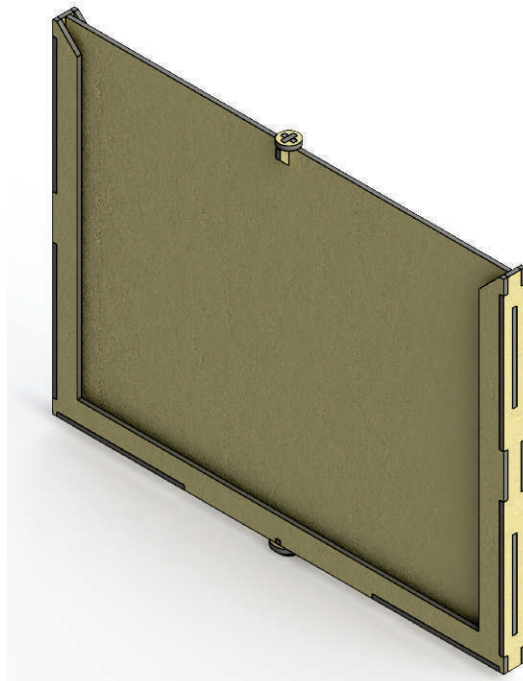
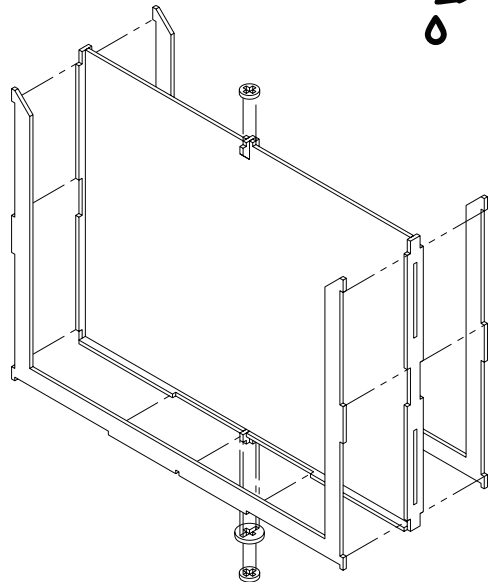
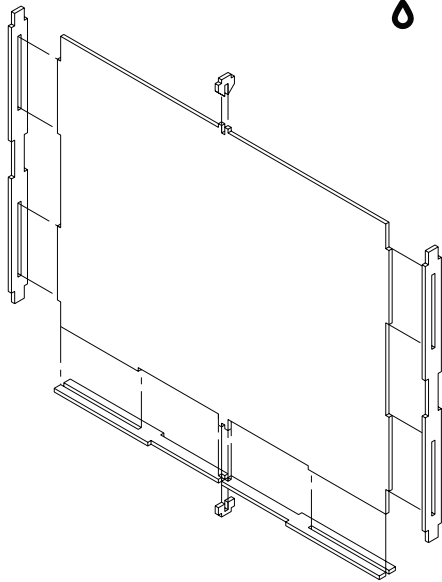
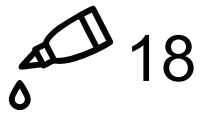
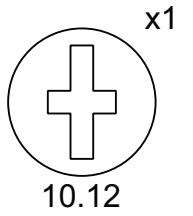
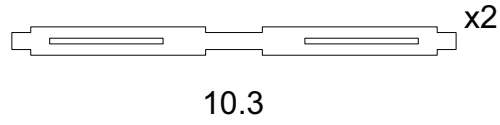
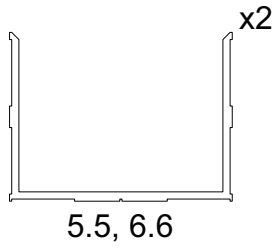
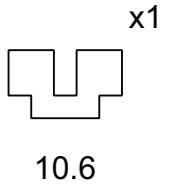
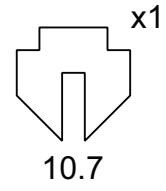
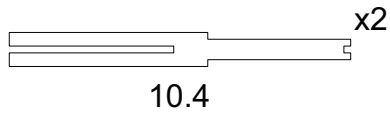
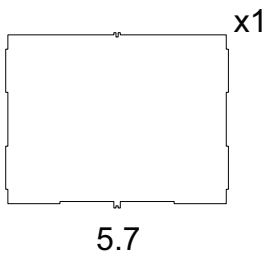
Note orientation



DMS-SS-A02

Parts

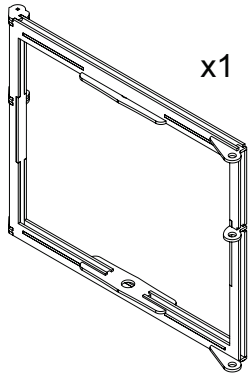
Sheets 5, 6, 10



DMS-SS-A03

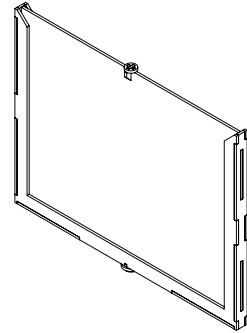
Parts

Sheet 10



x1

DMS-SS-A01



x1

DMS-SS-A02

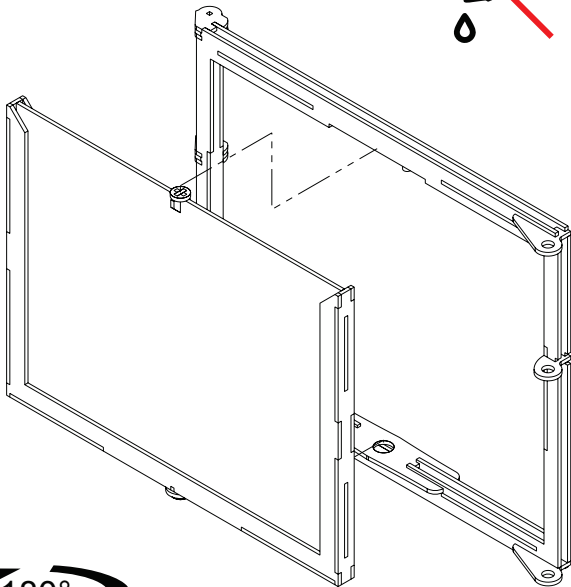


x1

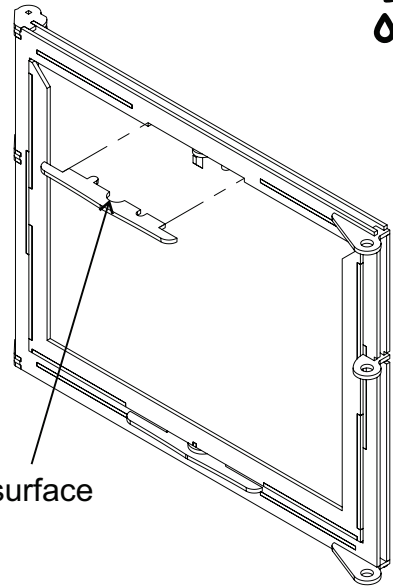
10.14



20



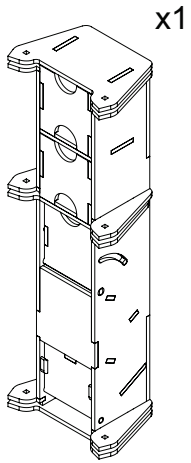
21




On round surface

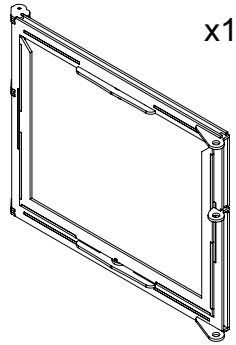


DMS-A01 Parts

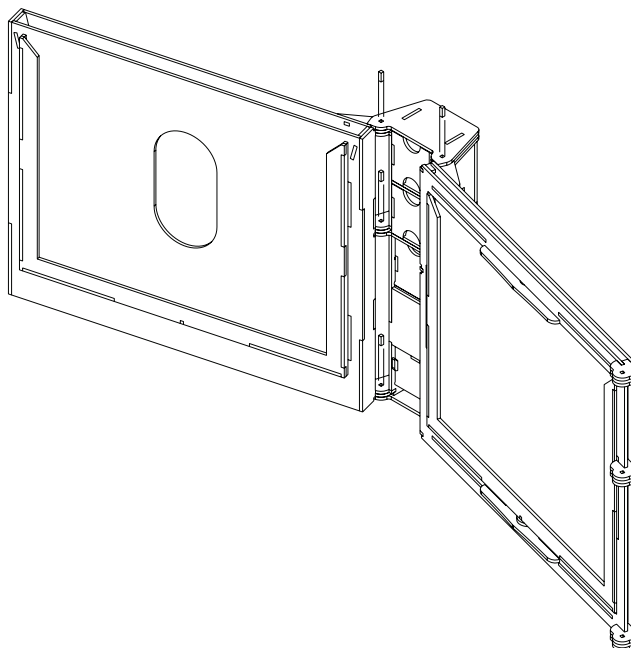
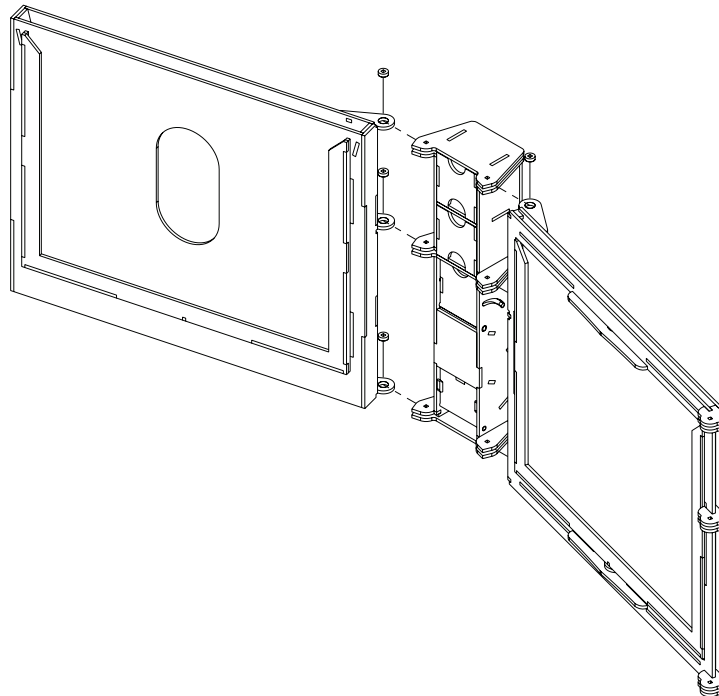
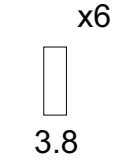
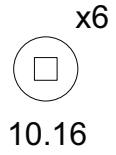


DMS-DT-A05

Sheets 3, 10



DMS-SS-A03

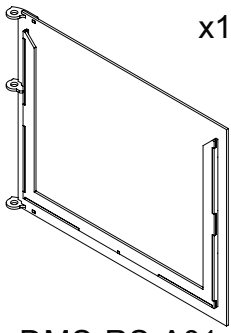


Parts

Sheets 3, 10

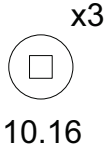


~~23~~



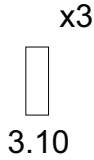
x1

DMS-RS-A01



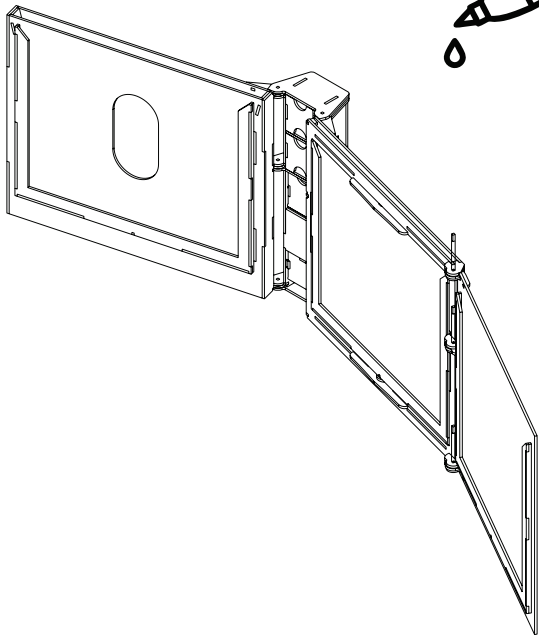
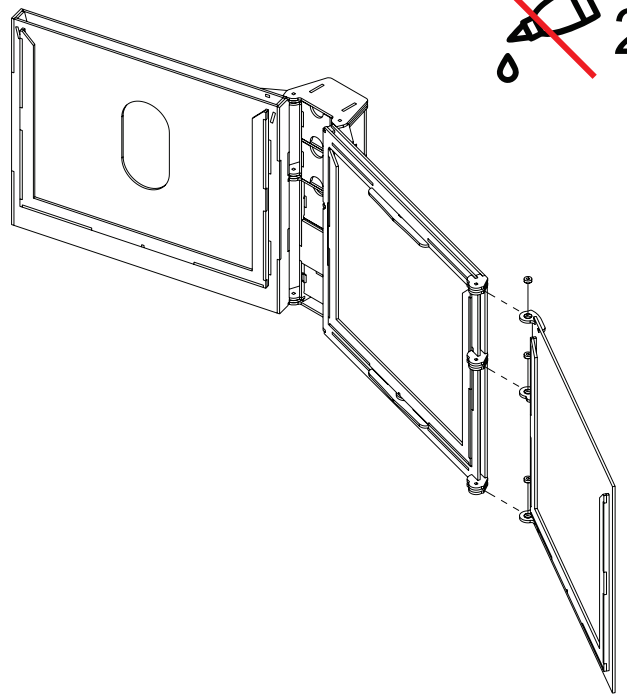
x3

10.16

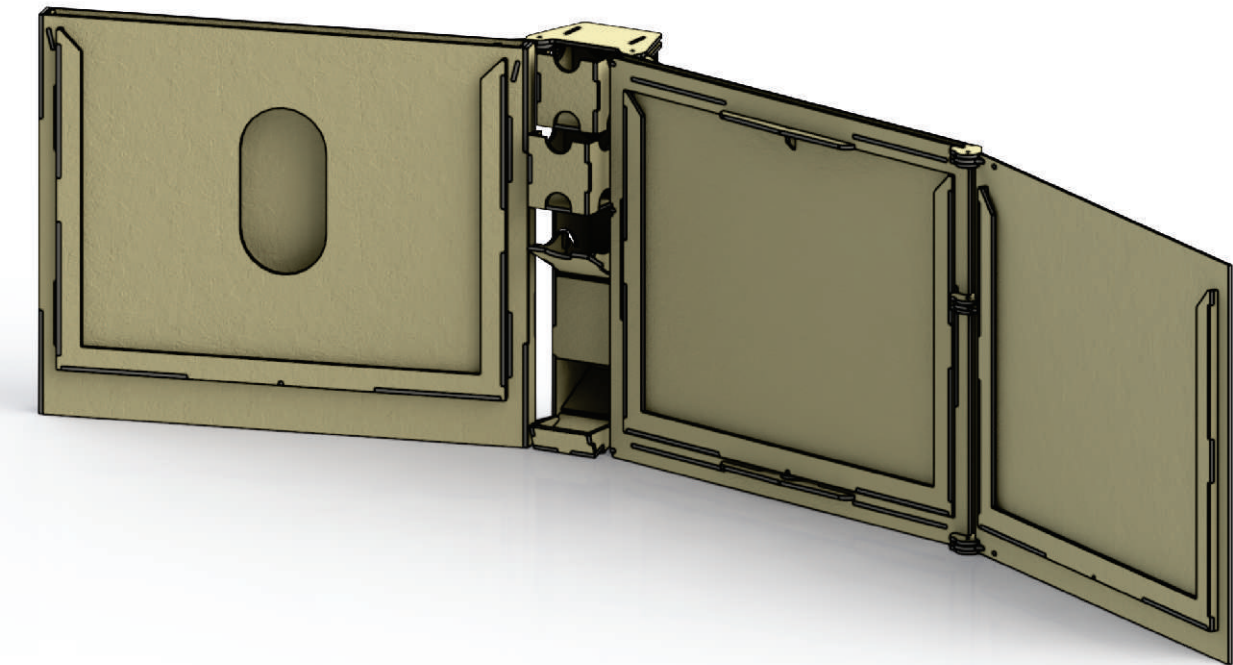
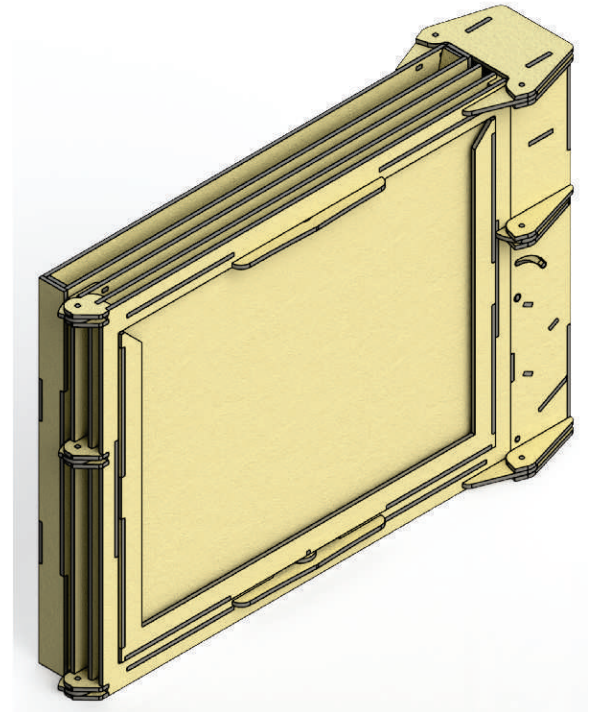


x3

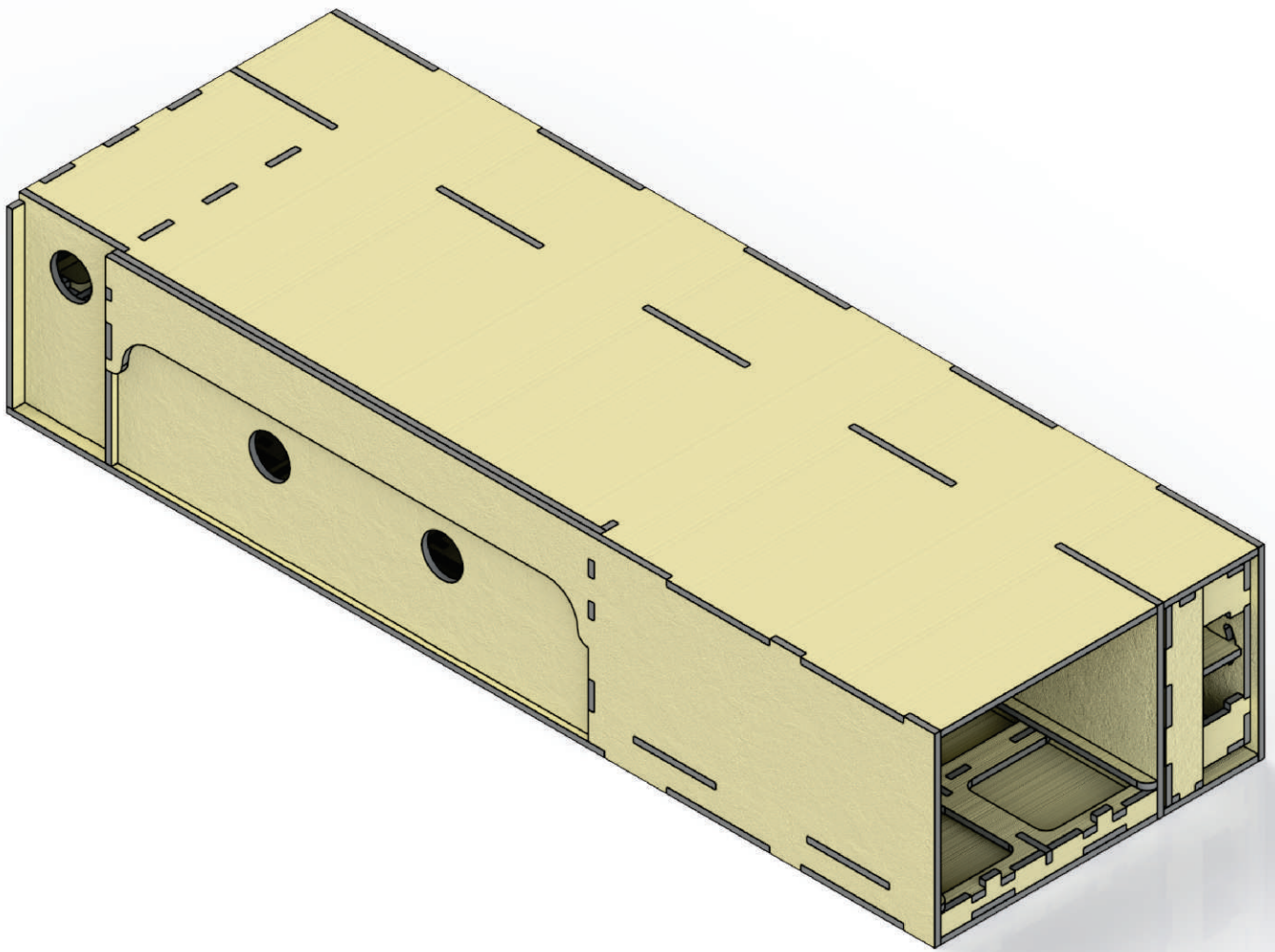
3.10



~~24~~



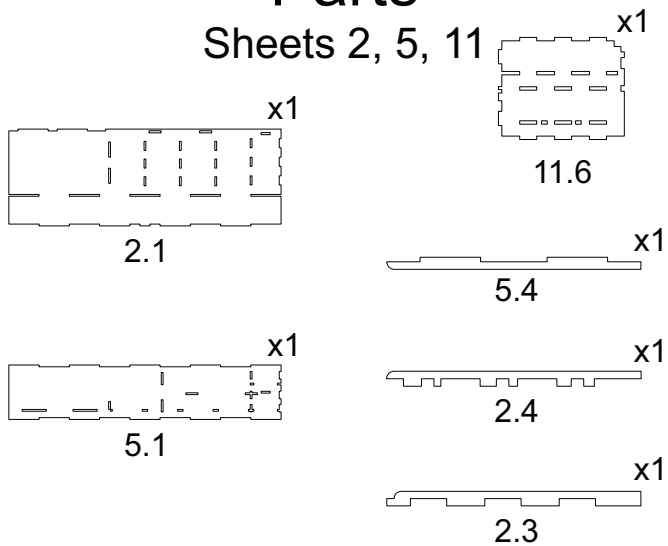
Miniature Storage Box



MS-B-A01

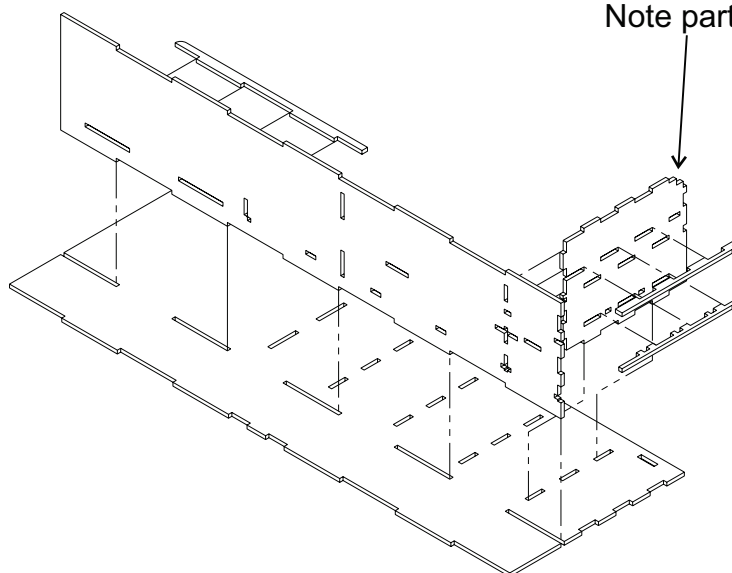
Parts

Sheets 2, 5, 11



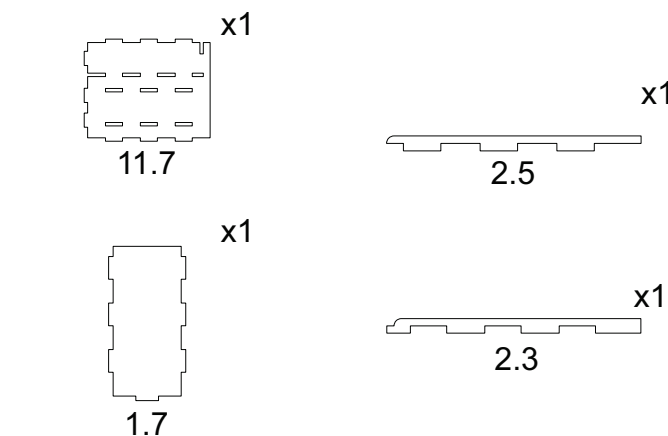
 25

Note part



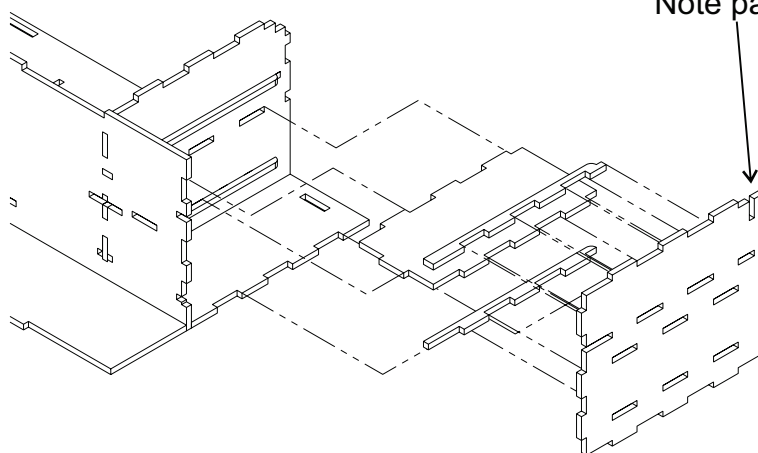
Parts

Sheets 1, 2, 11



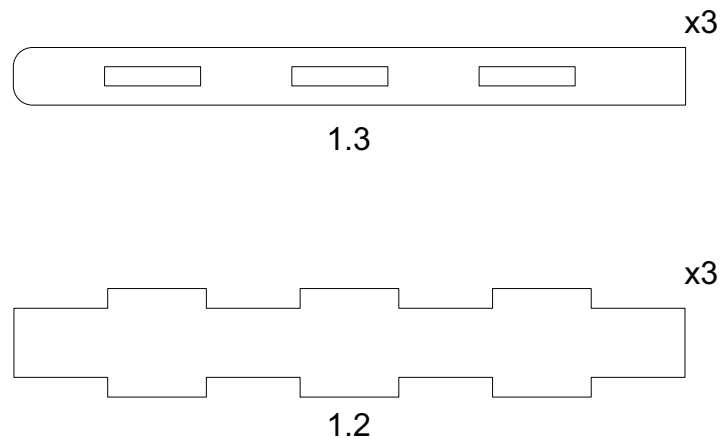
 26

Note part



Parts

Sheet 1

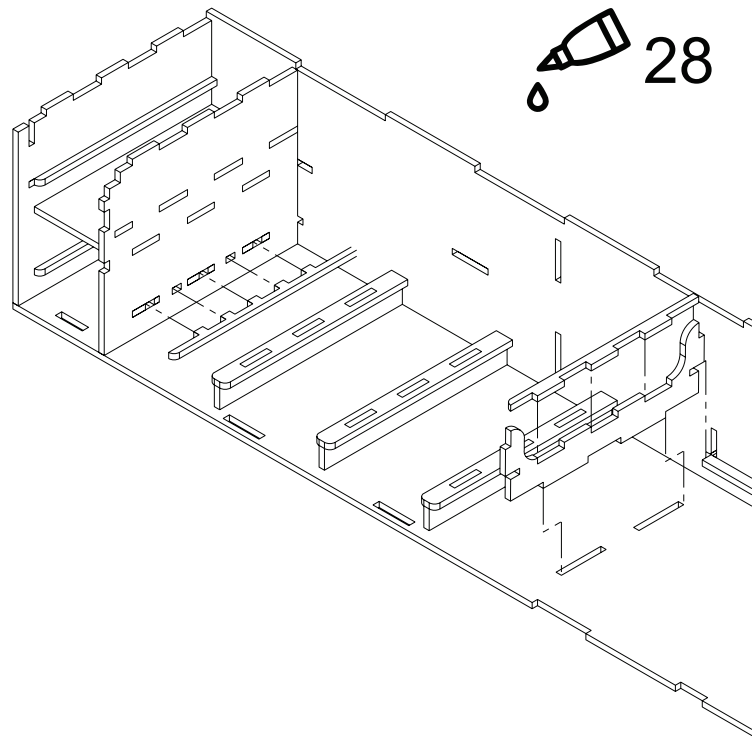
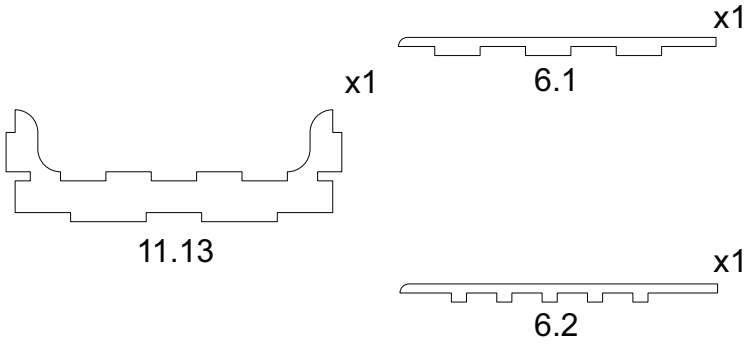


 27

 180°

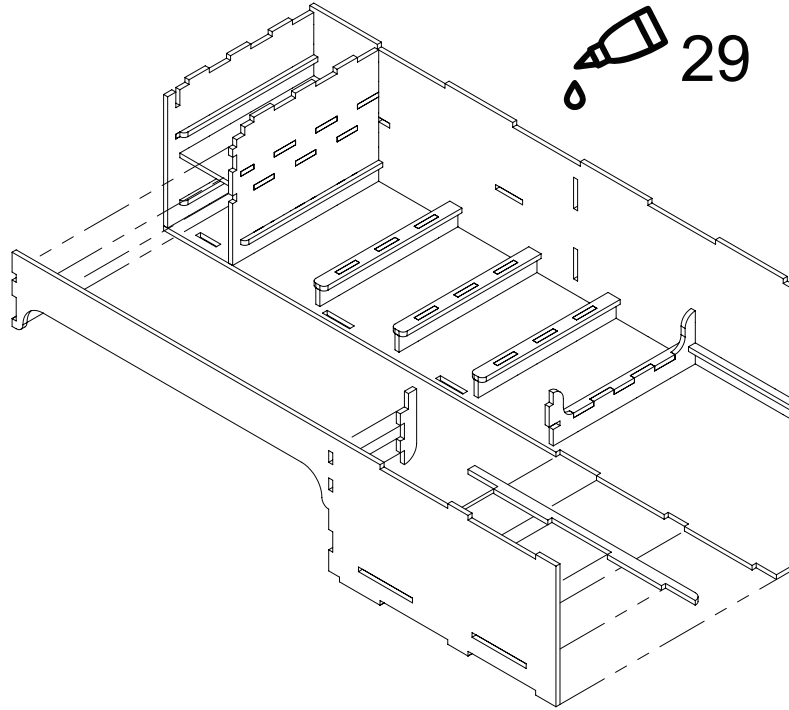
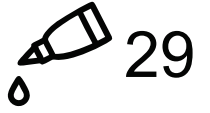
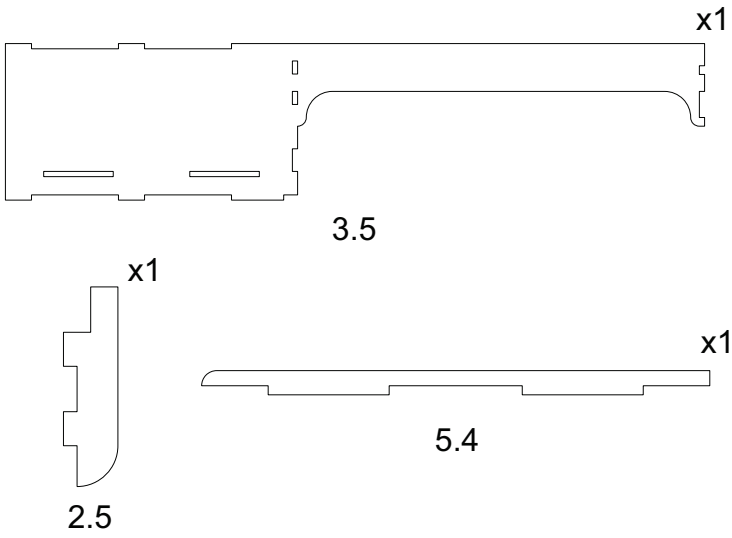
Parts

Sheets 6, 11



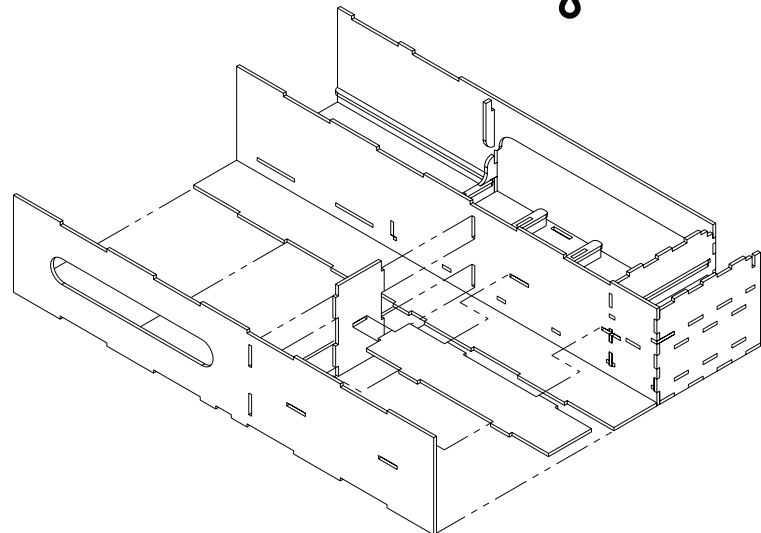
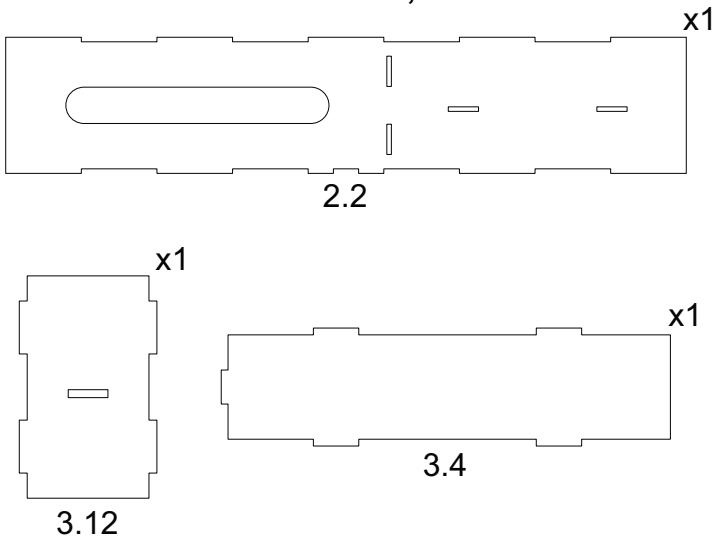
Parts

Sheets 2, 3, 5



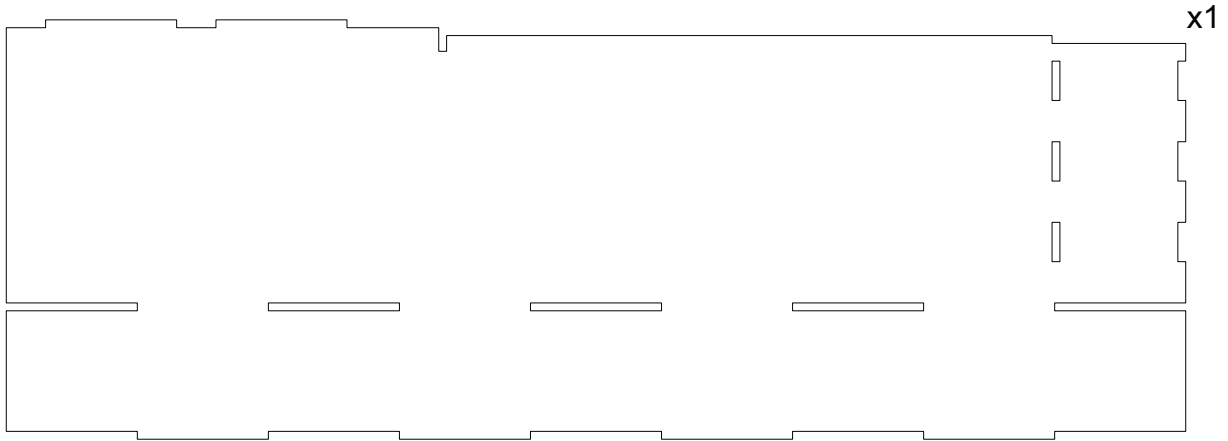
Parts

Sheets 2, 3



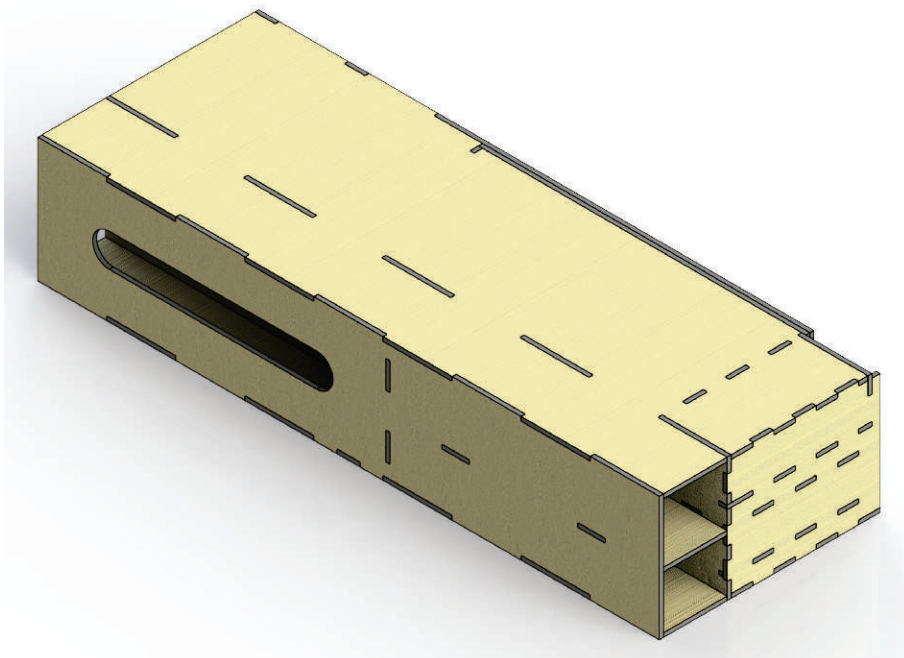
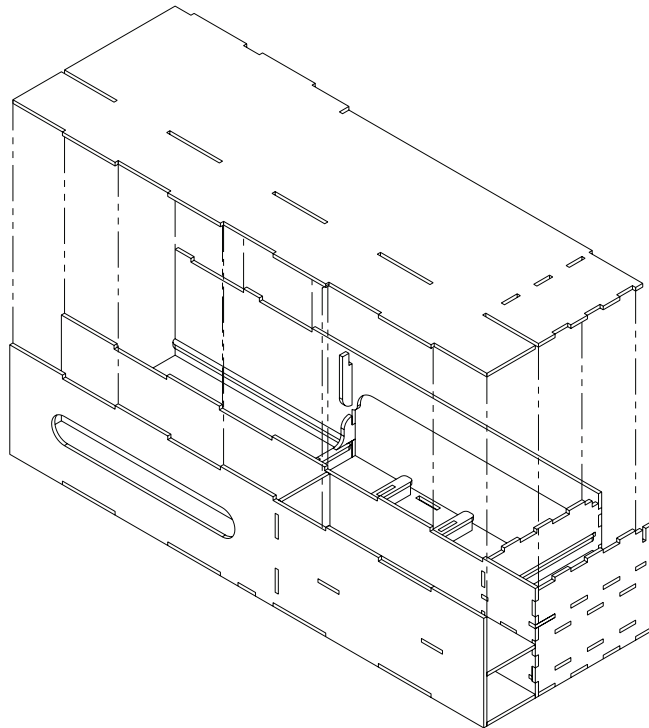
Parts

Sheet 3




3.6

 31

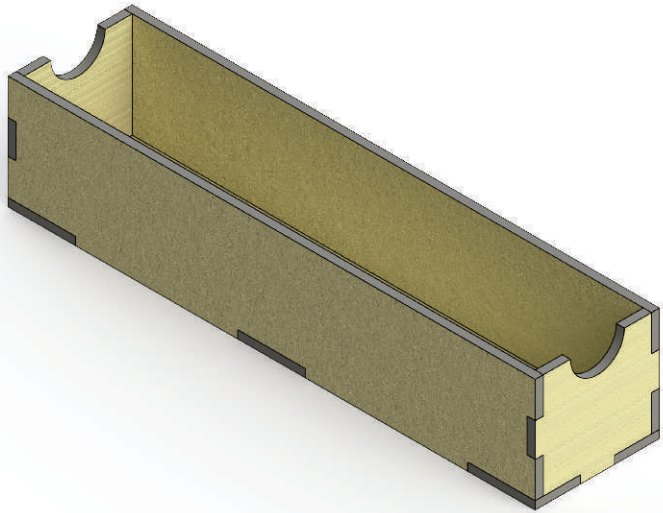
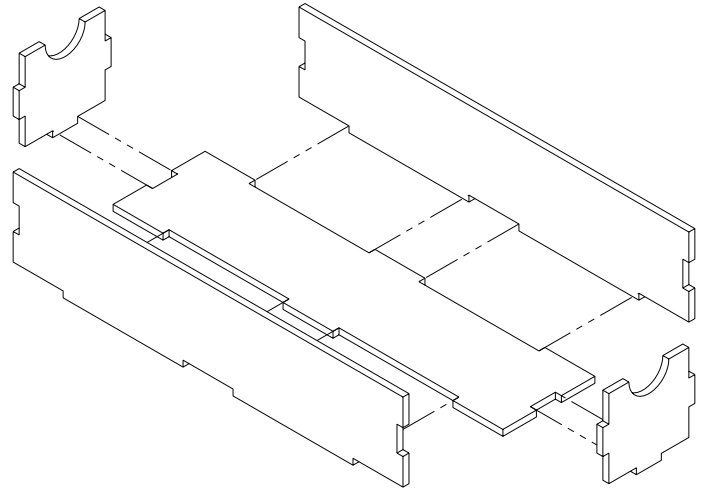
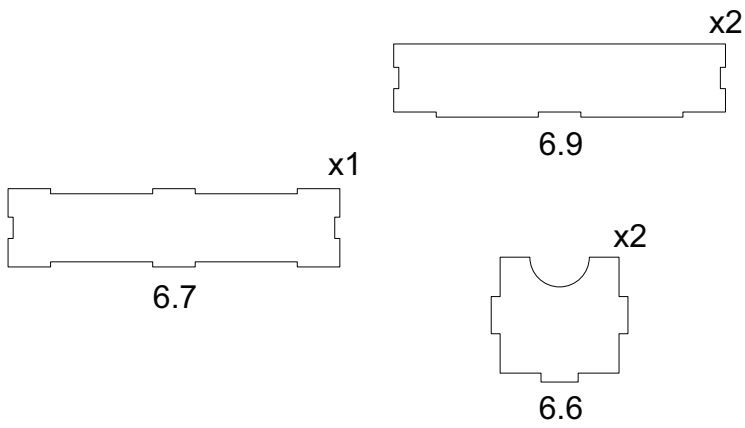


MS-AD2-A01



 32

Parts Sheet 6



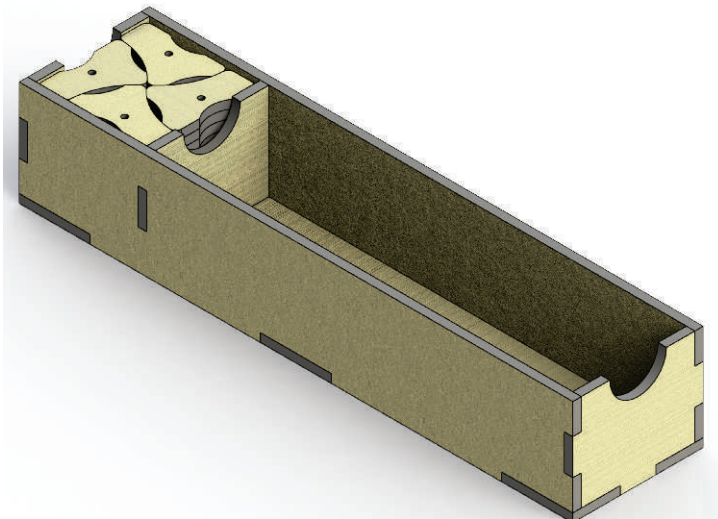
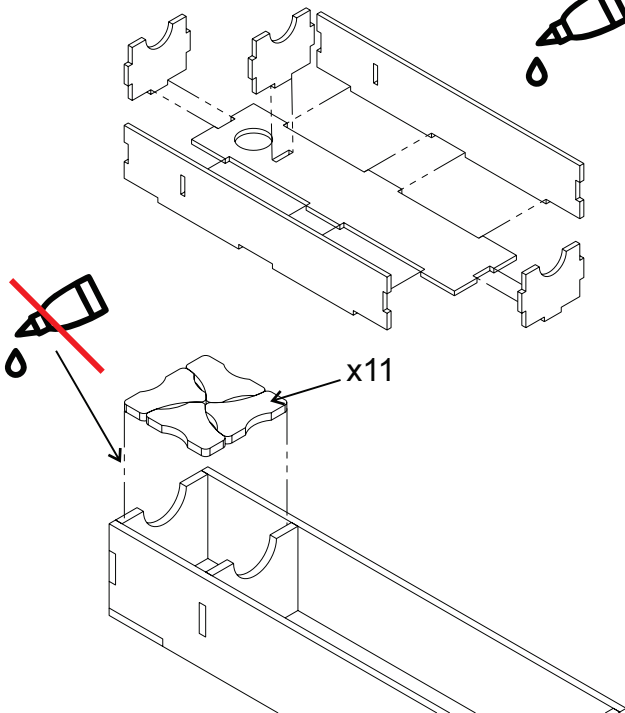
MS-AD1-A01



Parts Sheets 1, 3, 6, 11



 33

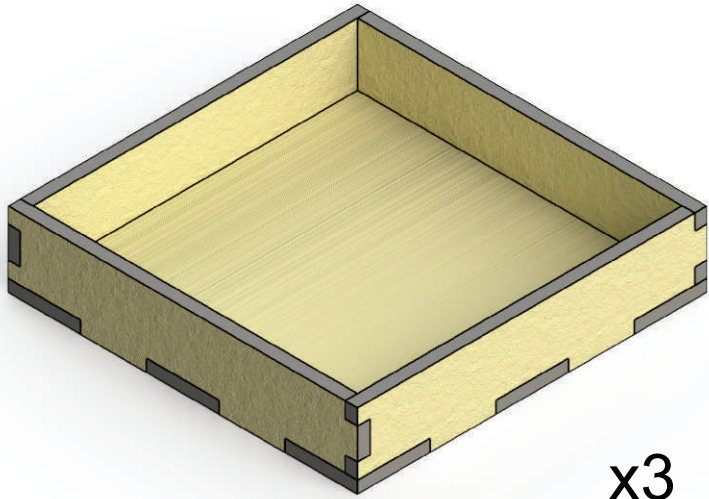
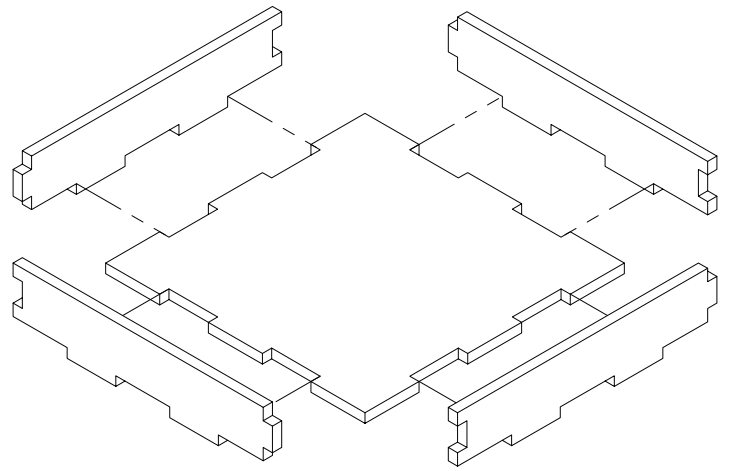
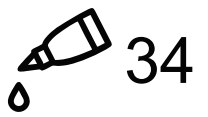
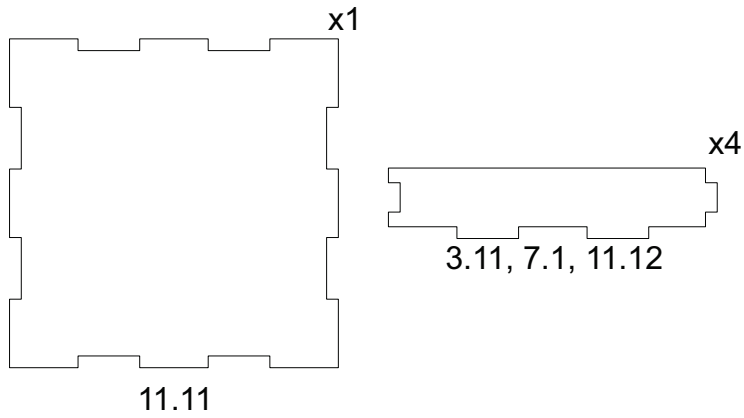


MS-DT-A03



Parts

Sheets 3, 7, 11



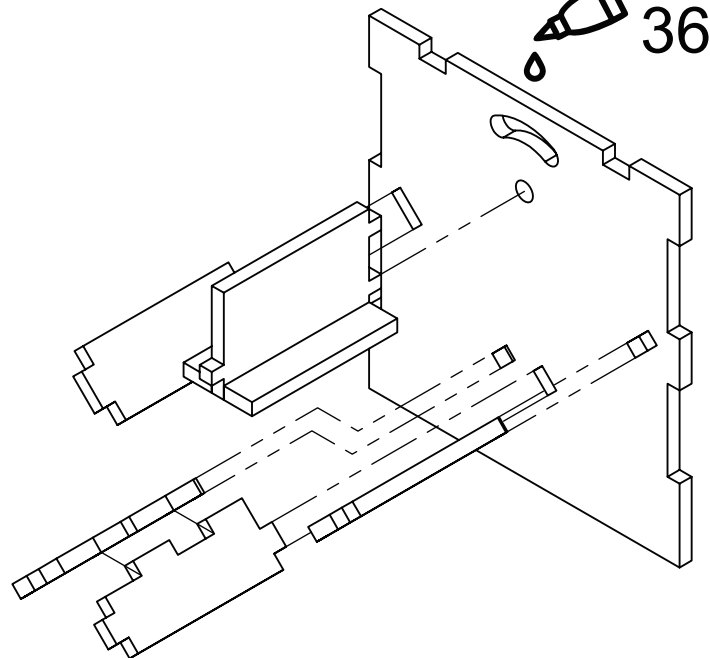
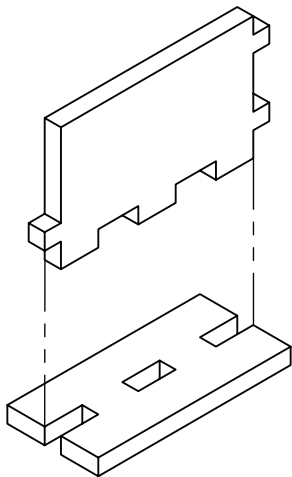
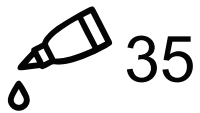
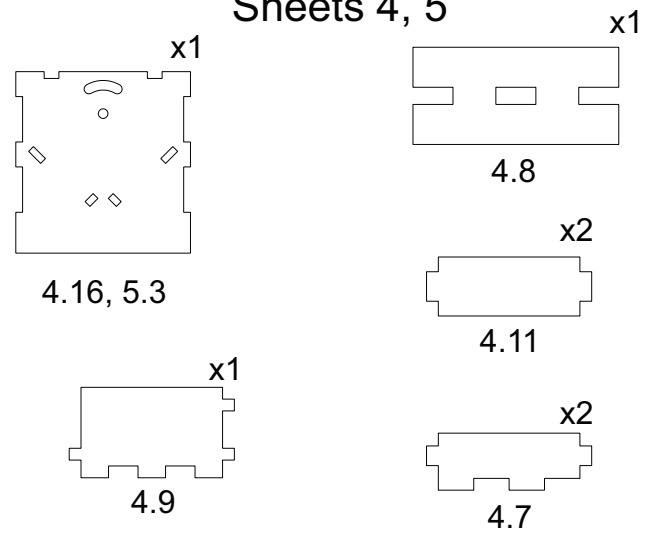
x3

MS-D-A02



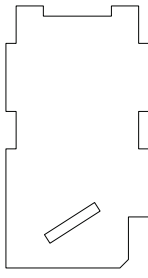
Parts

Sheets 4, 5

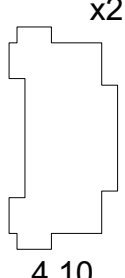


Parts

x2 Sheets 4, 5

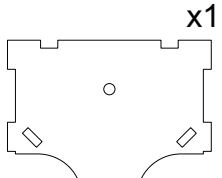


4.6, 5.2



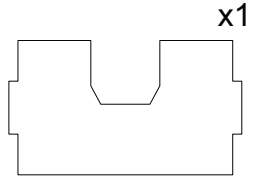
4.10

x2



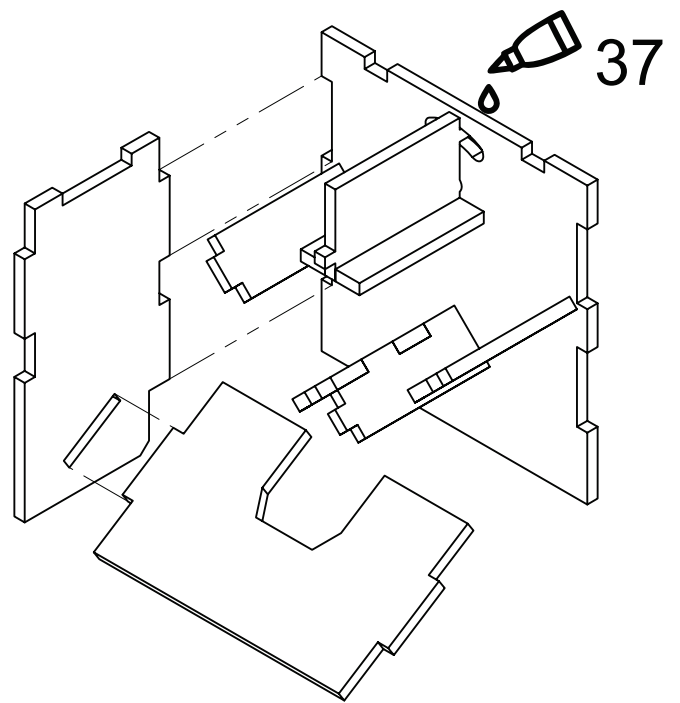
4.12

x1

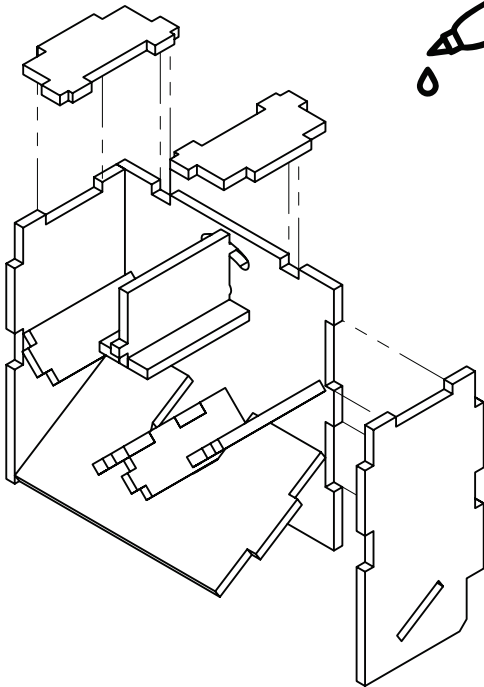


4.14

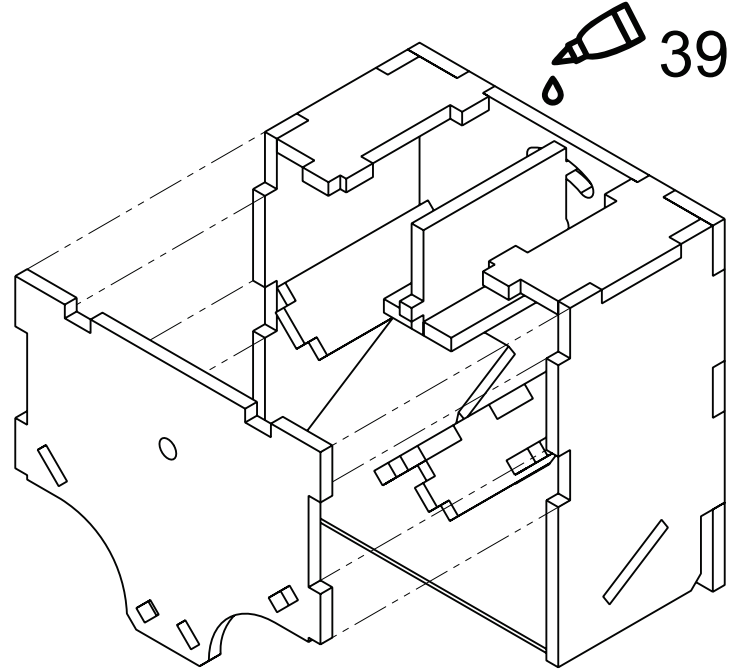
x1



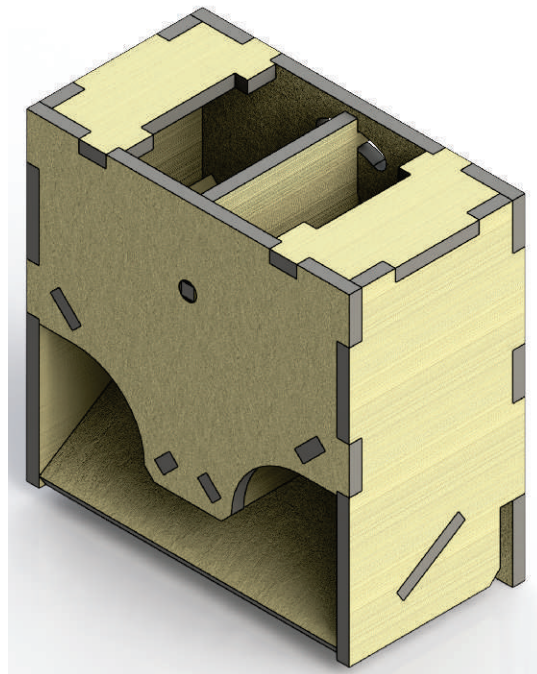
37



38

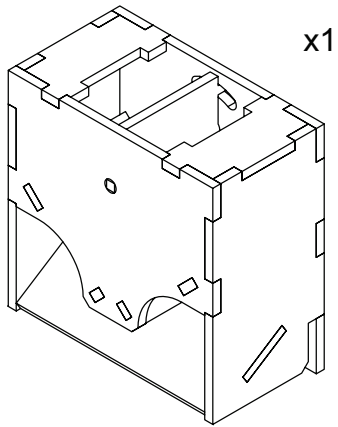


39

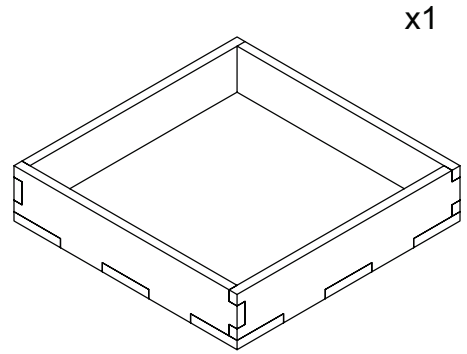


x3

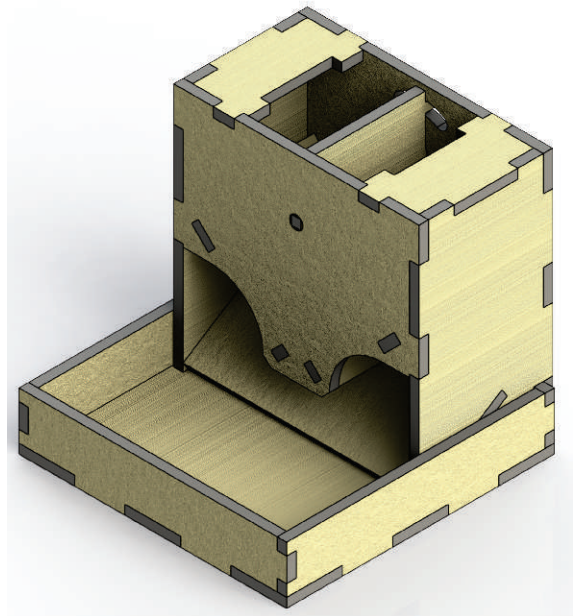
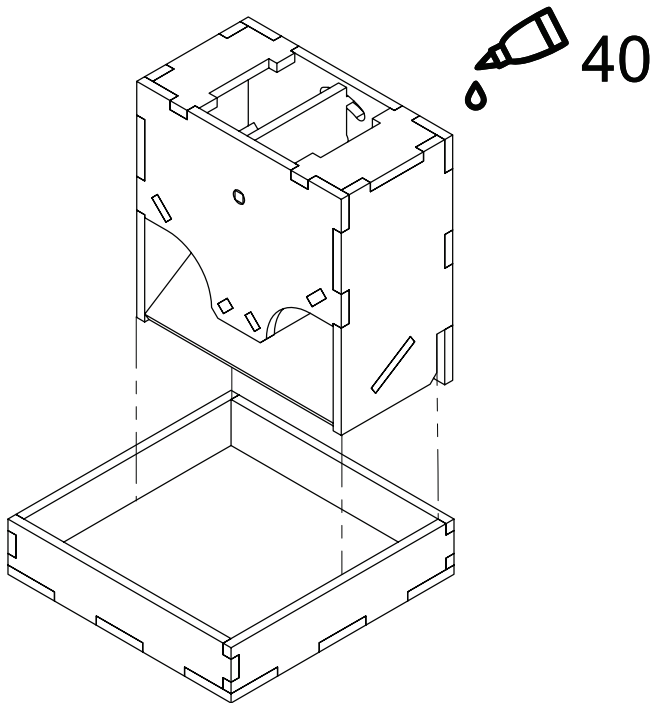
MS-DT-A04, MS-DT-A05 Parts



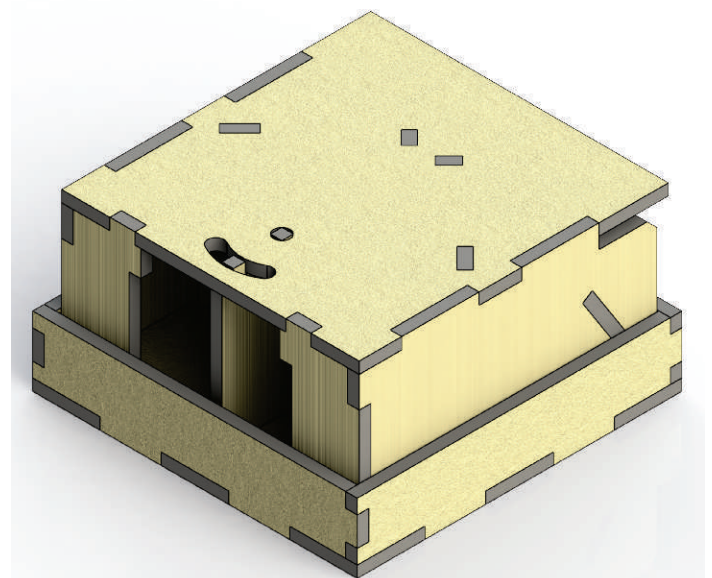
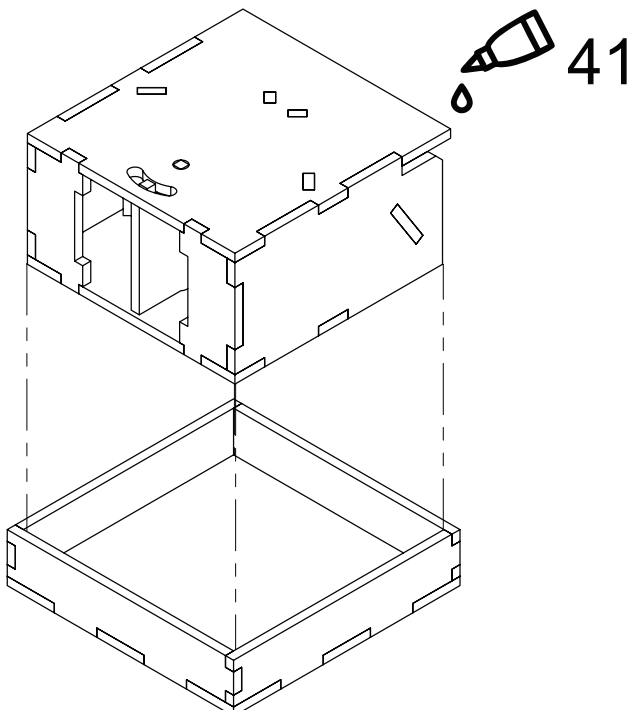
MS-DT-A02



MS-DT-A03



Use Assembly



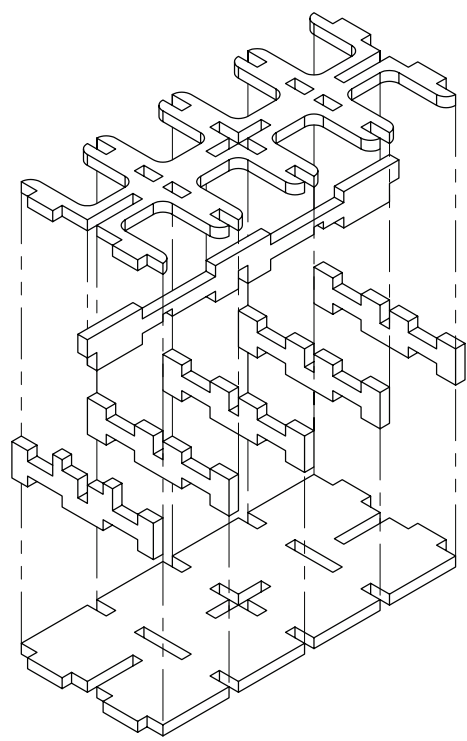
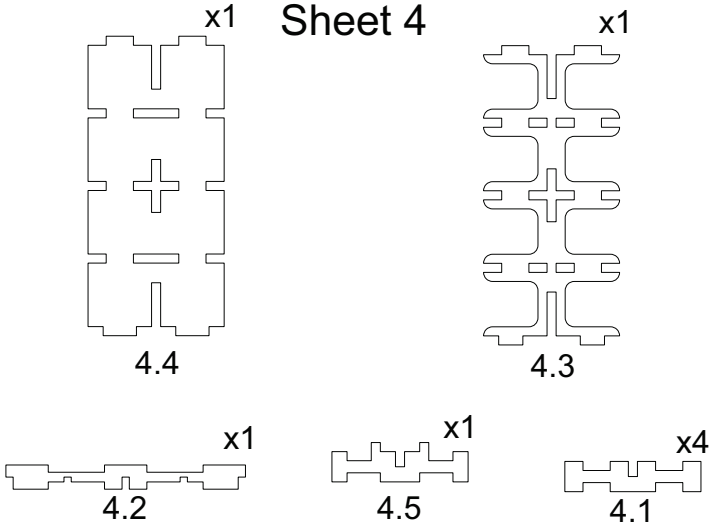
Storage assembly

MS-SMT-A01



42

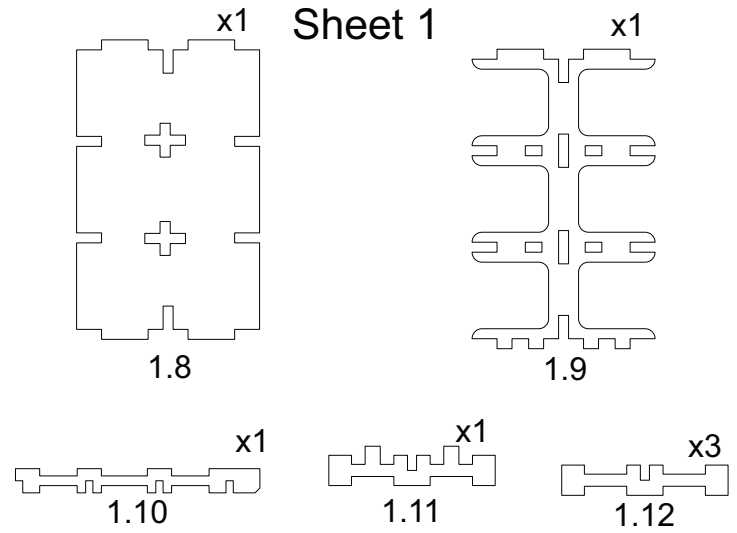
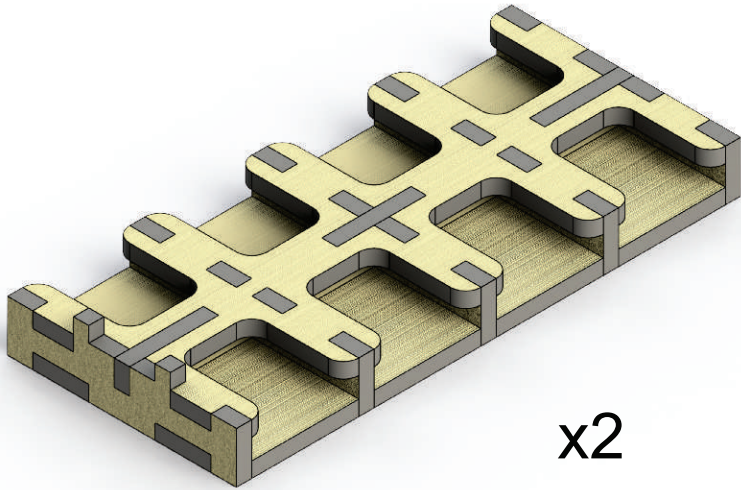
Parts Sheet 4



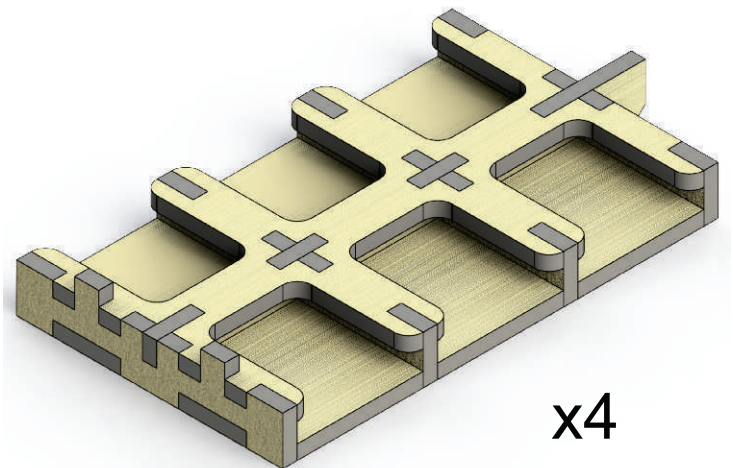
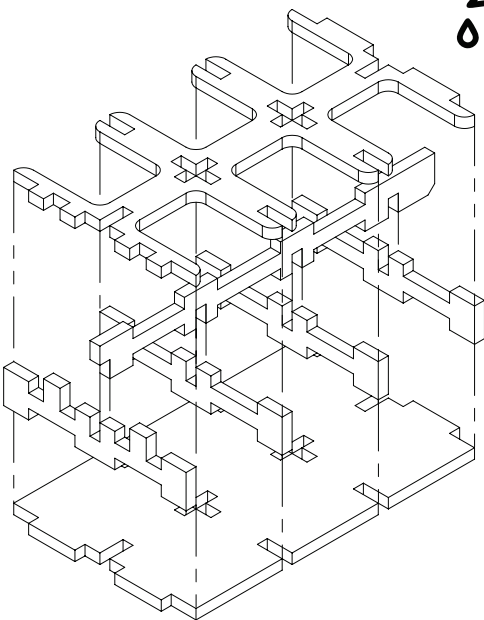
MS-MMT-A01



Parts Sheet 1



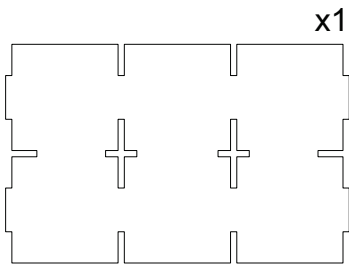
43



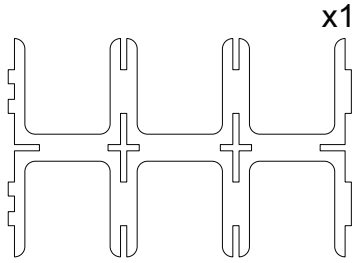
MS-LMT-A01

Parts

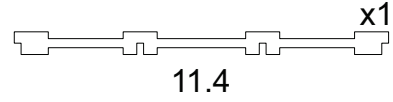
Sheet 11



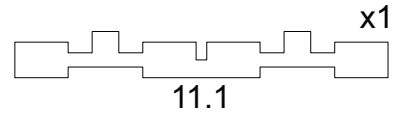
11.3



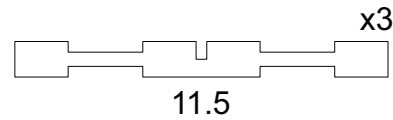
11.2



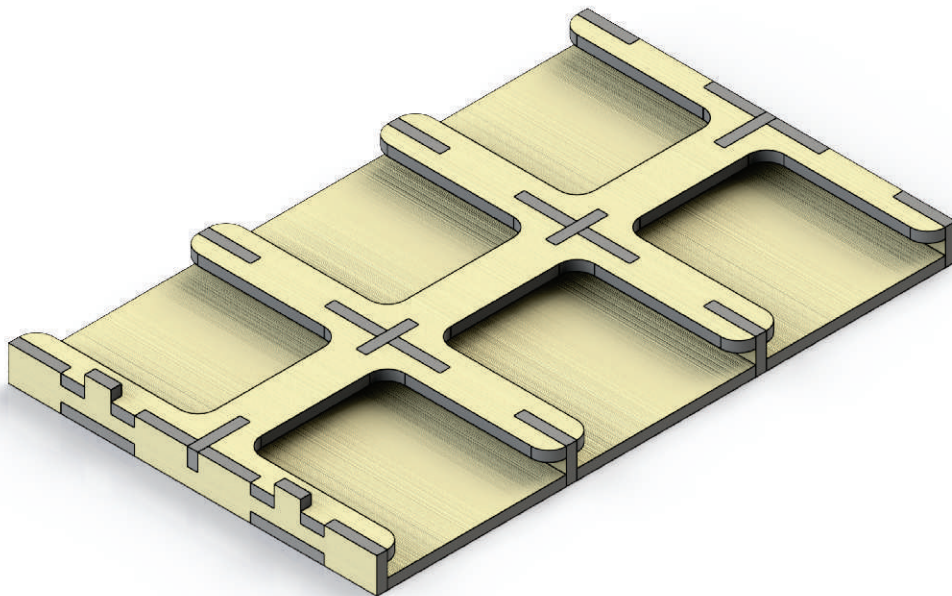
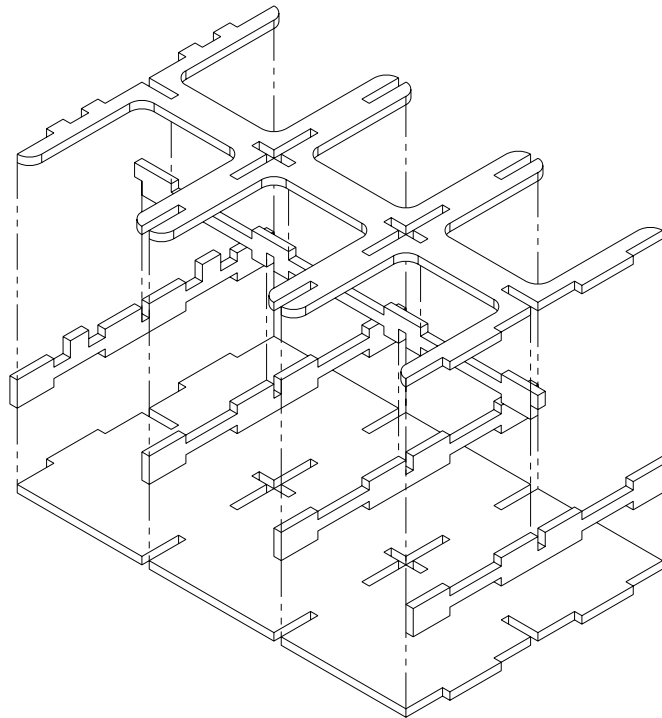
11.4



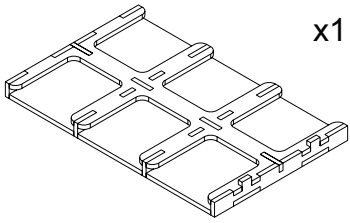
11.1



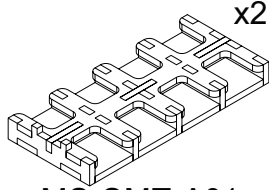
11.5



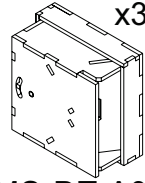
MS-B-A01 Parts



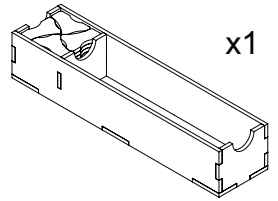
MS-LMT-A01



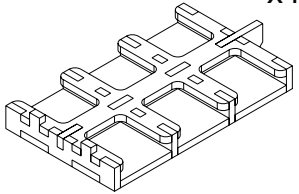
MS-SMT-A01



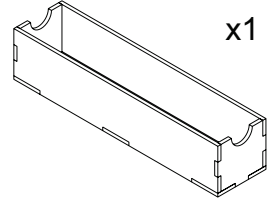
MS-DT-A05



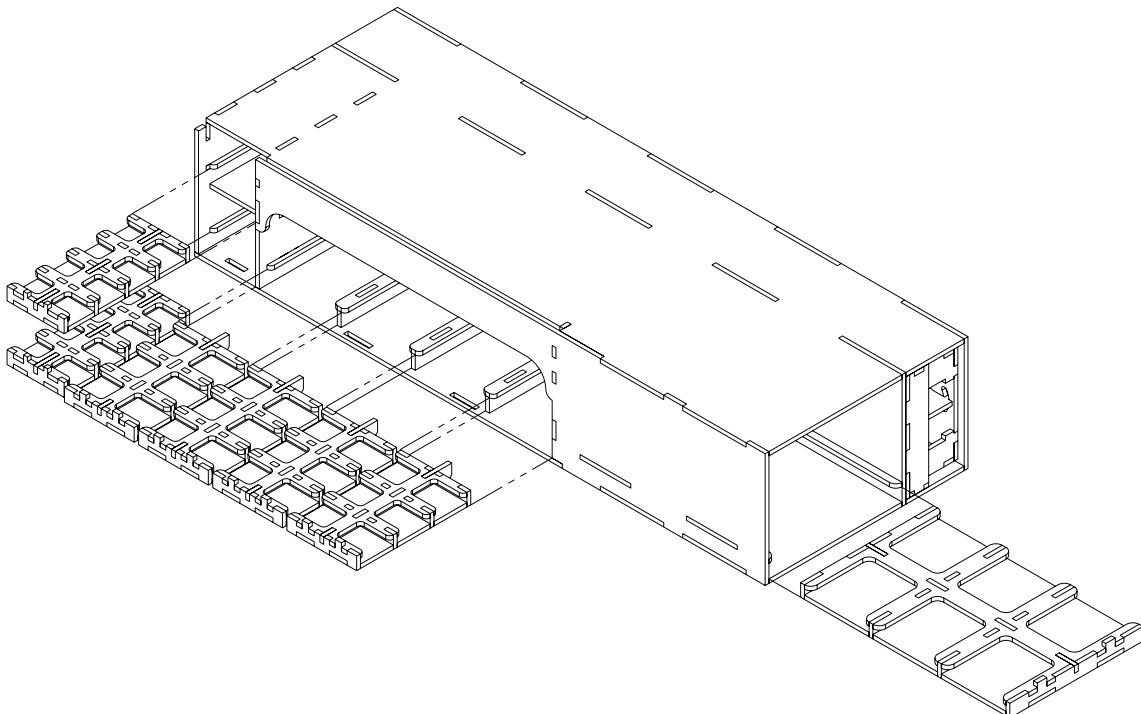
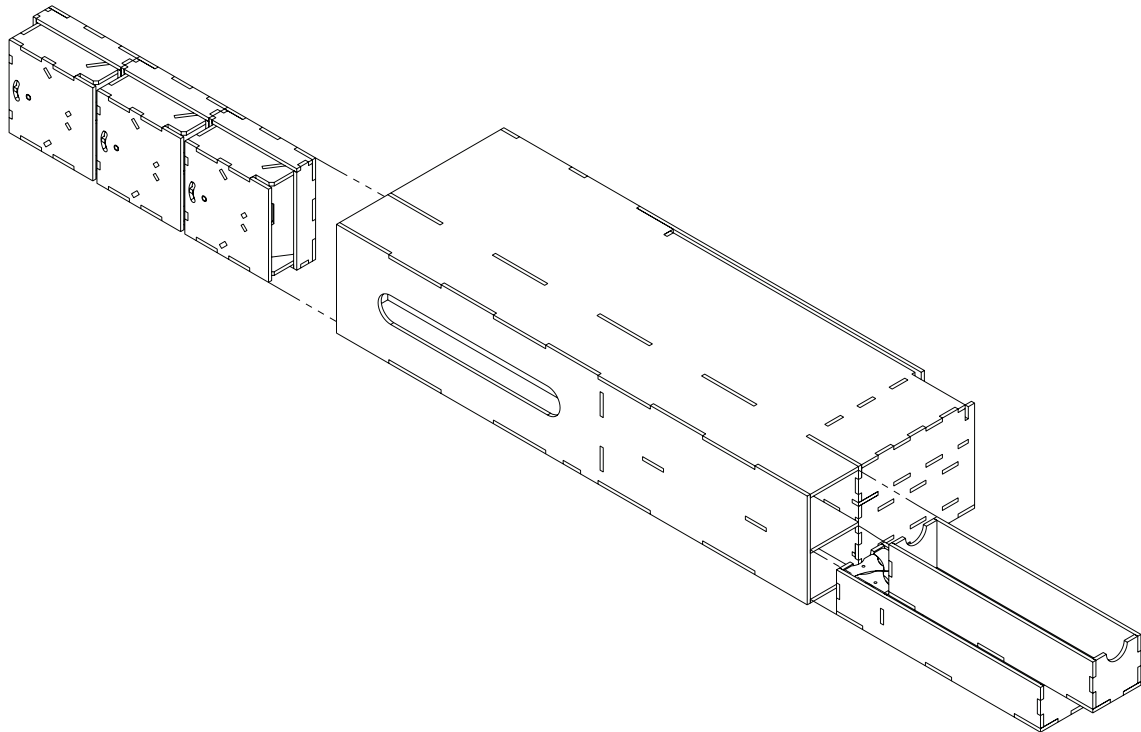
MS-AD1-A01



MS-MMT-A01



MS-AD2-A01



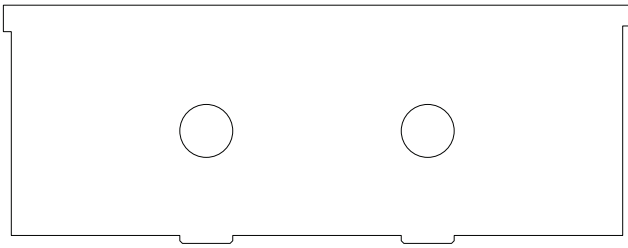
MS-LMT-A01

Parts

Sheets 1, 8

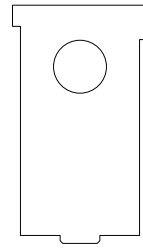


x1

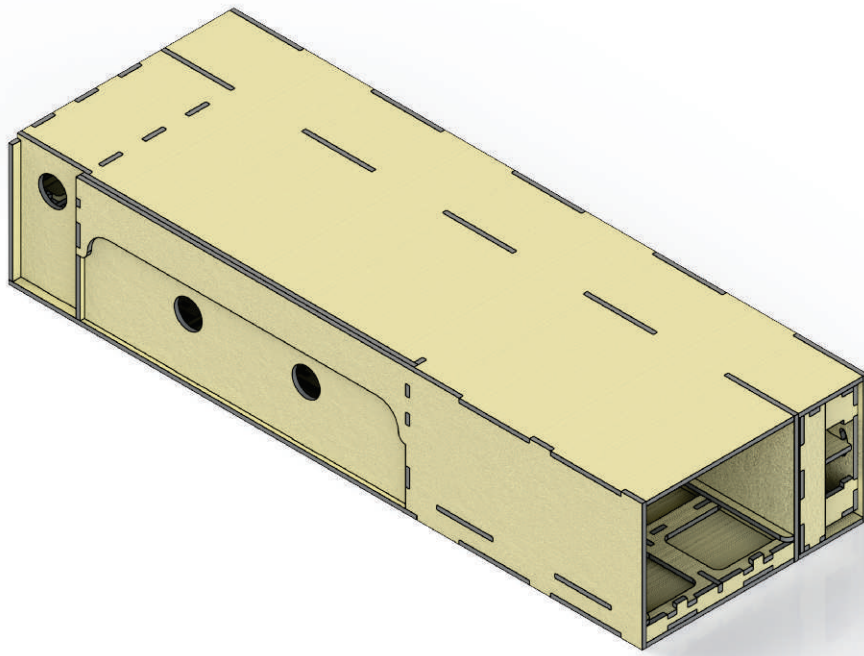
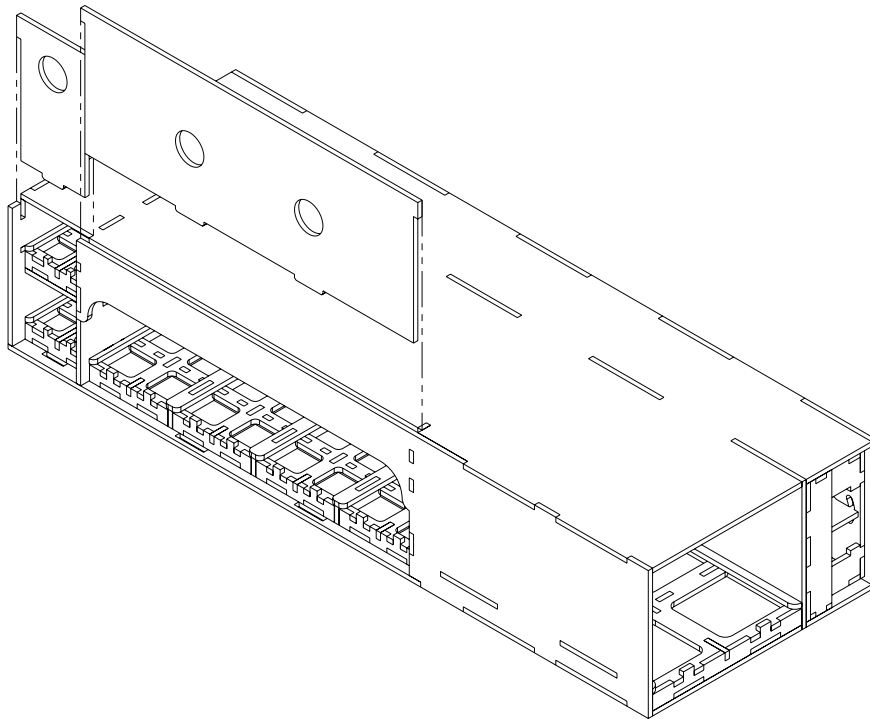


1.1

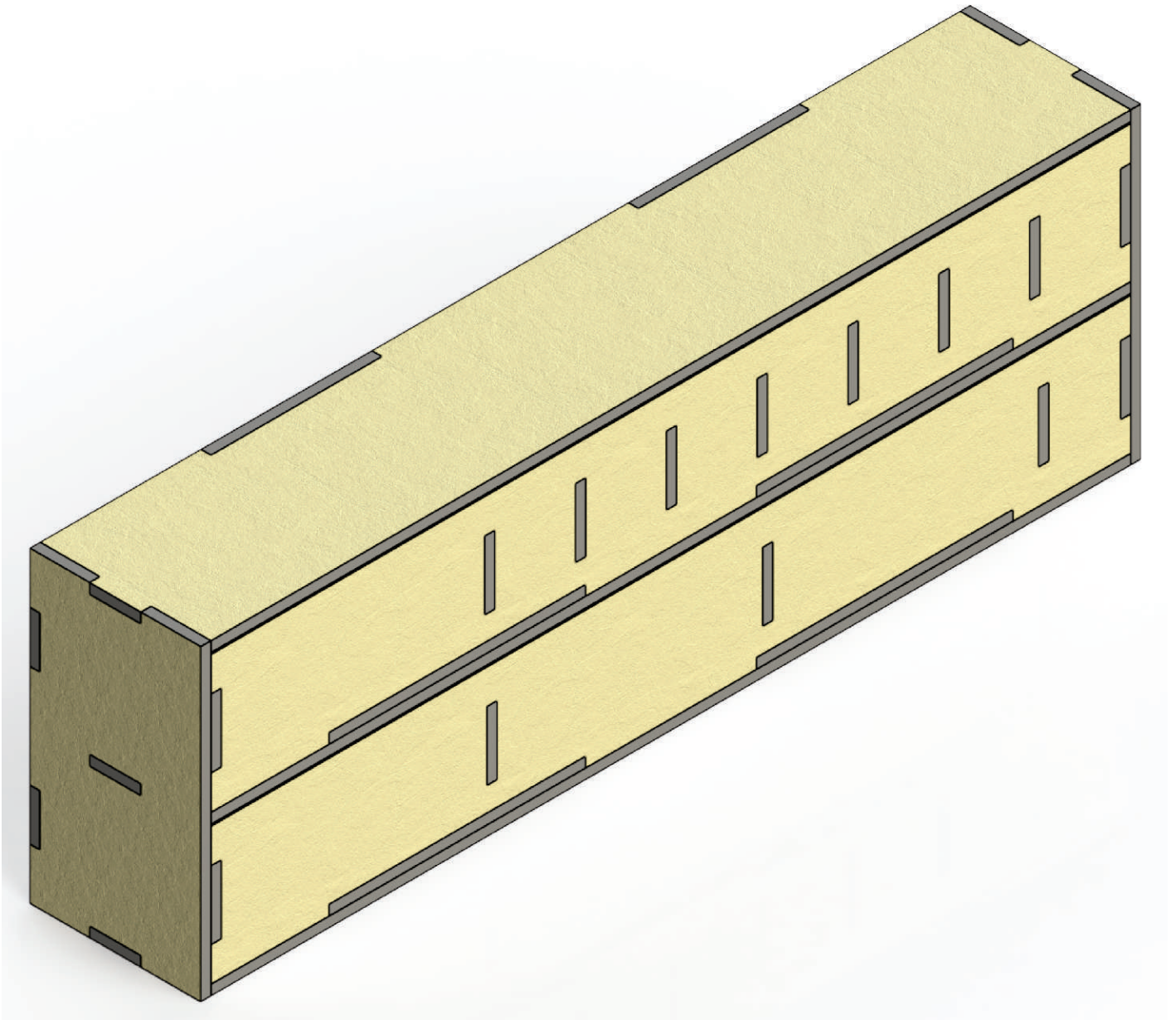
x1



8.7



Map-Making Walls



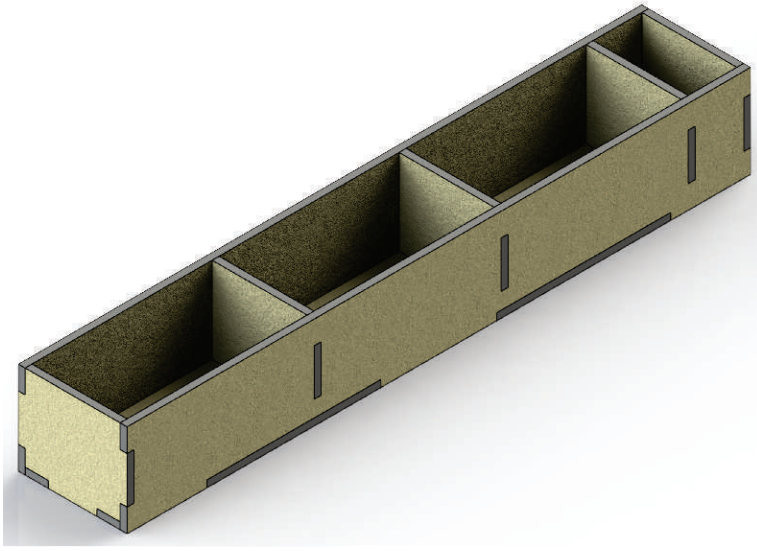
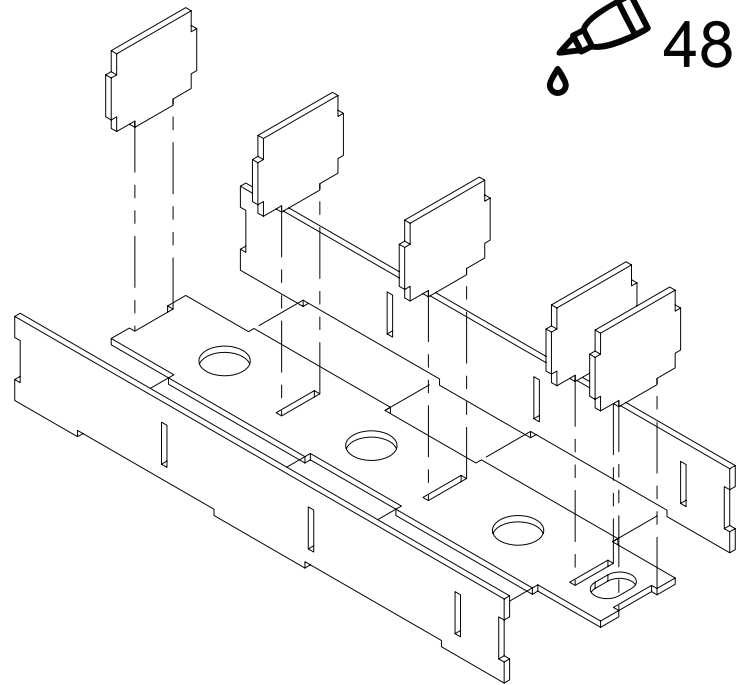
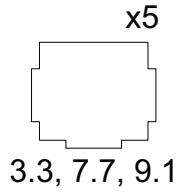
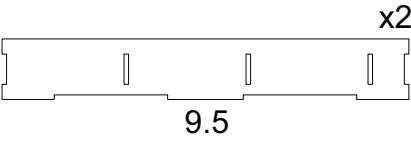
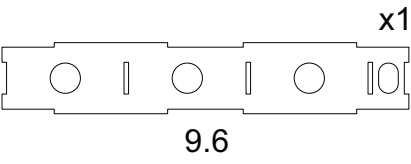
W-D1-A01

Parts

Sheets 3, 7, 9



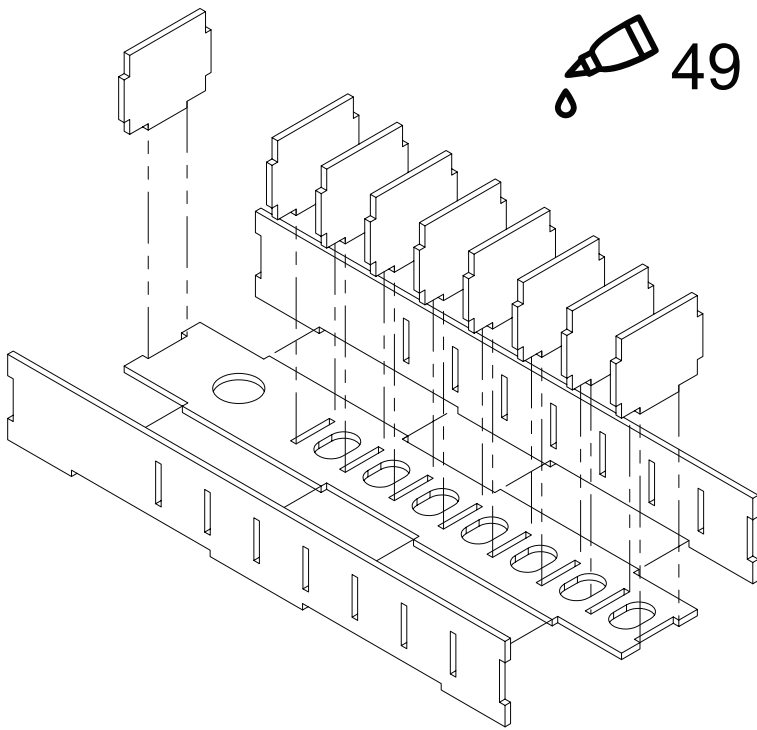
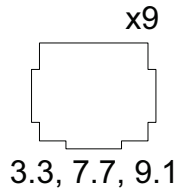
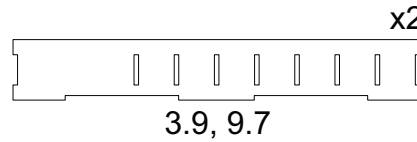
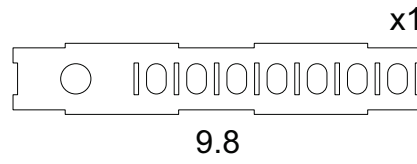
48



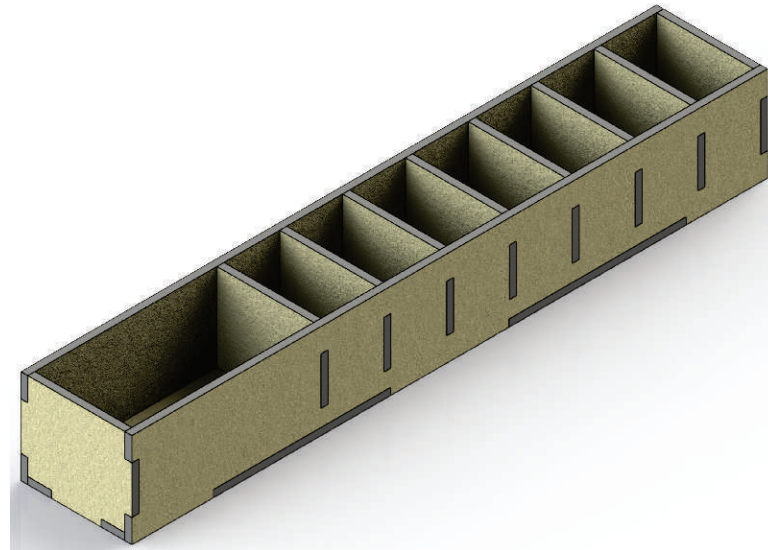
W-D2-A01

Parts

Sheets 3, 9



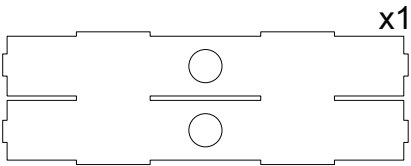
49



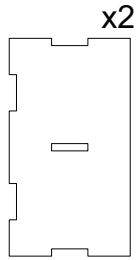
W-B-A01

Parts

Sheet 9



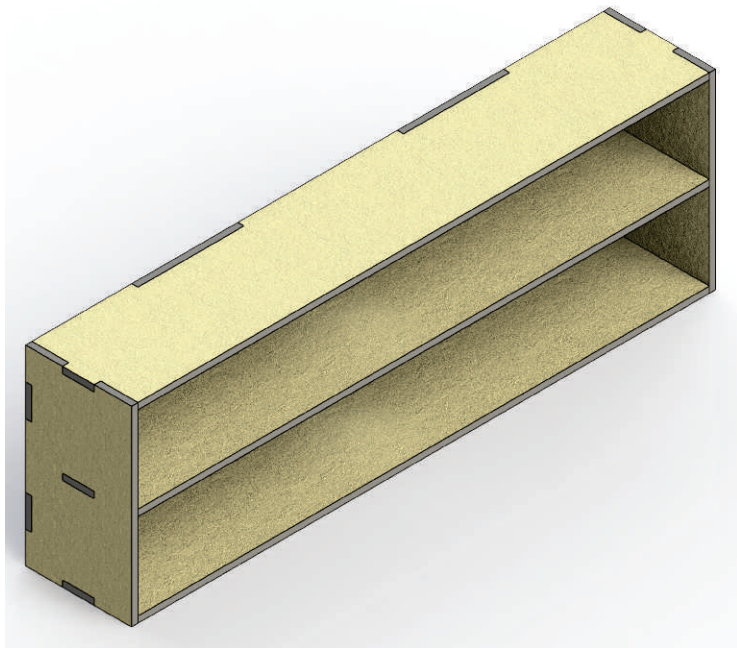
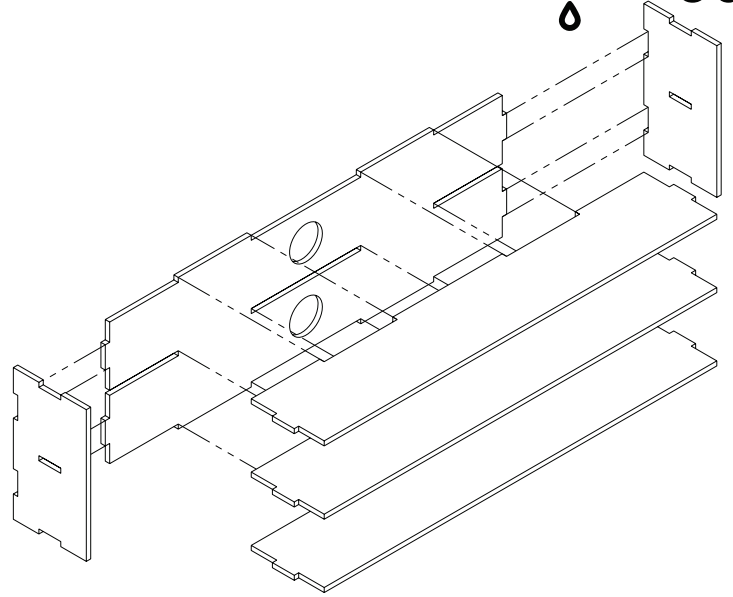
9.4



9.2



9.3

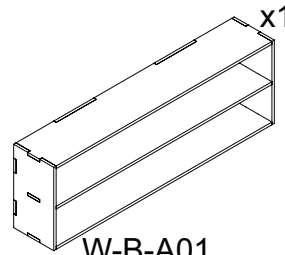


W-B-A01

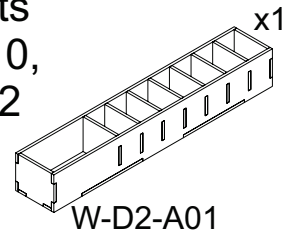
Parts

Sheets

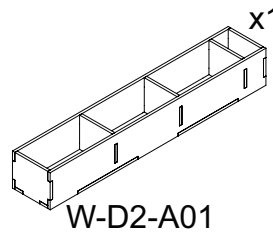
7, 8, 10,
11, 12



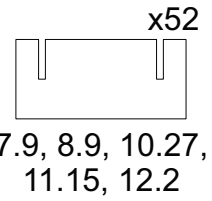
W-B-A01



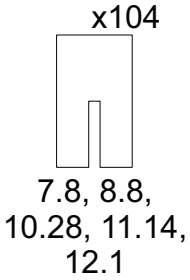
W-D2-A01



W-D2-A01



7.9, 8.9, 10.27,
11.15, 12.2



7.8, 8.8,
10.28, 11.14,
12.1

