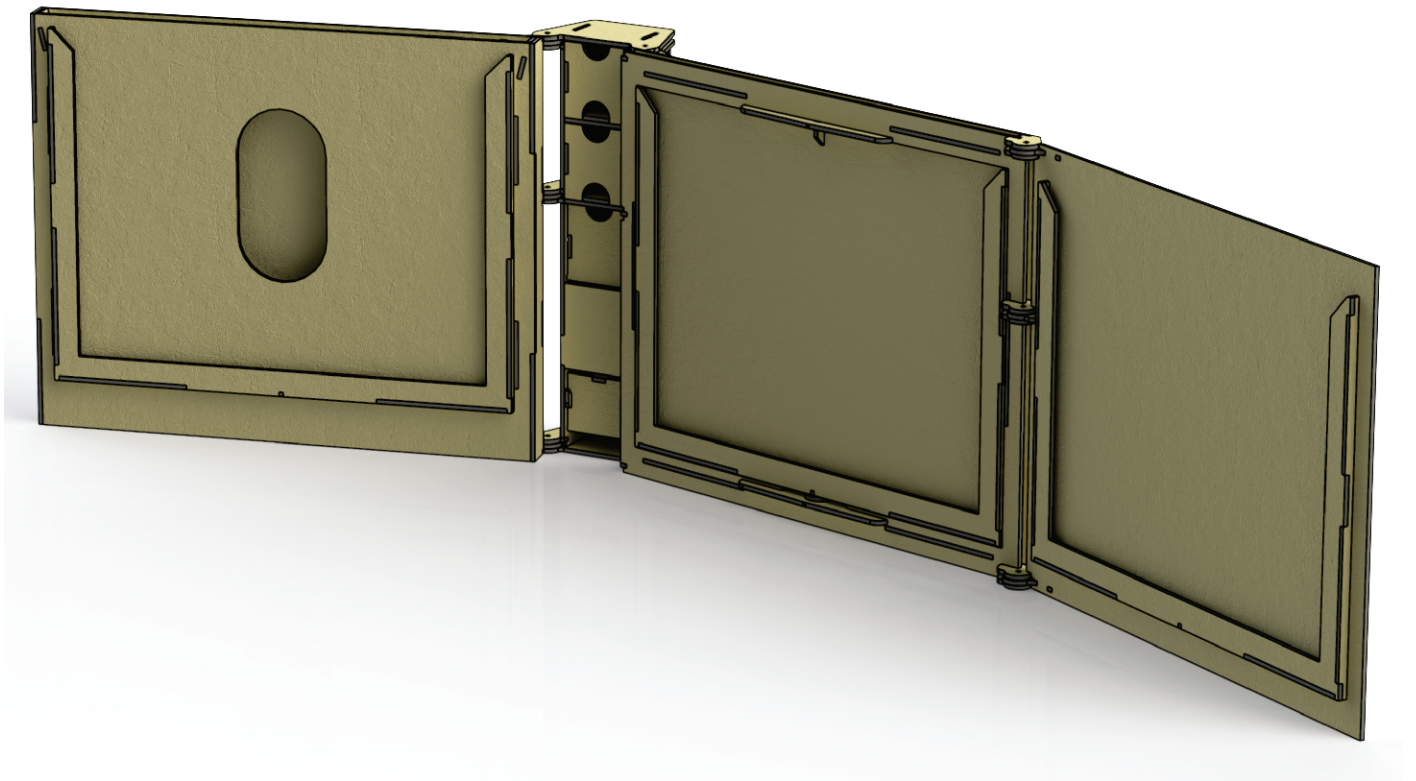


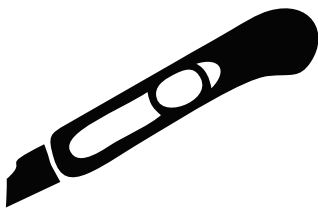
Game Box Assembly Instructions



Important info and symbols.

You will need a sharp, narrow blade such as a utility or a hobby knife and some wood glue.

Some parts of the assembly has to be able to move. Be careful to not get glue into those areas, and allow glue to dry on parts before sliding them into place.



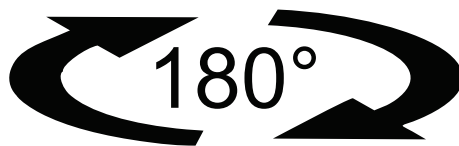
Cutting required



Glue required



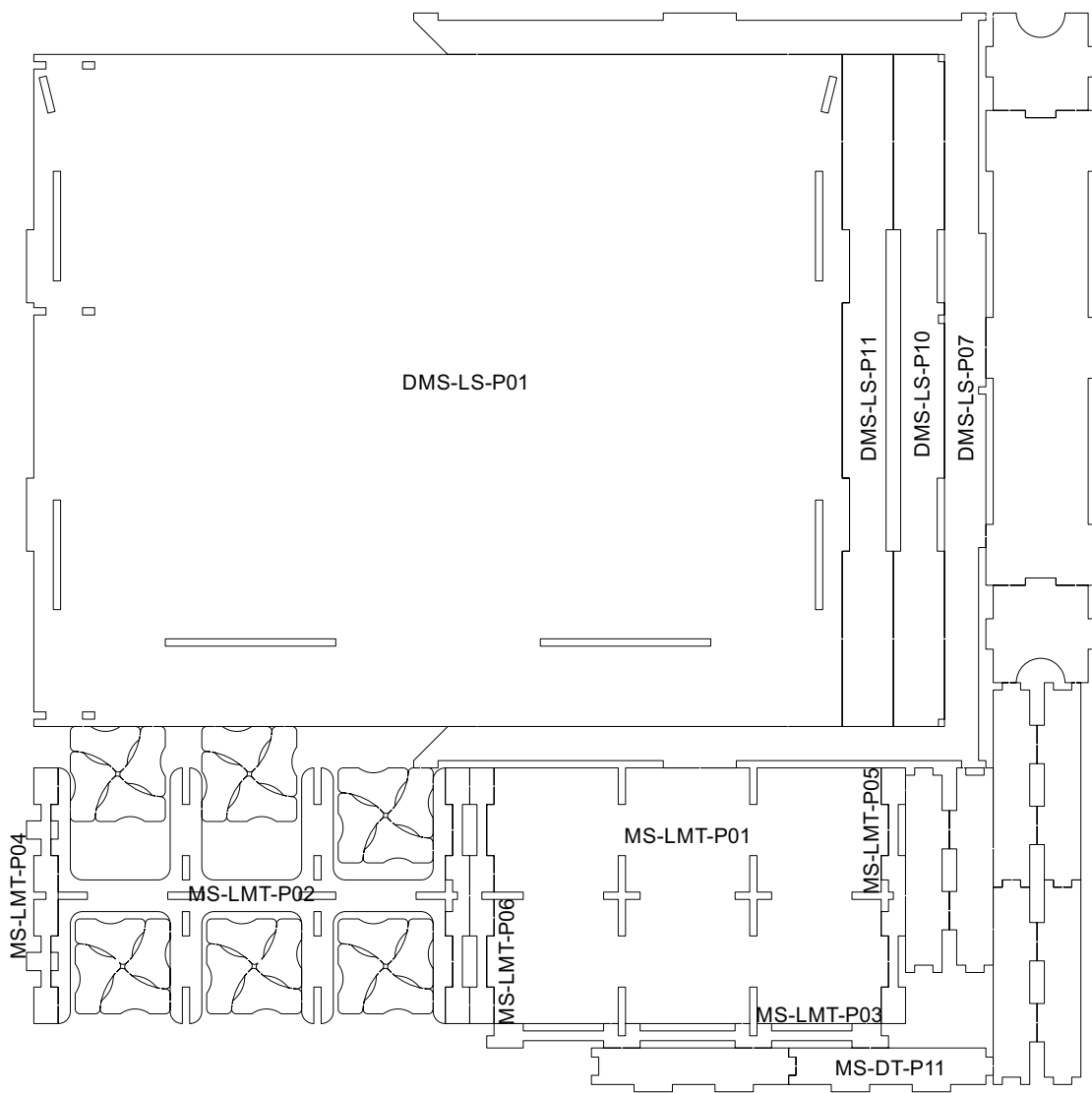
Do not glue



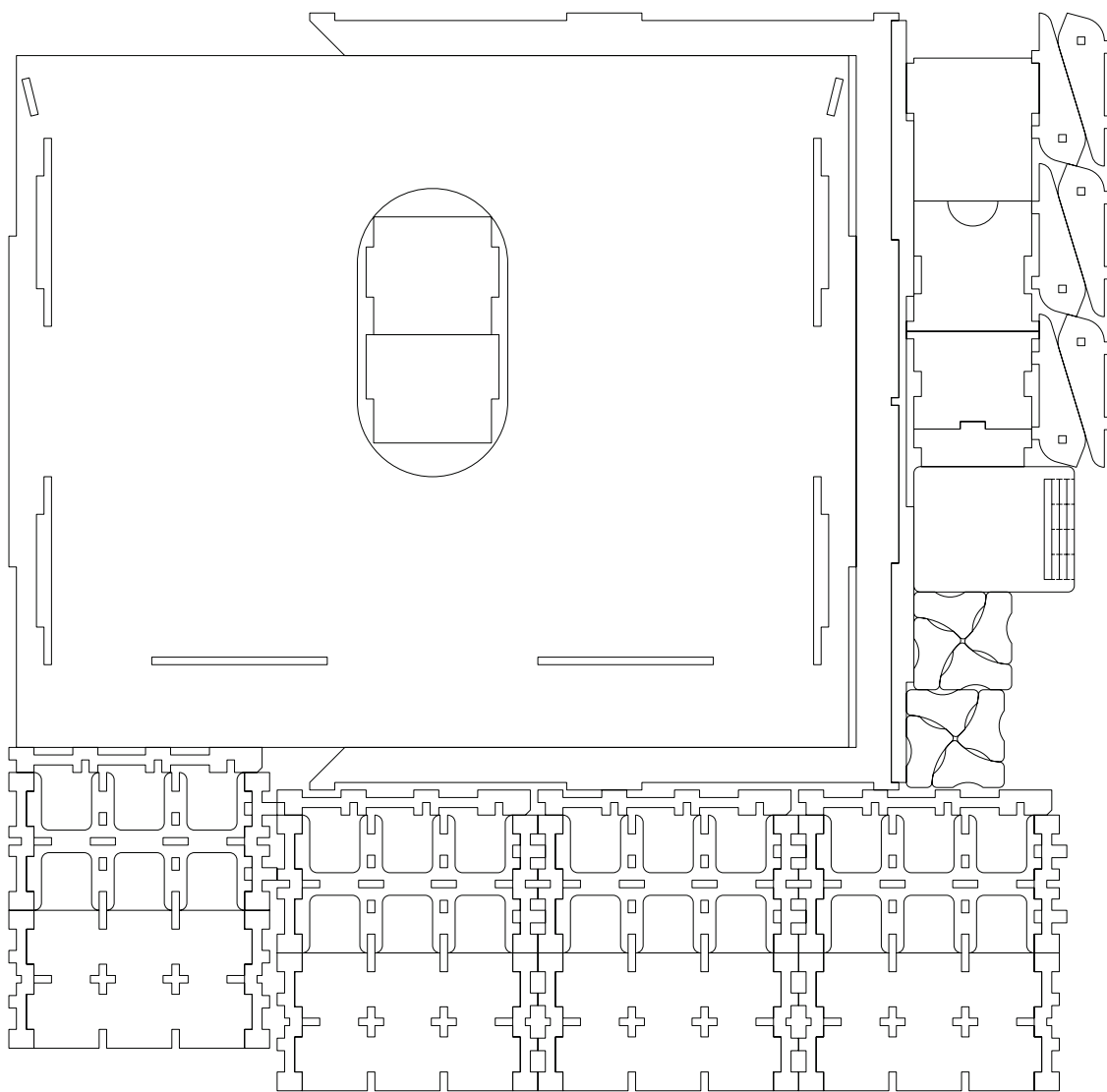
Turn 180° horizontally



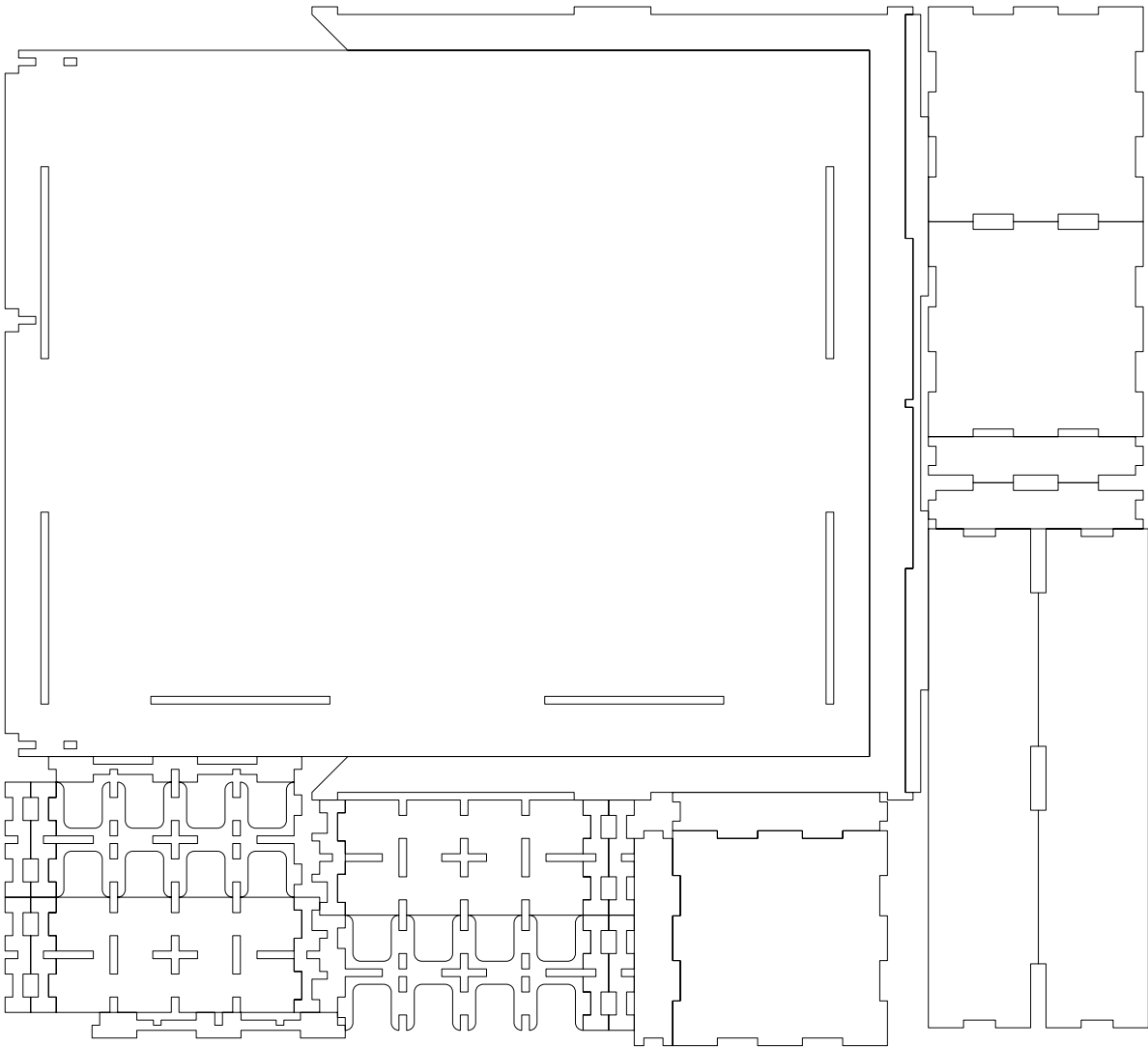
Warning: Choking hazard. Kit contains small parts.
Not suitable for children under 3 years old.



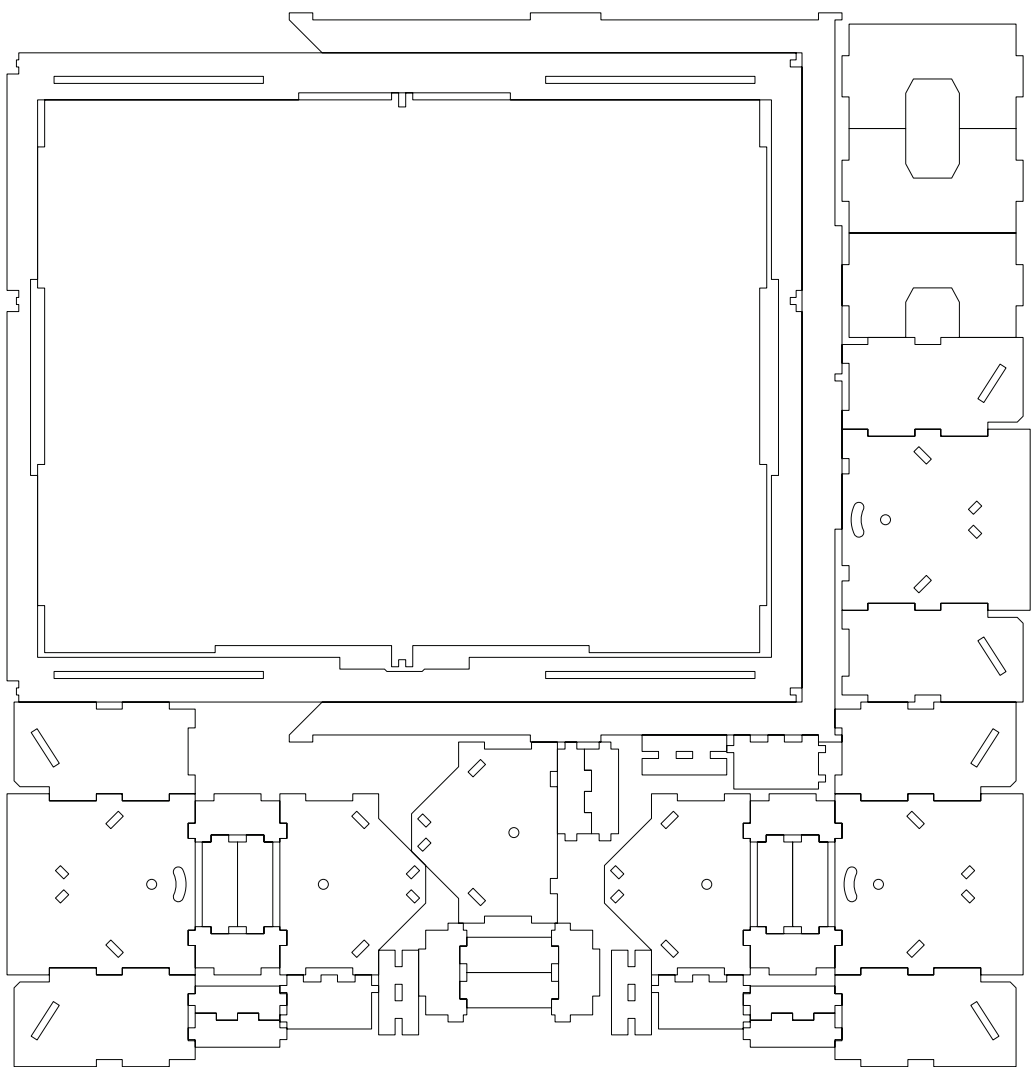
1



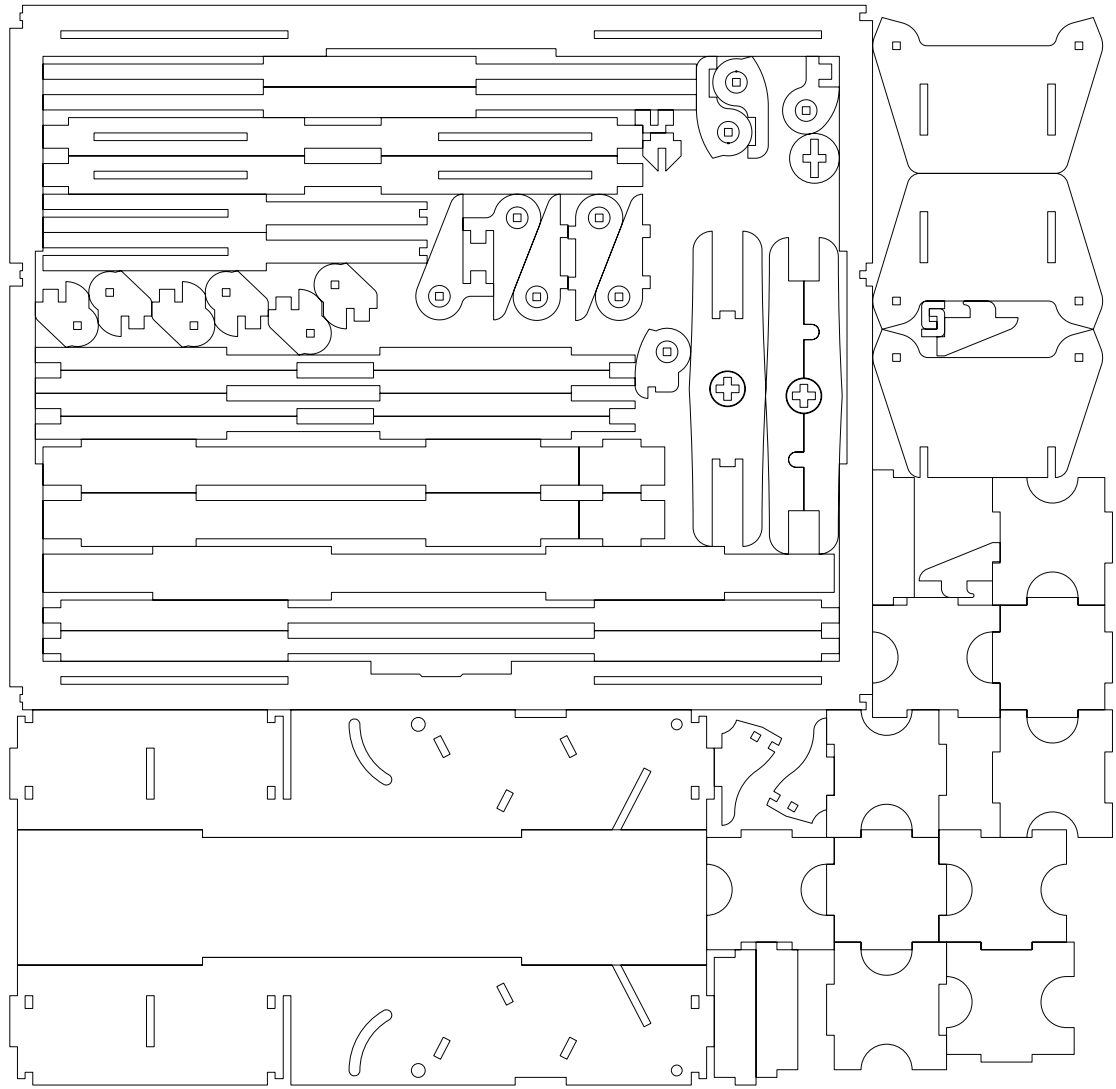
2



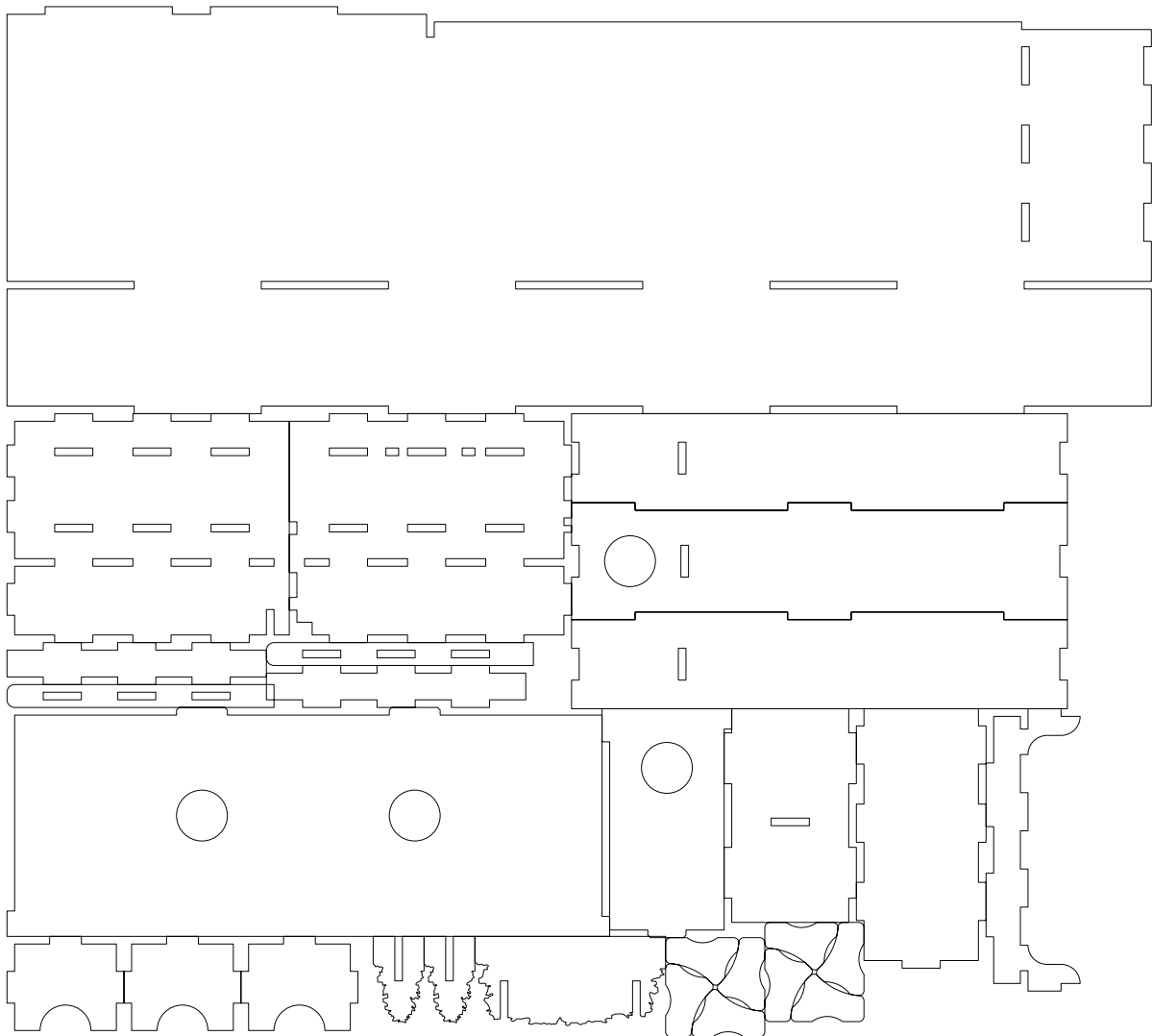
3



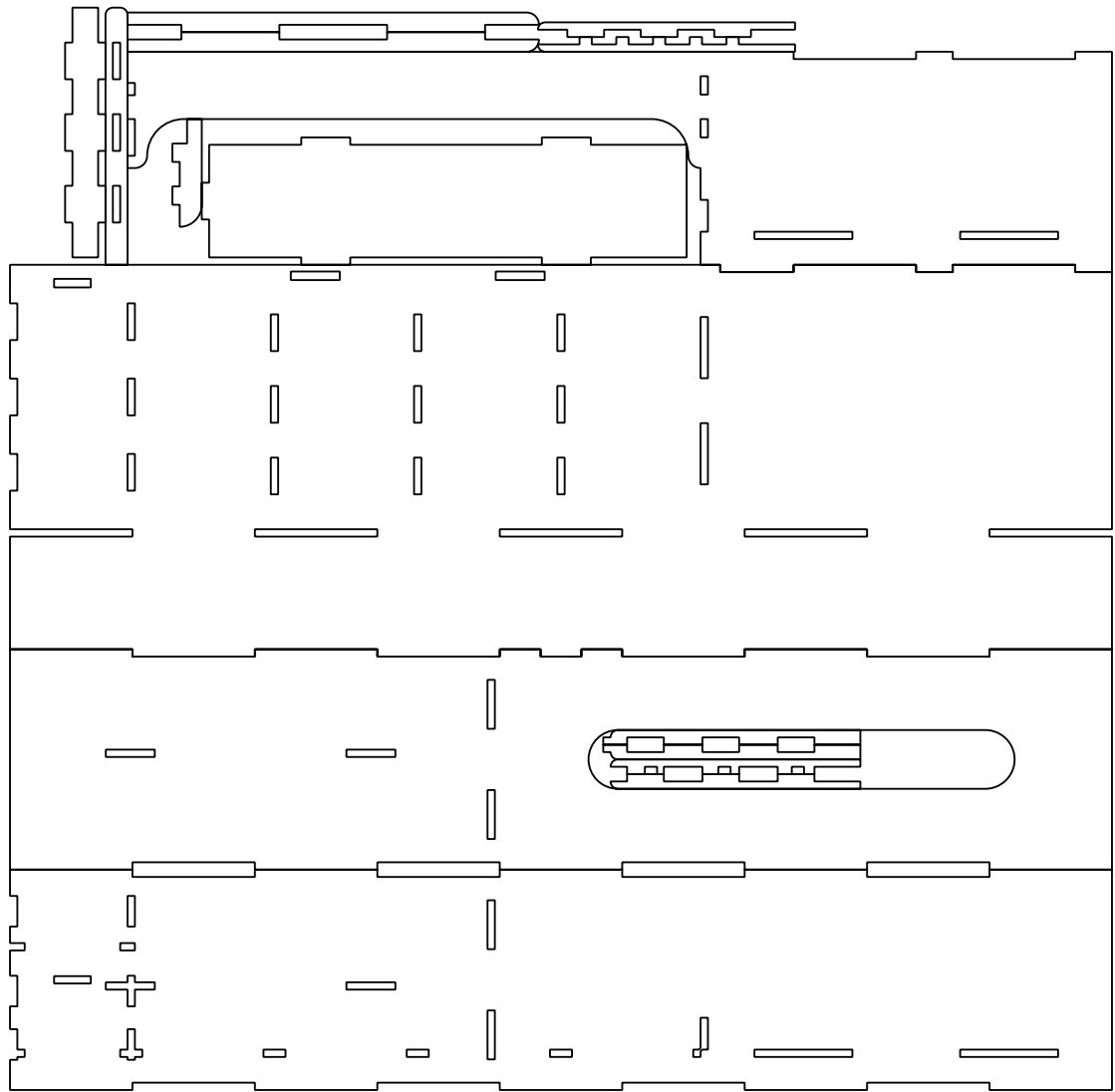
4



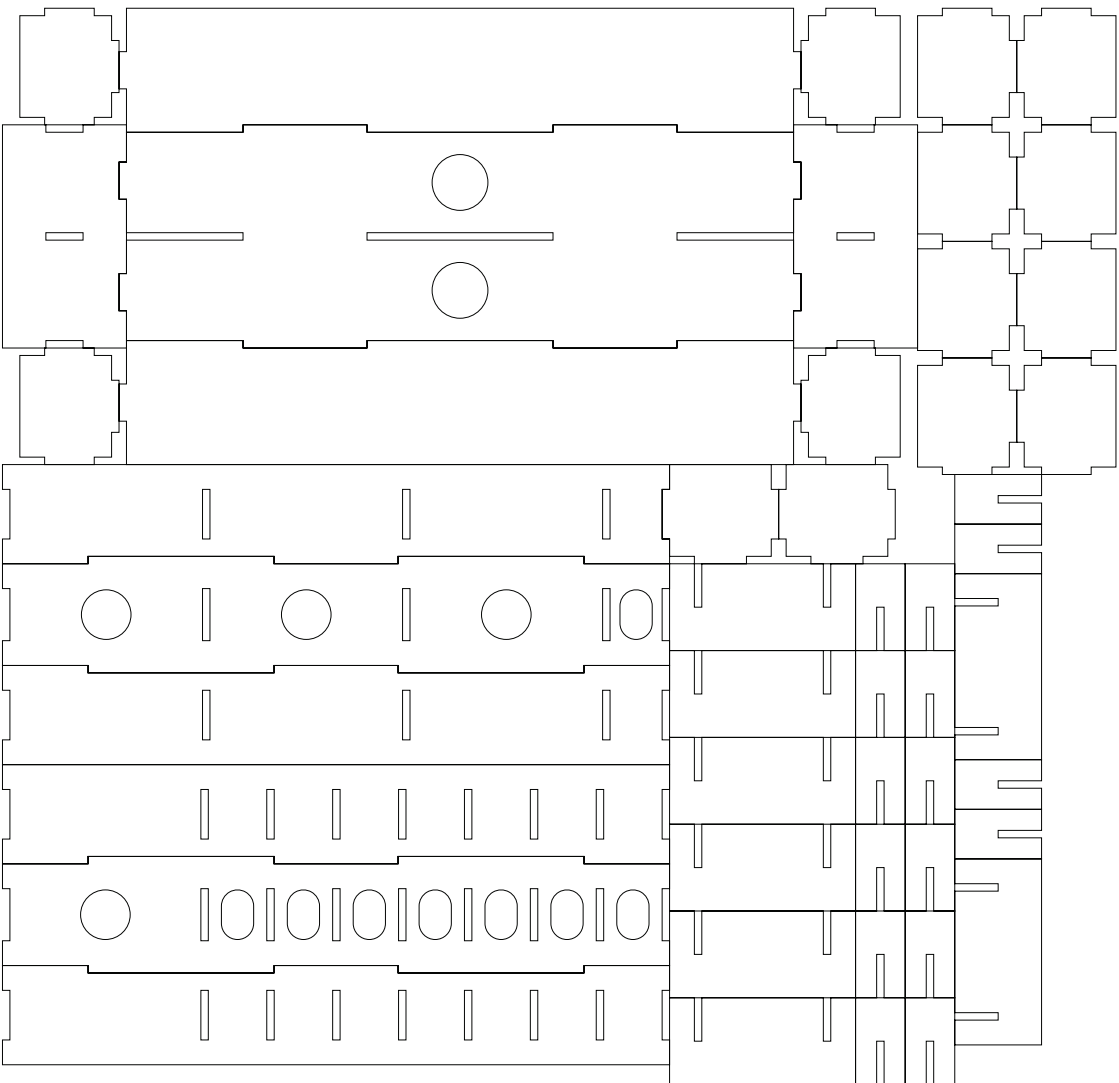
5



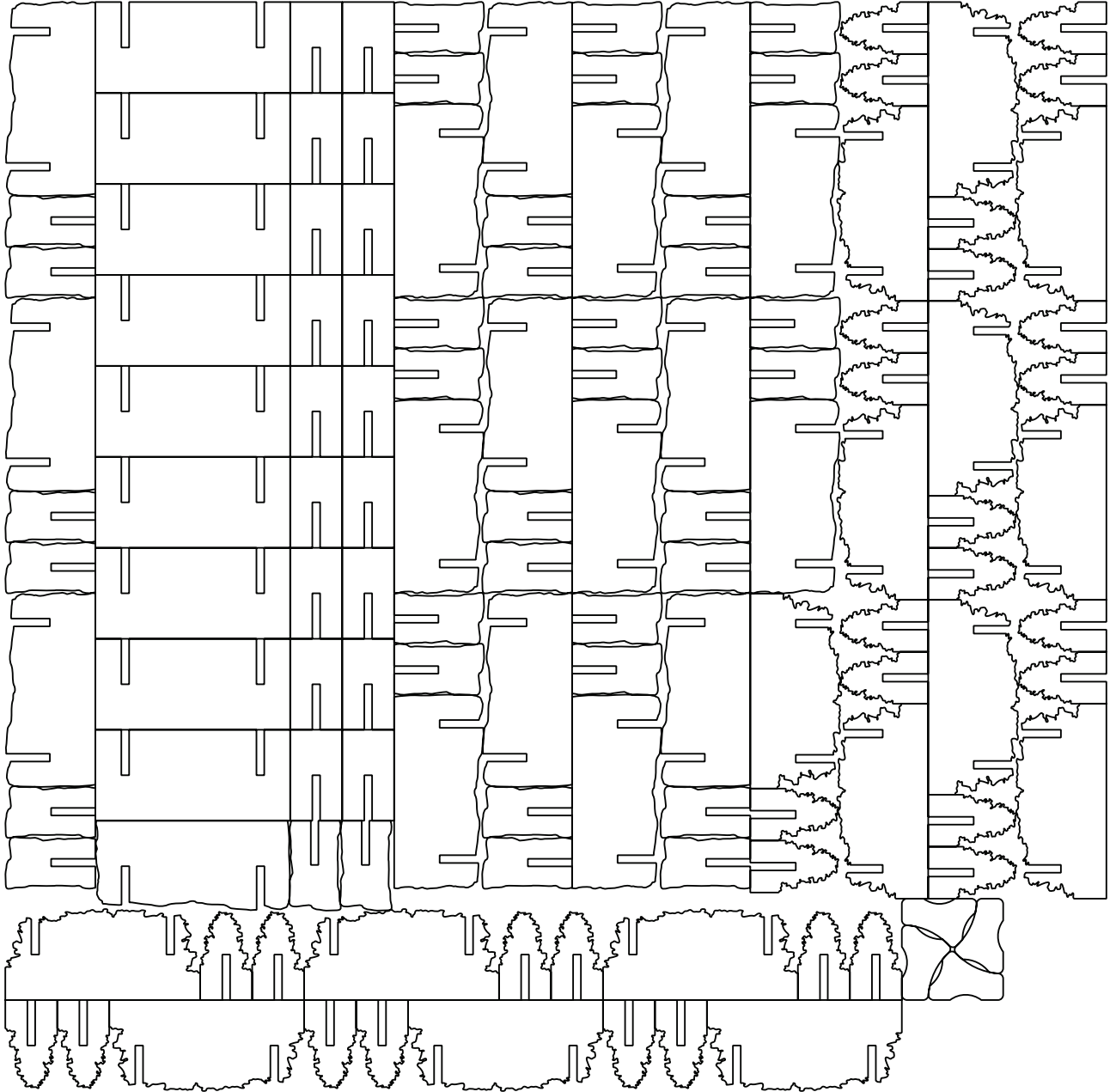
6



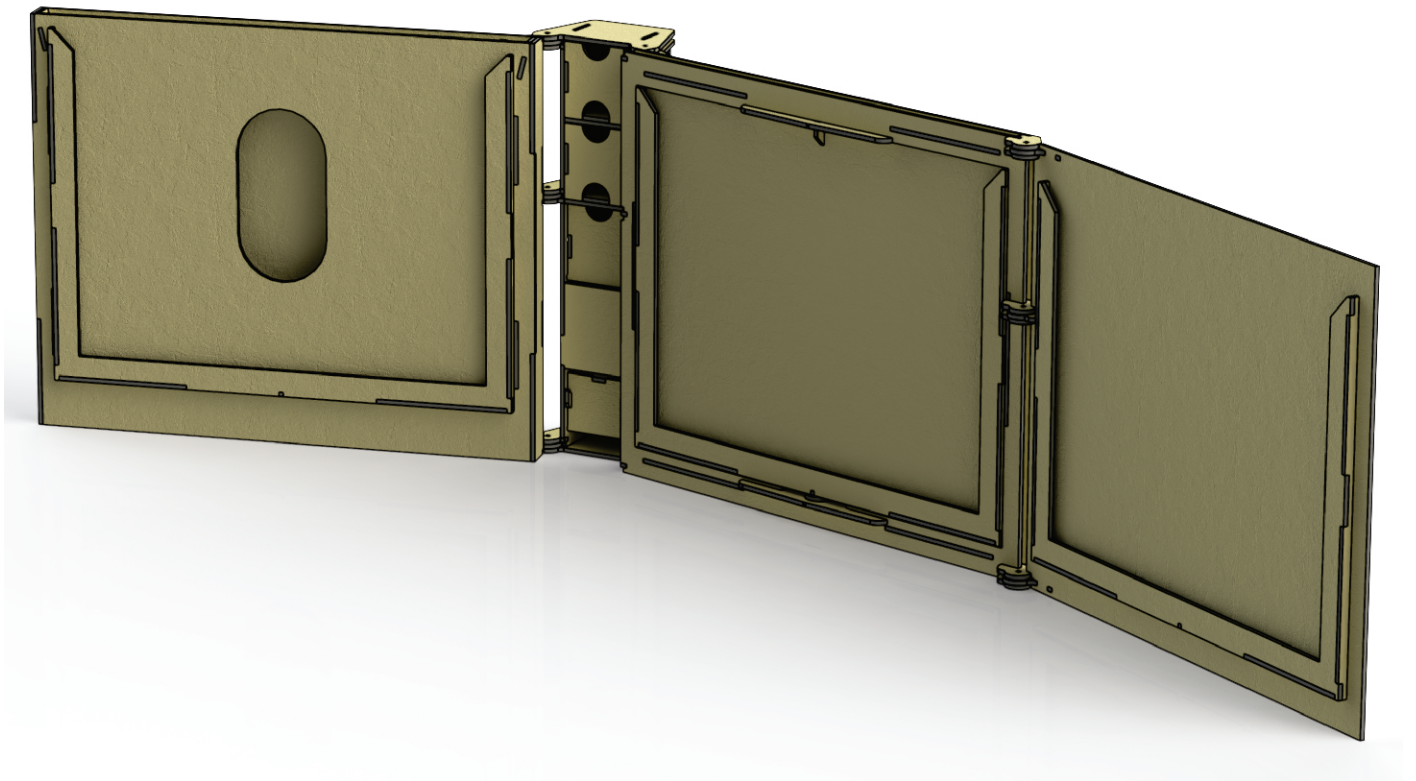
7



8



Game Master Screen

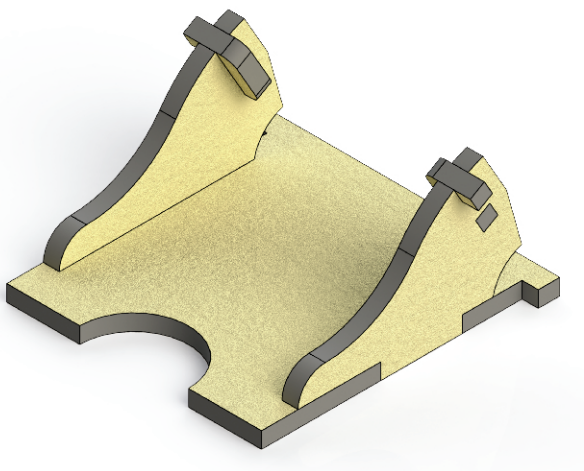
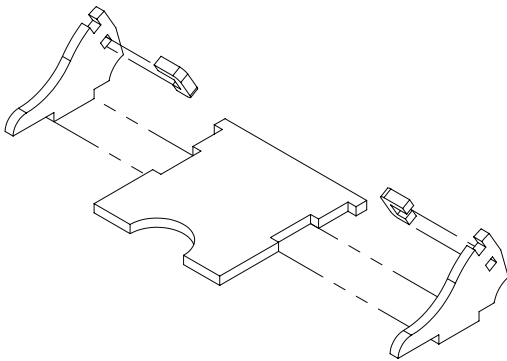
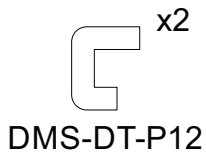
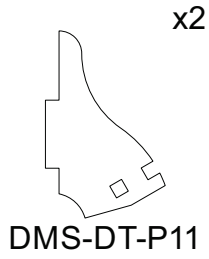
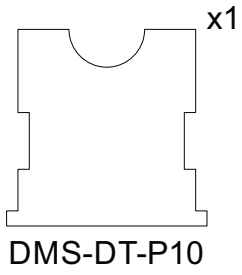


DMS-DT-A02



Parts

Sheets

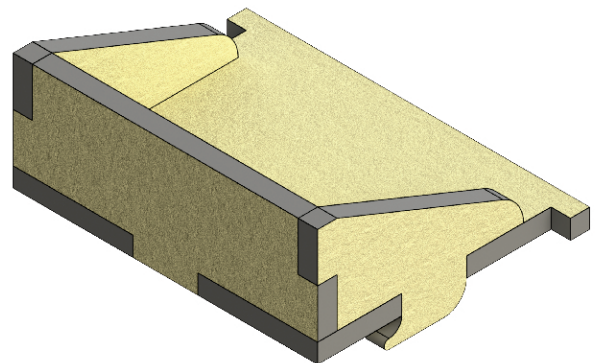
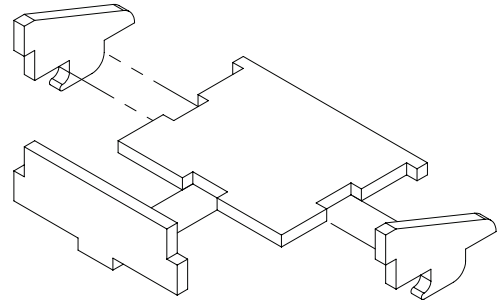
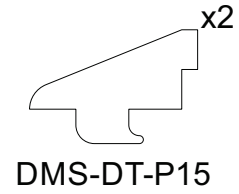
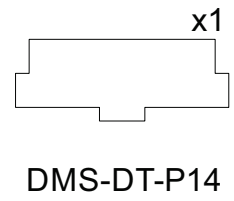
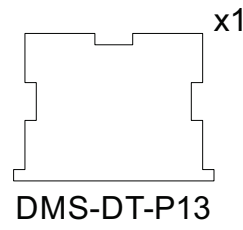


DMS-DT-A03



Parts

Sheets

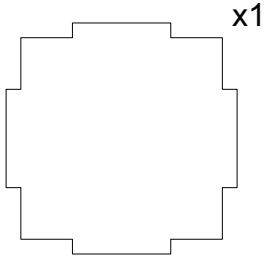


DMS-DT-A04



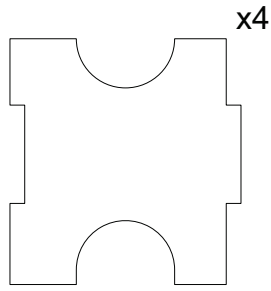
Parts

Sheet



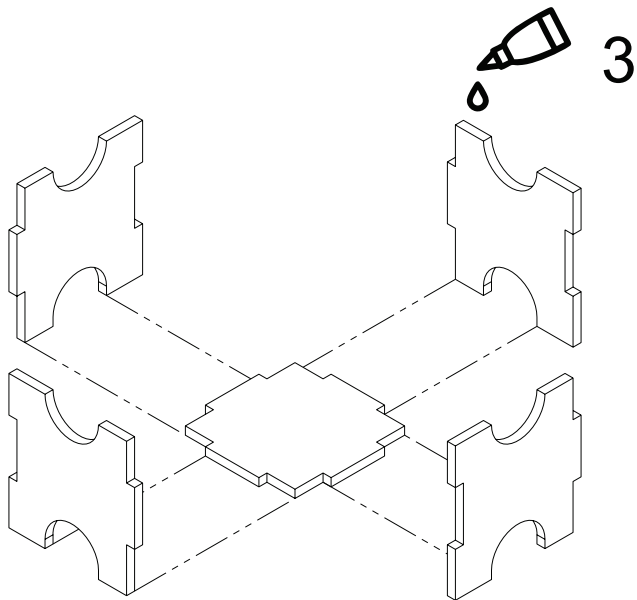
x1

DMS-DT-P16

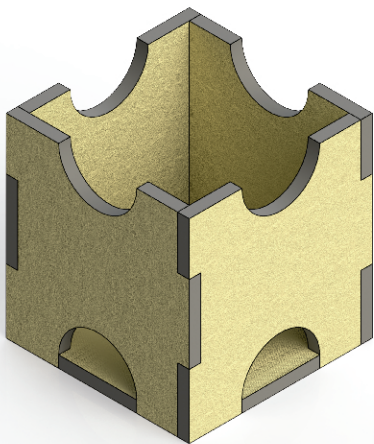


x4

DMS-DT-P17



3



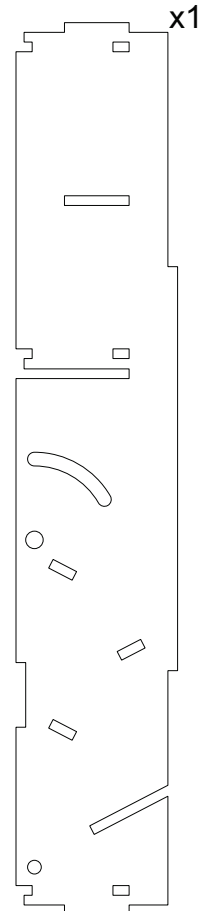
x2

DMS-DT-A01



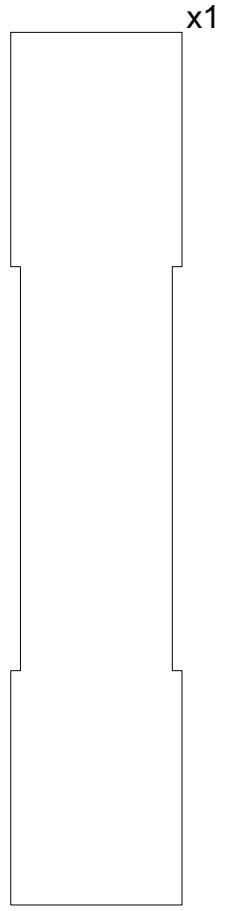
Parts

Sheet



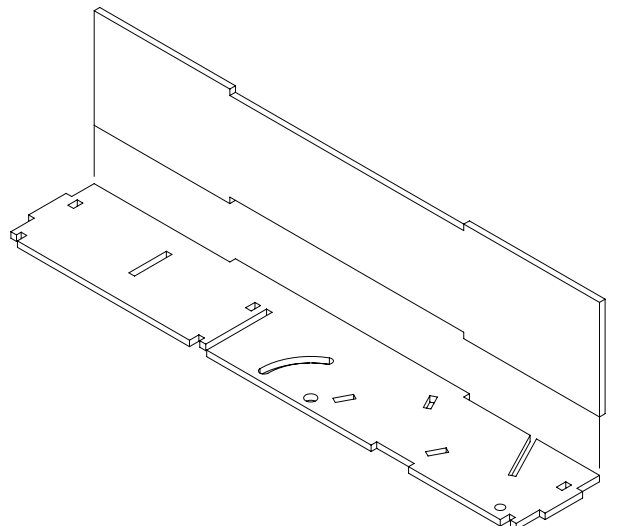
x1

DMS-DT-P01



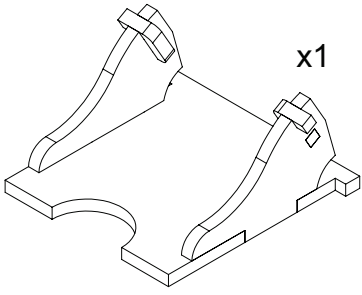
x1

DMS-DT-P02



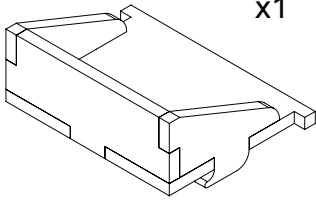
4

Parts Sheet



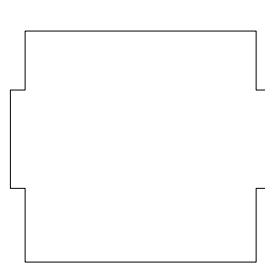
x1

DMS-DT-A02



x1

DMS-DT-A03



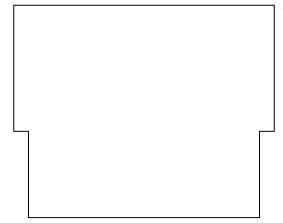
x1

DMS-DT-P06



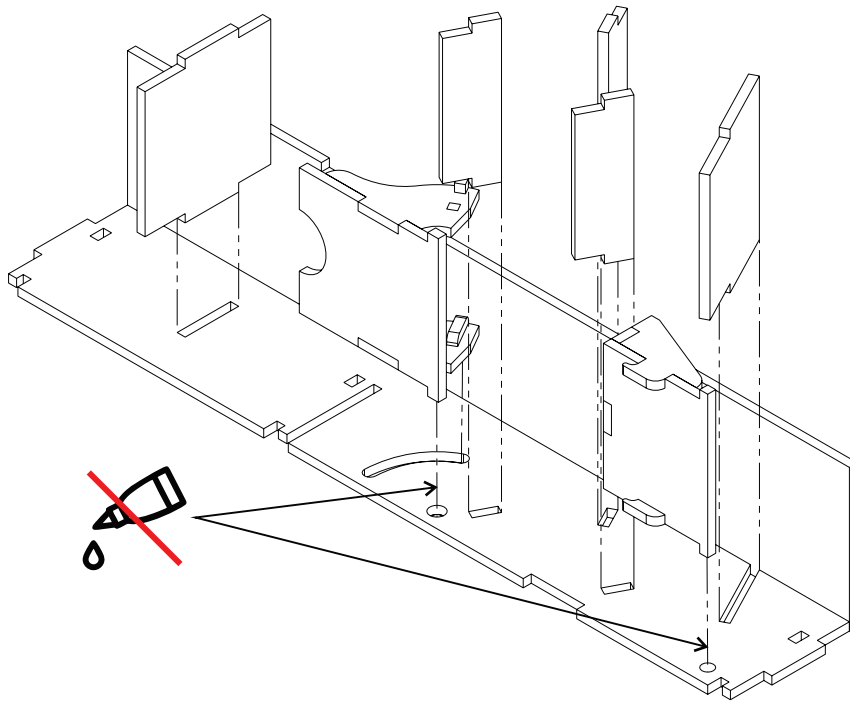
x3

DMS-DT-P07



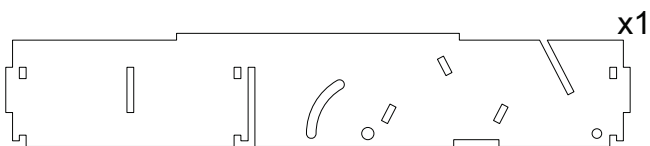
x1

DMS-DT-P08



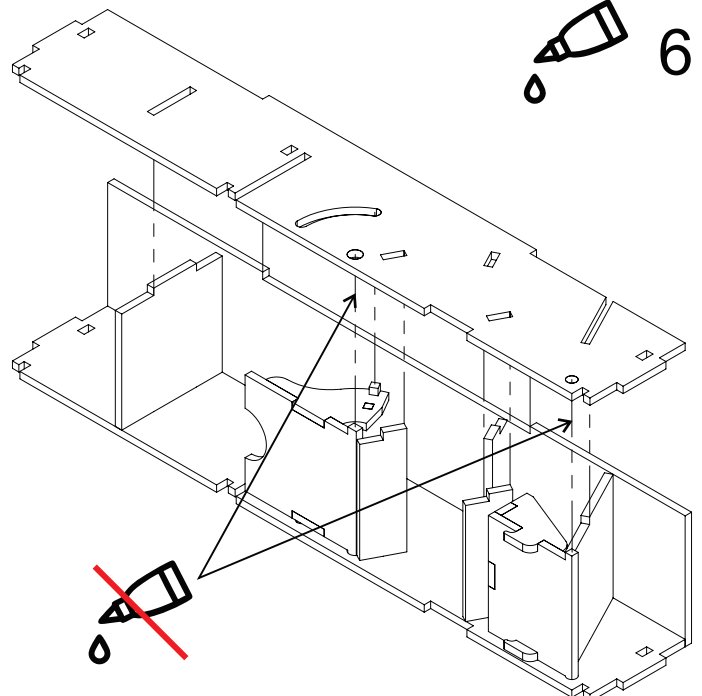
5

Parts Sheet



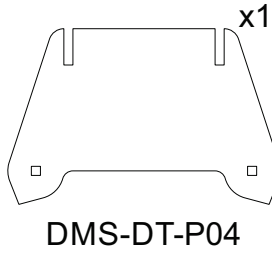
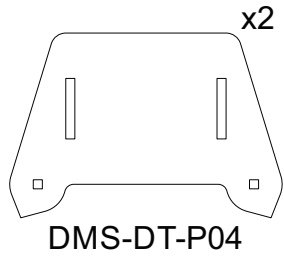
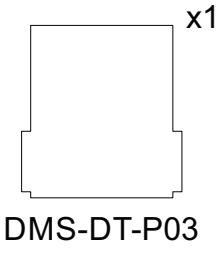
x1

DMS-DT-P01

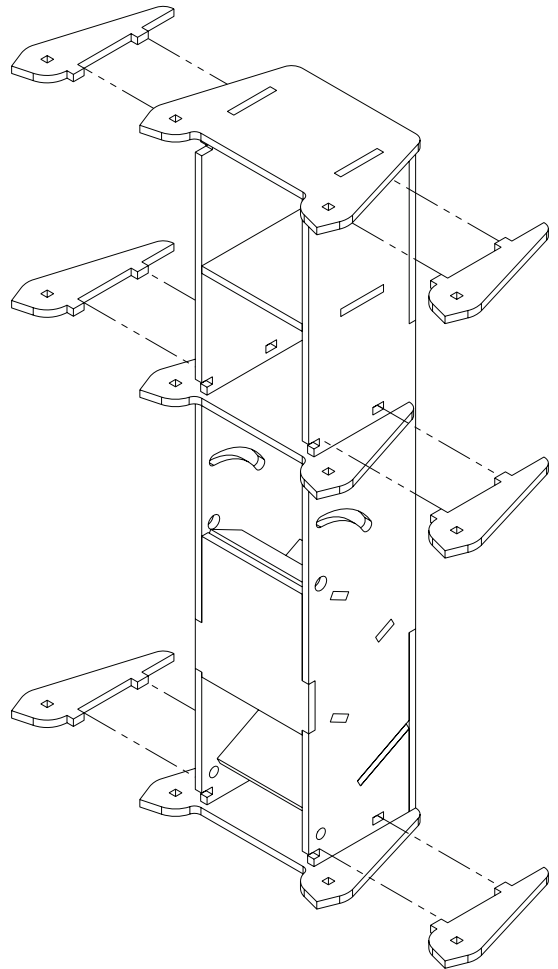
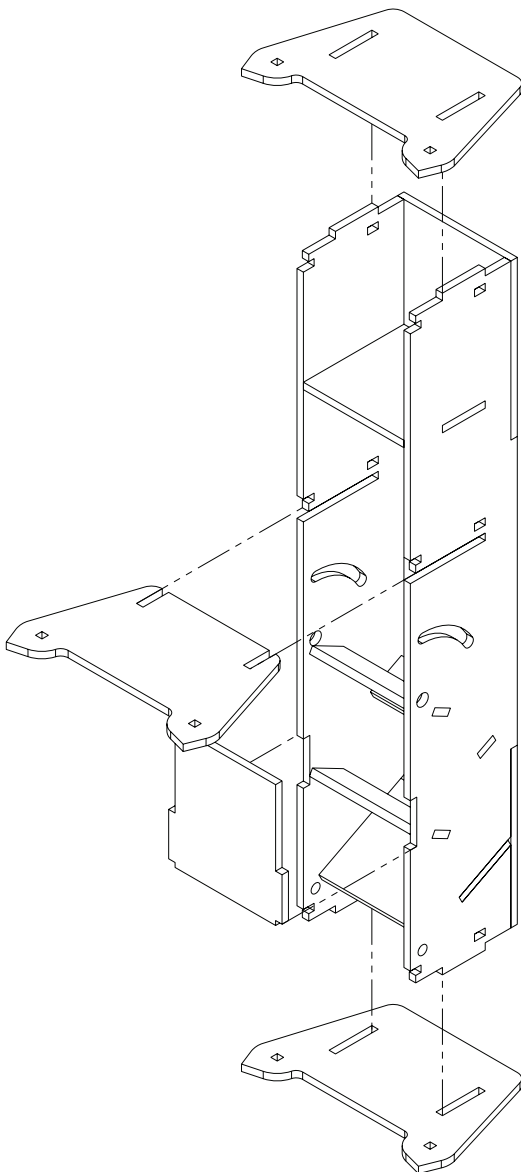
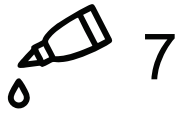
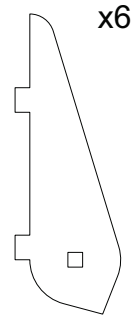


6

Parts Sheet

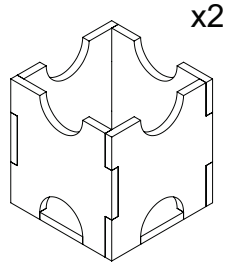
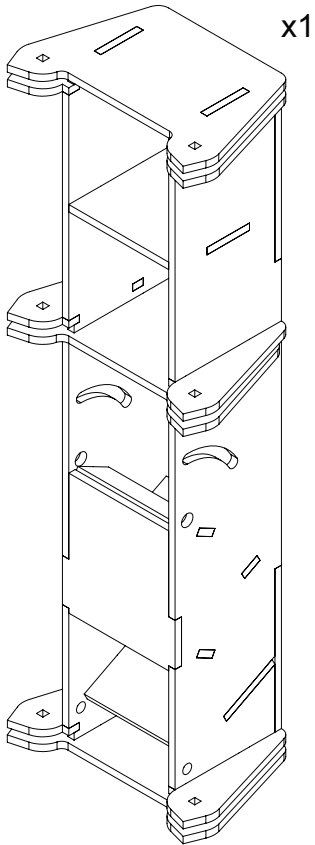


Parts Sheets

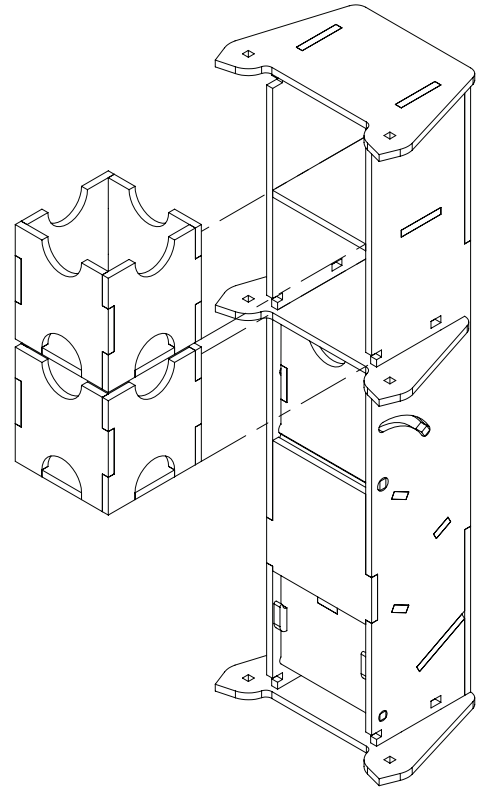


Flip Upright

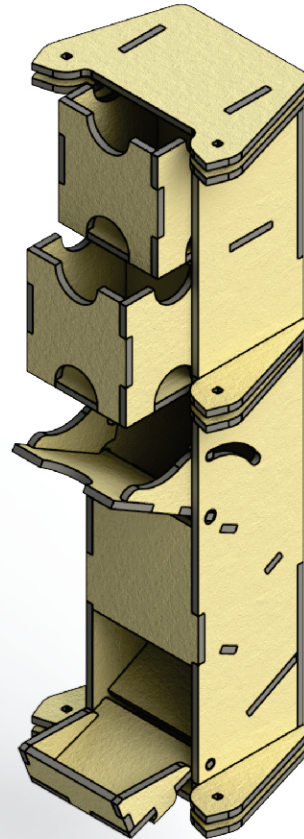
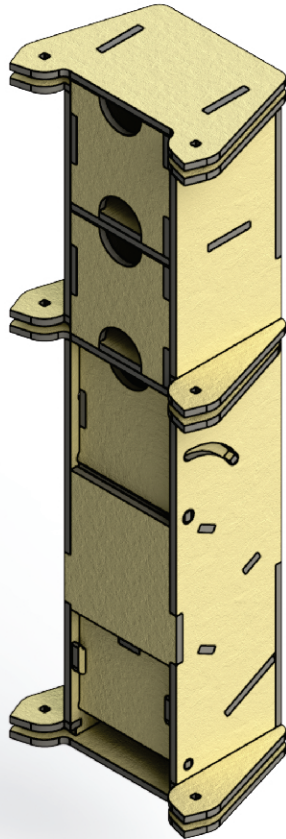
Parts Sheet



DMS-DT-A04



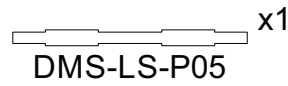
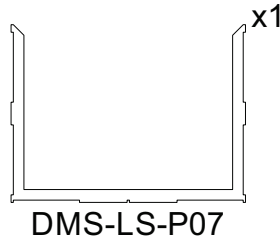
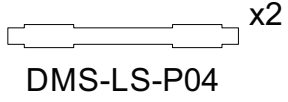
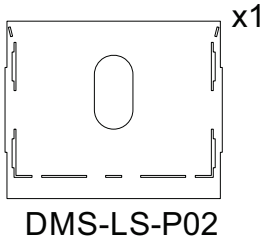
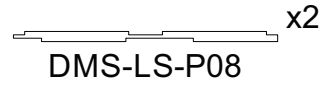
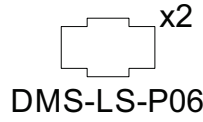
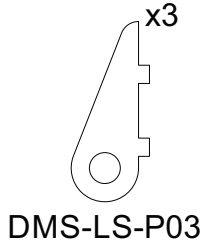
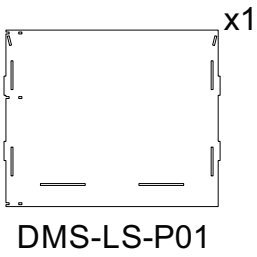
DMS-DT-A01



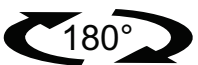
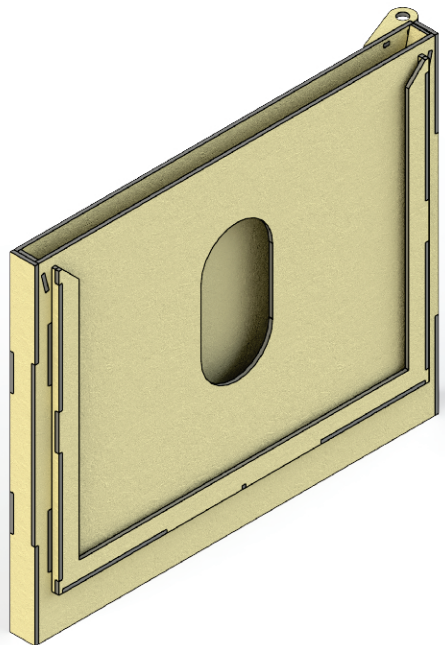
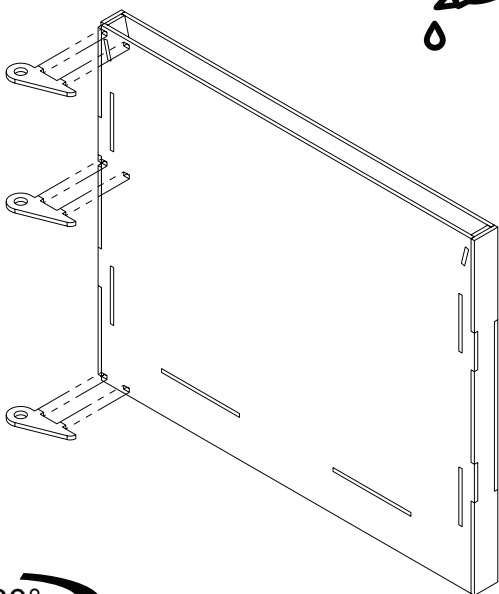
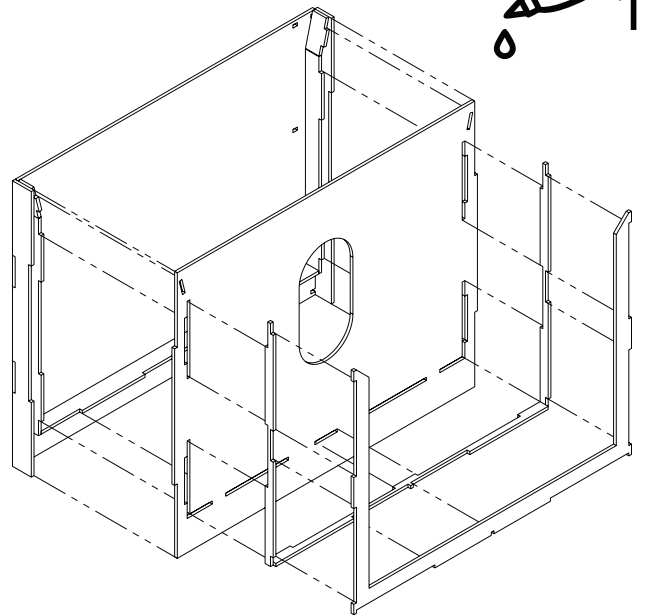
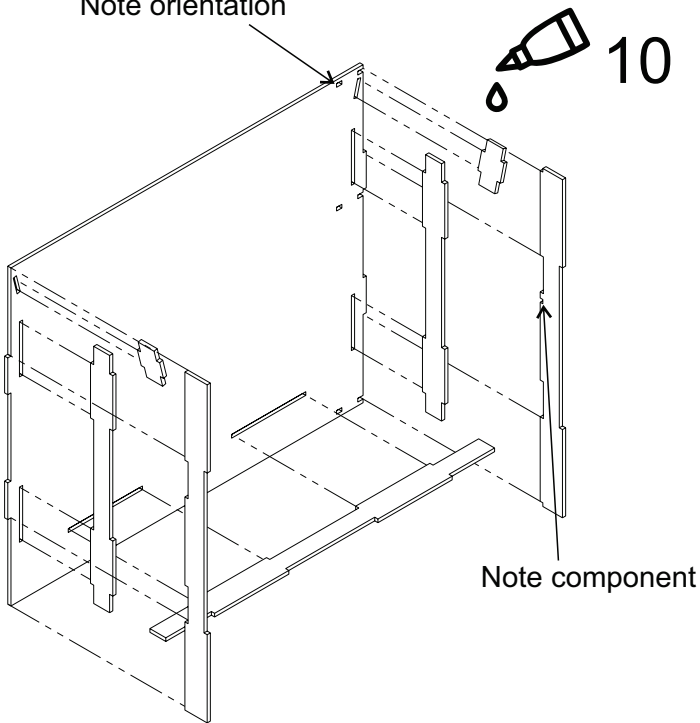
DMS-LS-A01

Parts

Sheet



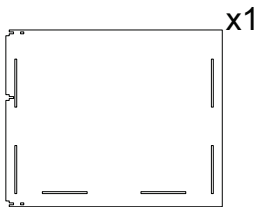
Note orientation



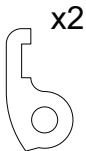
DMS-RS-A01

Parts

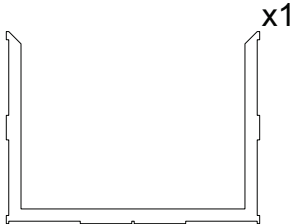
Sheet



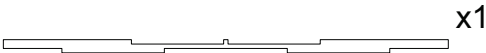
DMS-RS-P01



DMS-RS-P05



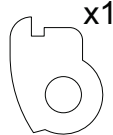
DMS-RS-P02



DMS-RS-P03

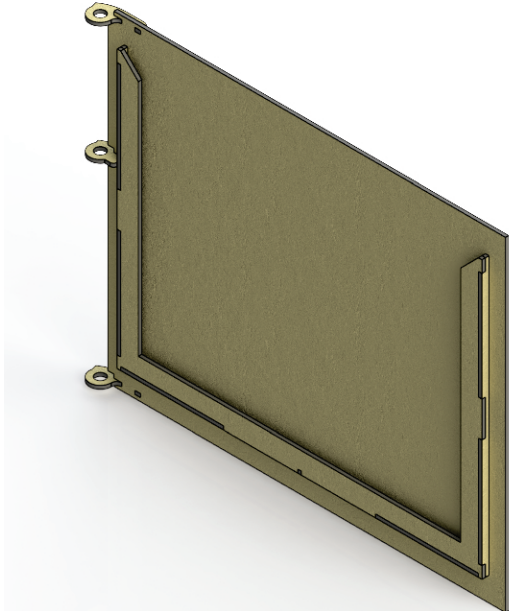
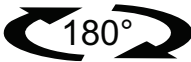
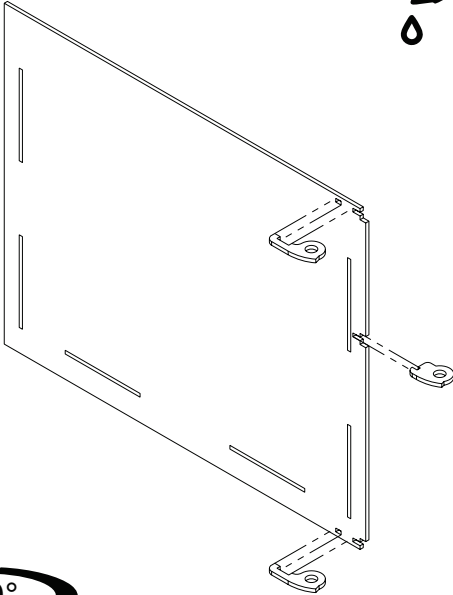
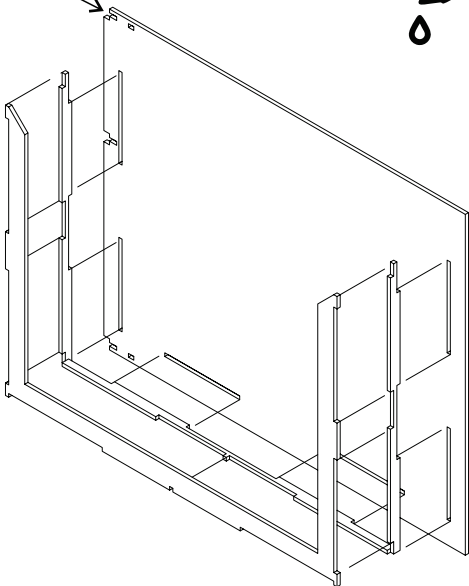


DMS-RS-P04



DMS-RS-P06

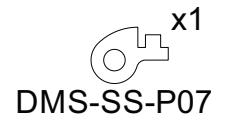
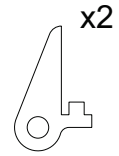
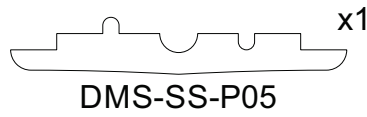
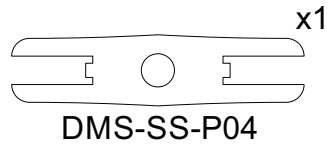
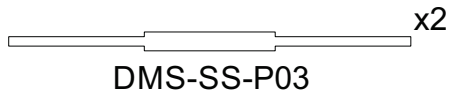
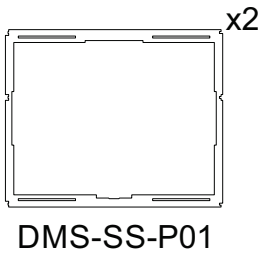
Note orientation



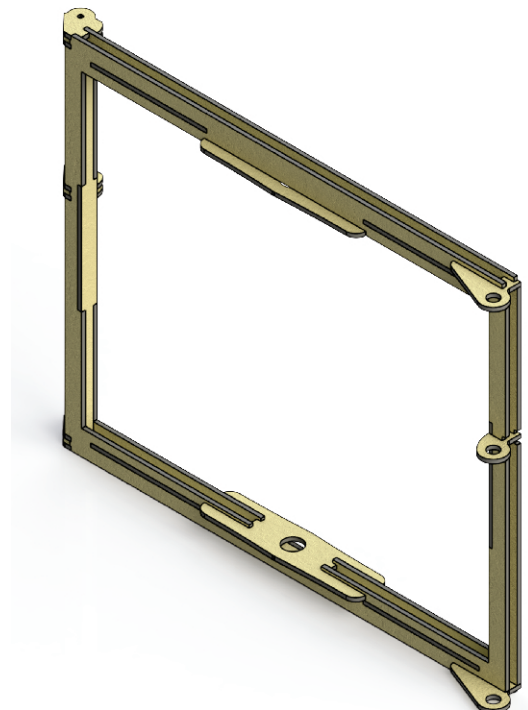
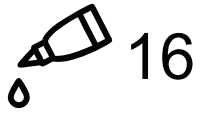
DMS-SS-A01

Parts

Sheet



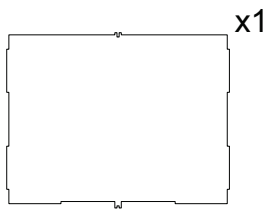
Note orientation



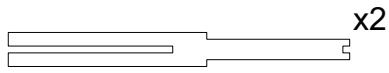
DMS-SS-A02

Parts

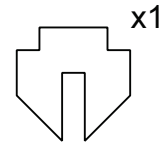
Sheet



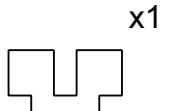
DMS-SS-P09



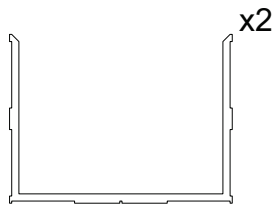
DMS-SS-P11



DMS-SS-P13



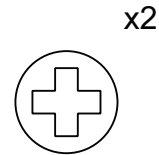
DMS-SS-P14



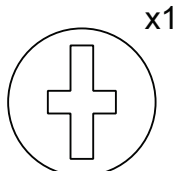
DMS-SS-P10



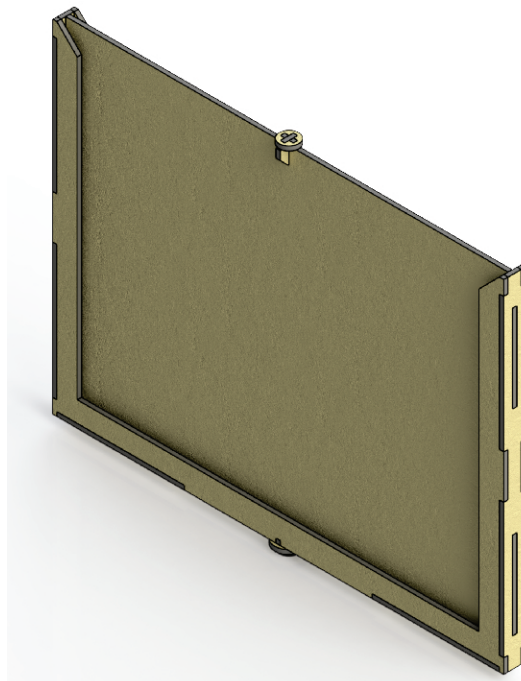
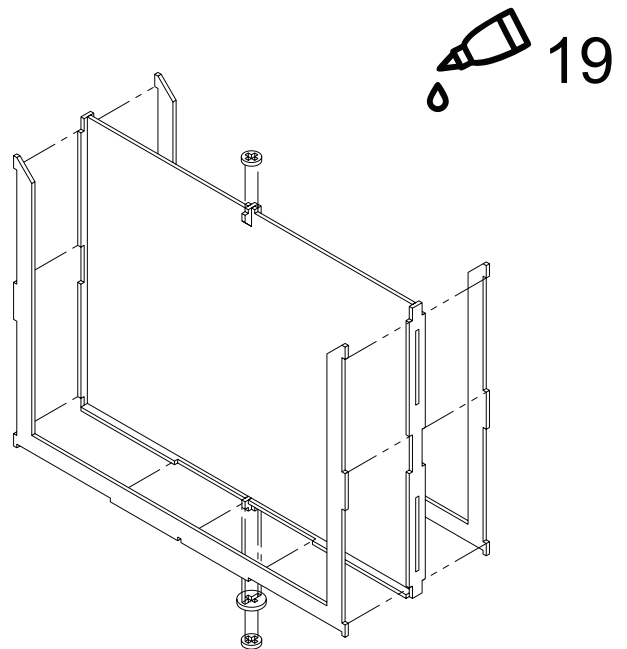
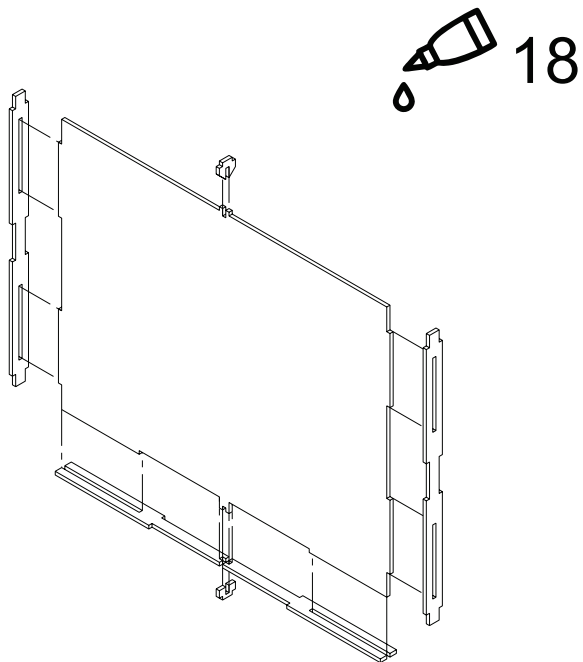
DMS-SS-P12



DMS-SS-P15



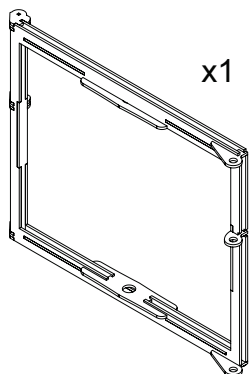
DMS-SS-P16



DMS-SS-A03

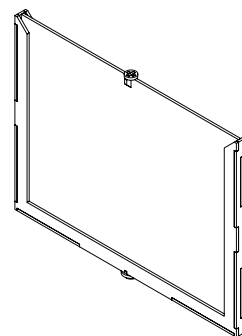
Parts

Sheet



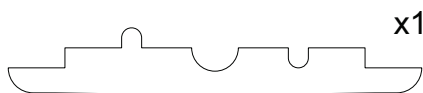
x1

DMS-SS-A01



x1

DMS-SS-A02

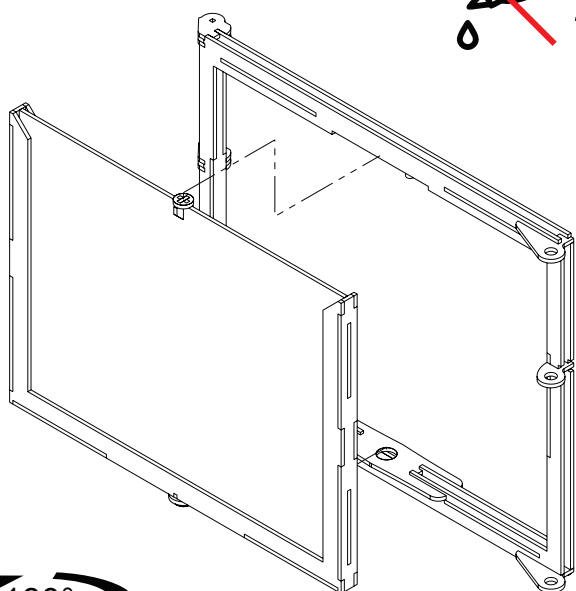


x1

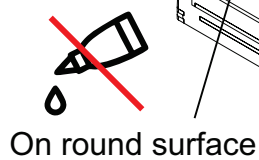
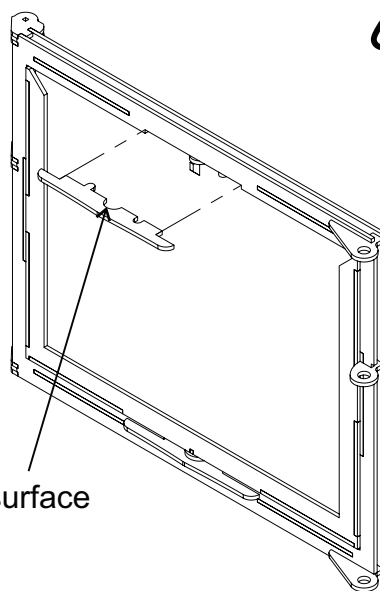
DMS-SS-P05



20



21



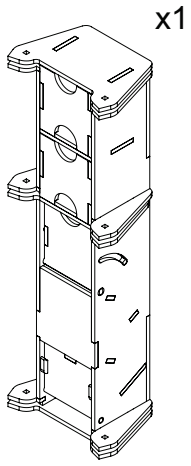
On round surface



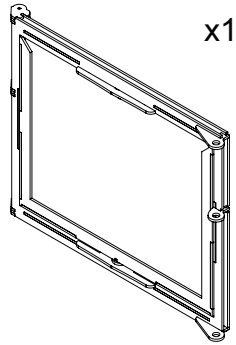
DMS-A01

Parts

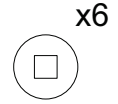
Sheet



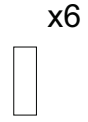
DMS-DT-A05



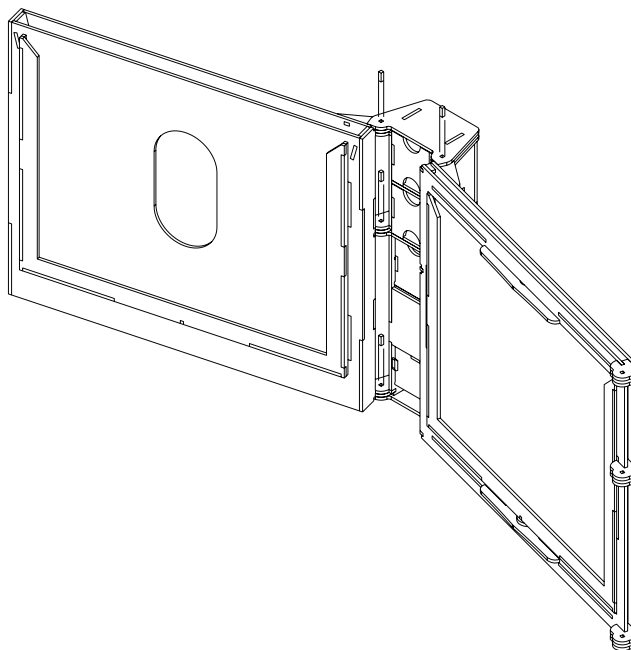
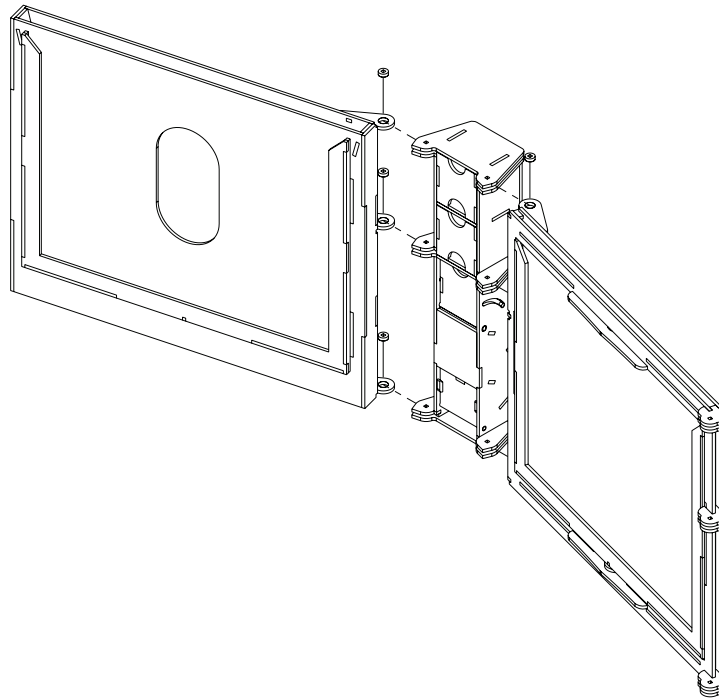
DMS-SS-A03



DMS-P01



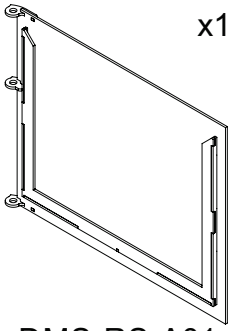
DMS-P02



Parts Sheet

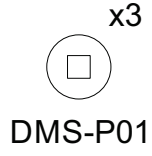


~~23~~



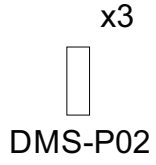
x1

DMS-RS-A01



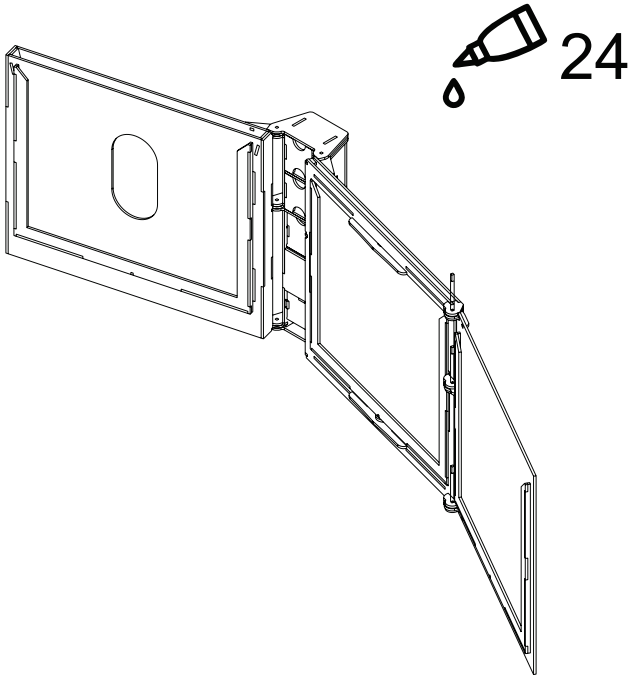
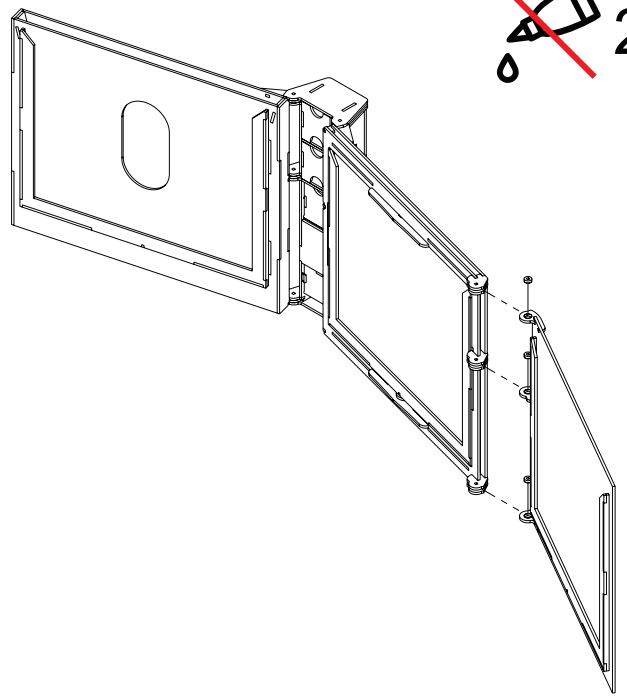
x3

DMS-P01



x3

DMS-P02



~~24~~

