

# LabWorkX Step Up Assembly Instructions



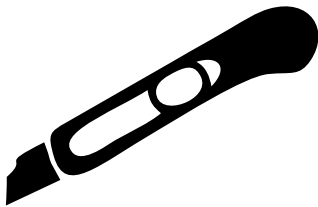
## Important info and symbols.

You will need a sharp, narrow blade such as a utility or a hobby knife and some wood glue.

Some parts of the assembly has to be able to move. Be careful to not get glue into those areas, and allow glue to dry on parts before sliding them into place.

Parts are named sheet first, part second. Ex. 2.5 means sheet two, part 5. Parts that are the same, have the same number.

NB!!! Please do not print out these instructions unless absolutely necessary.



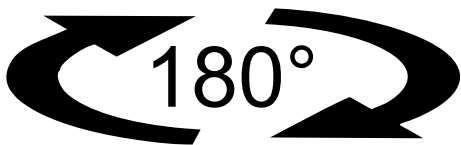
Cutting required



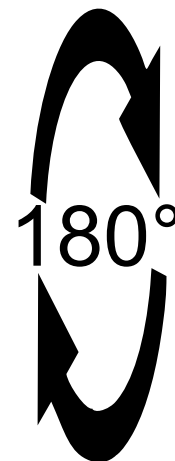
Glue required



Do not glue



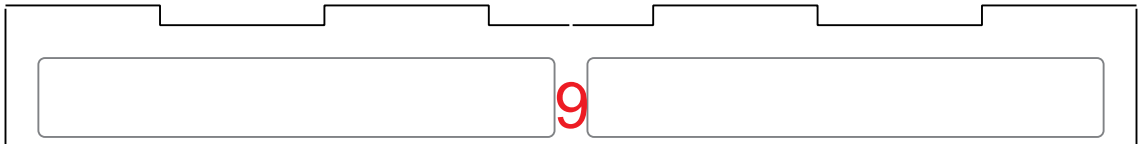
Turn horizontally



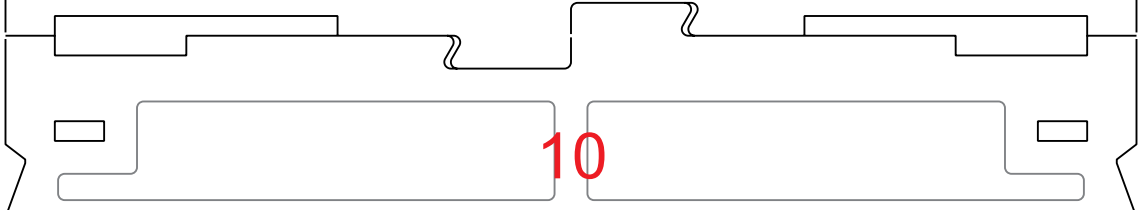
Turn vertically



Warning: Choking hazard. Kit contains small parts.  
Not suitable for children under 3 years old.



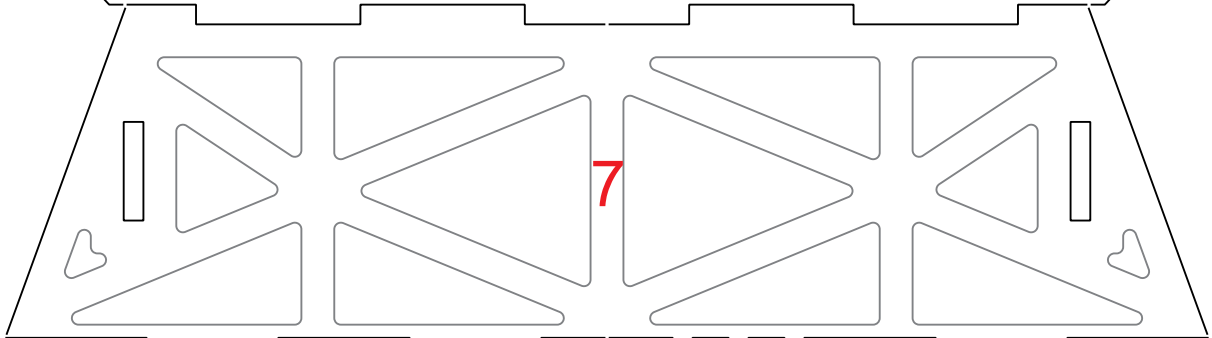
9



10



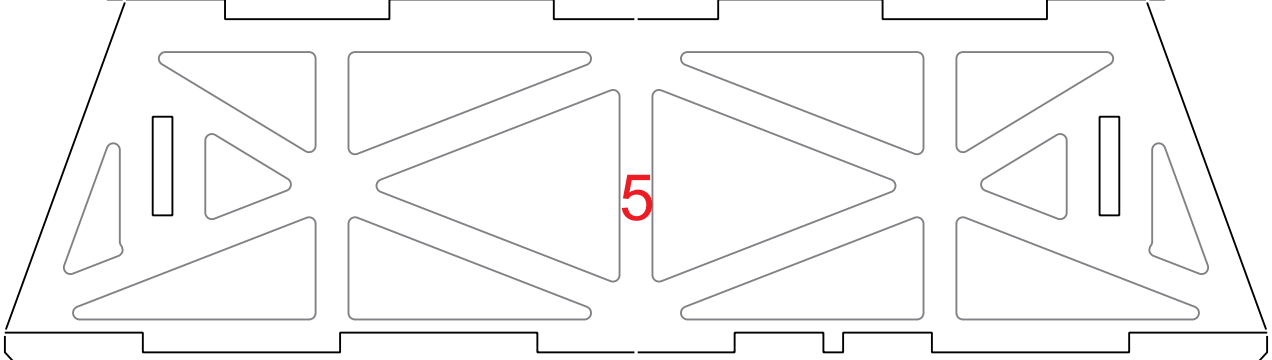
8



7



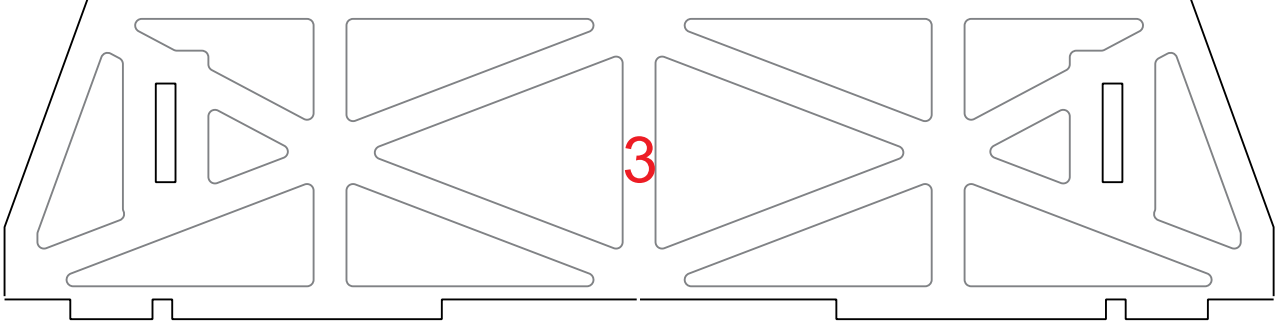
6



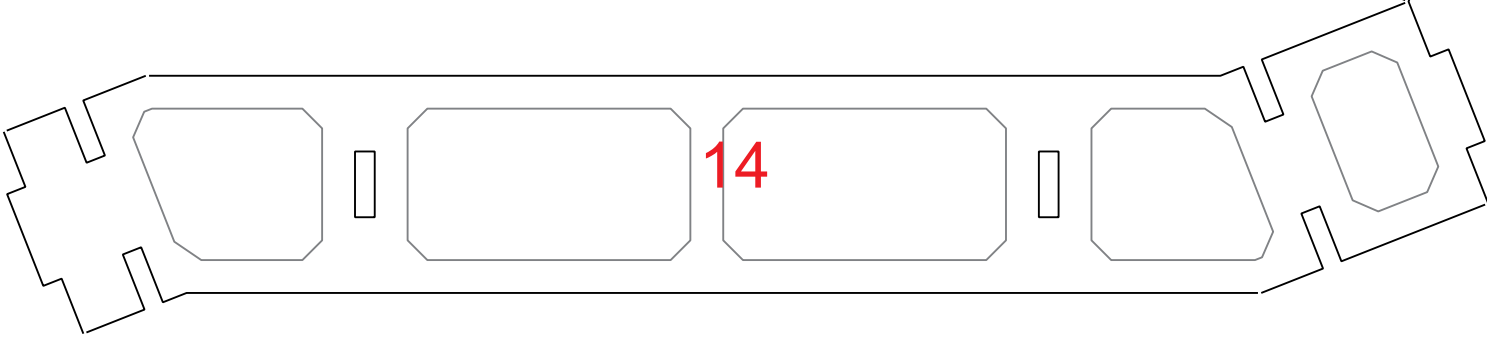
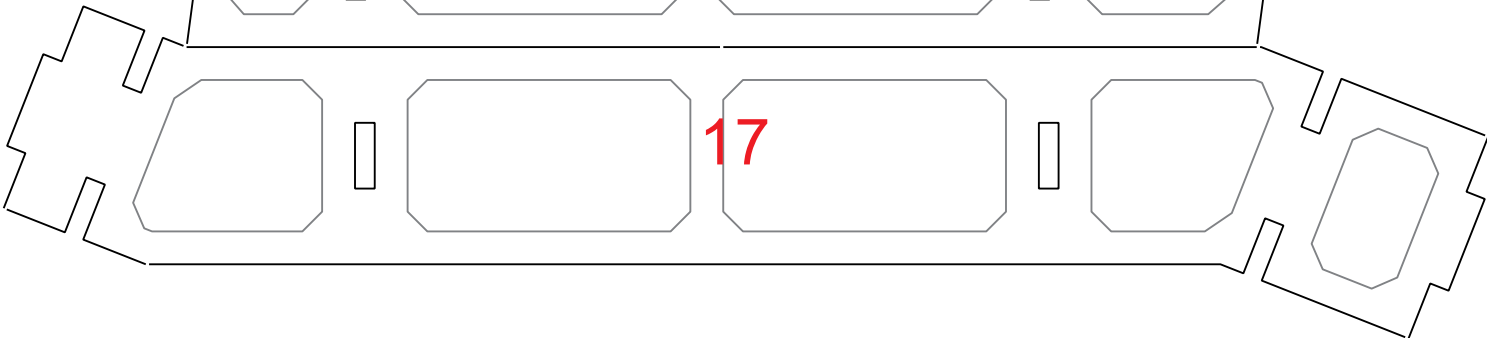
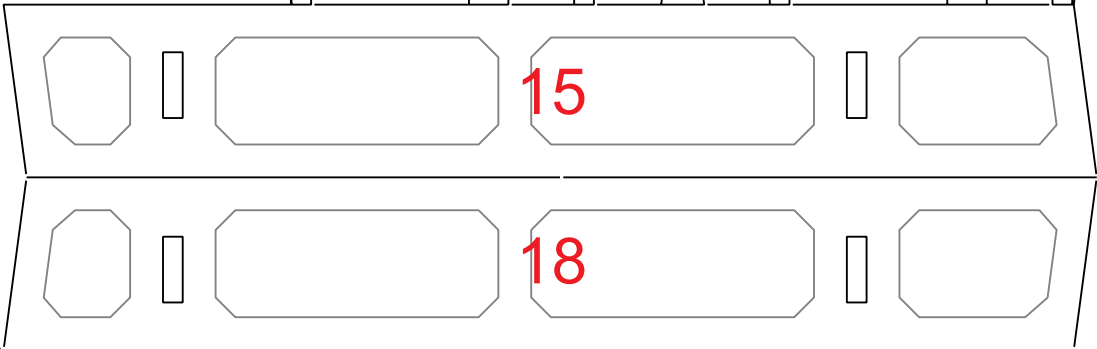
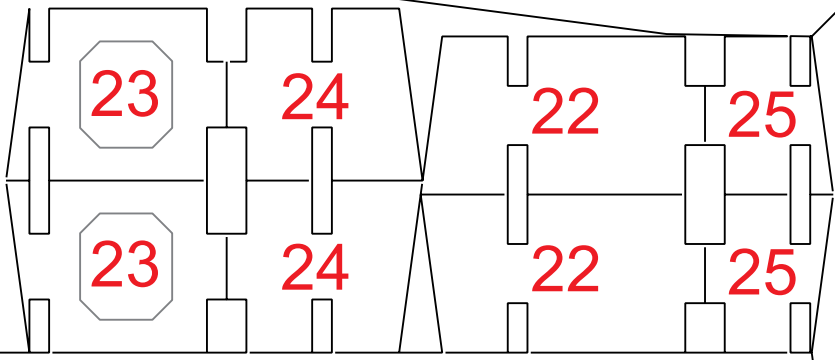
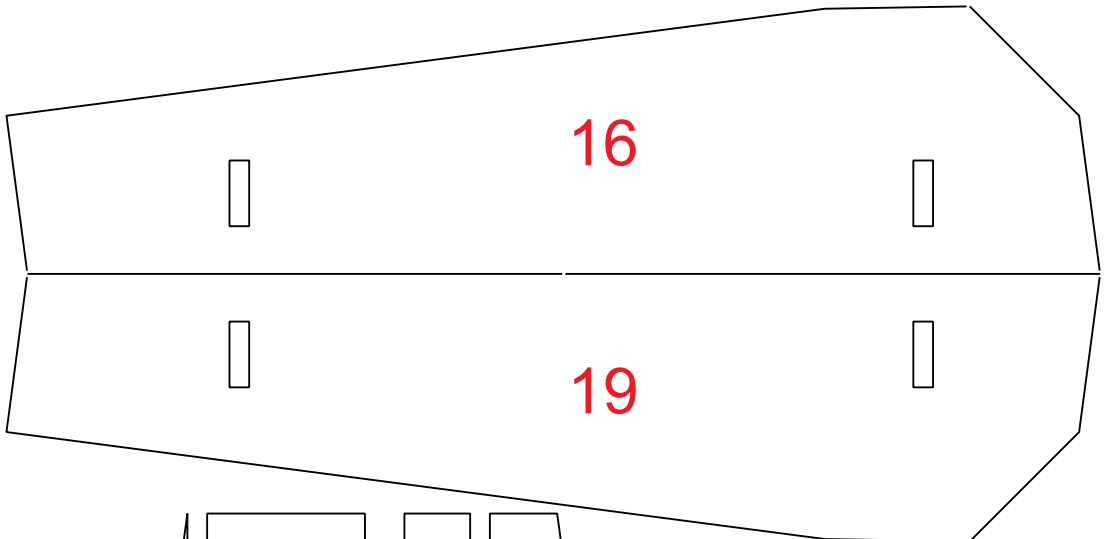
5



4



3



11

2

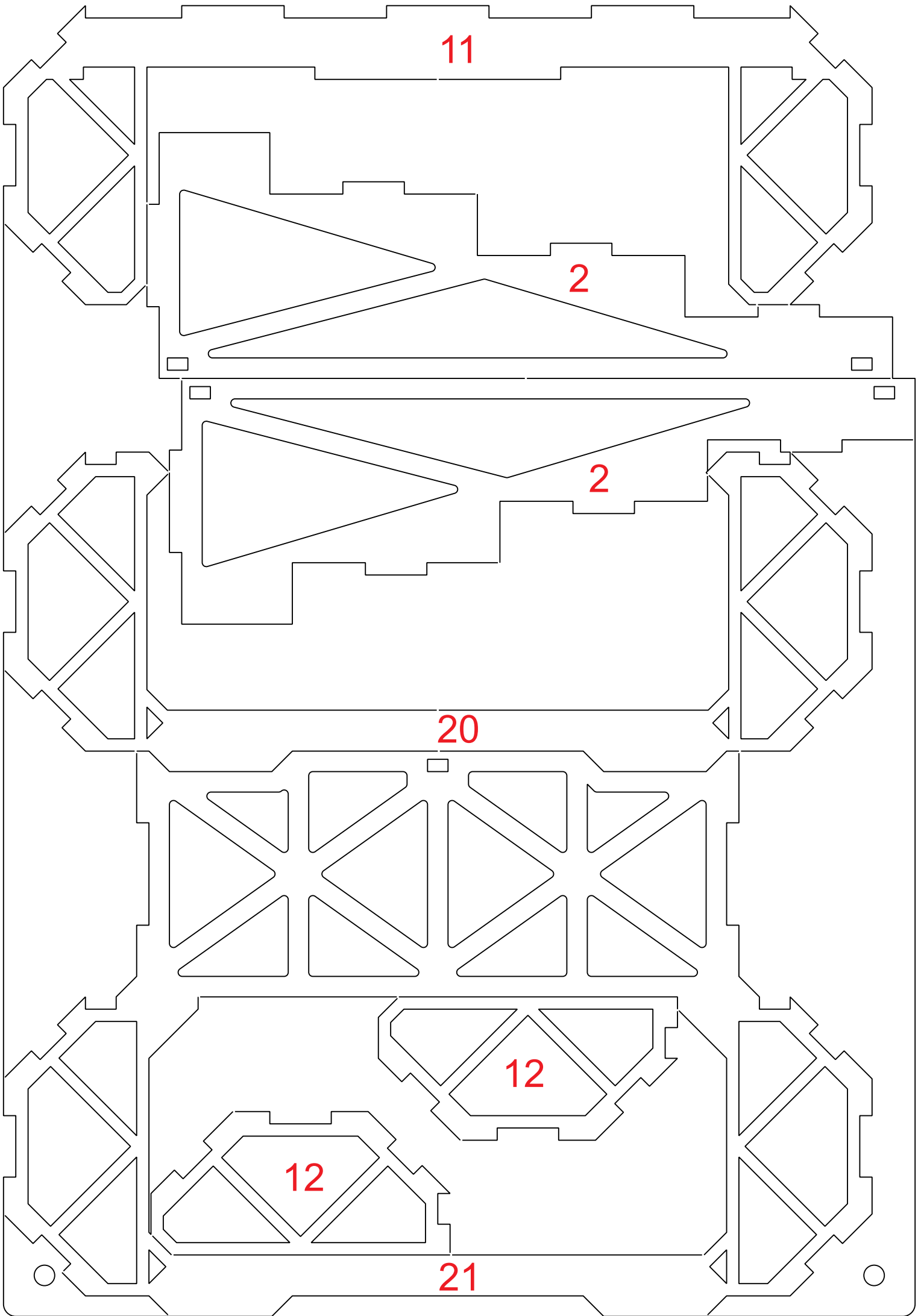
2

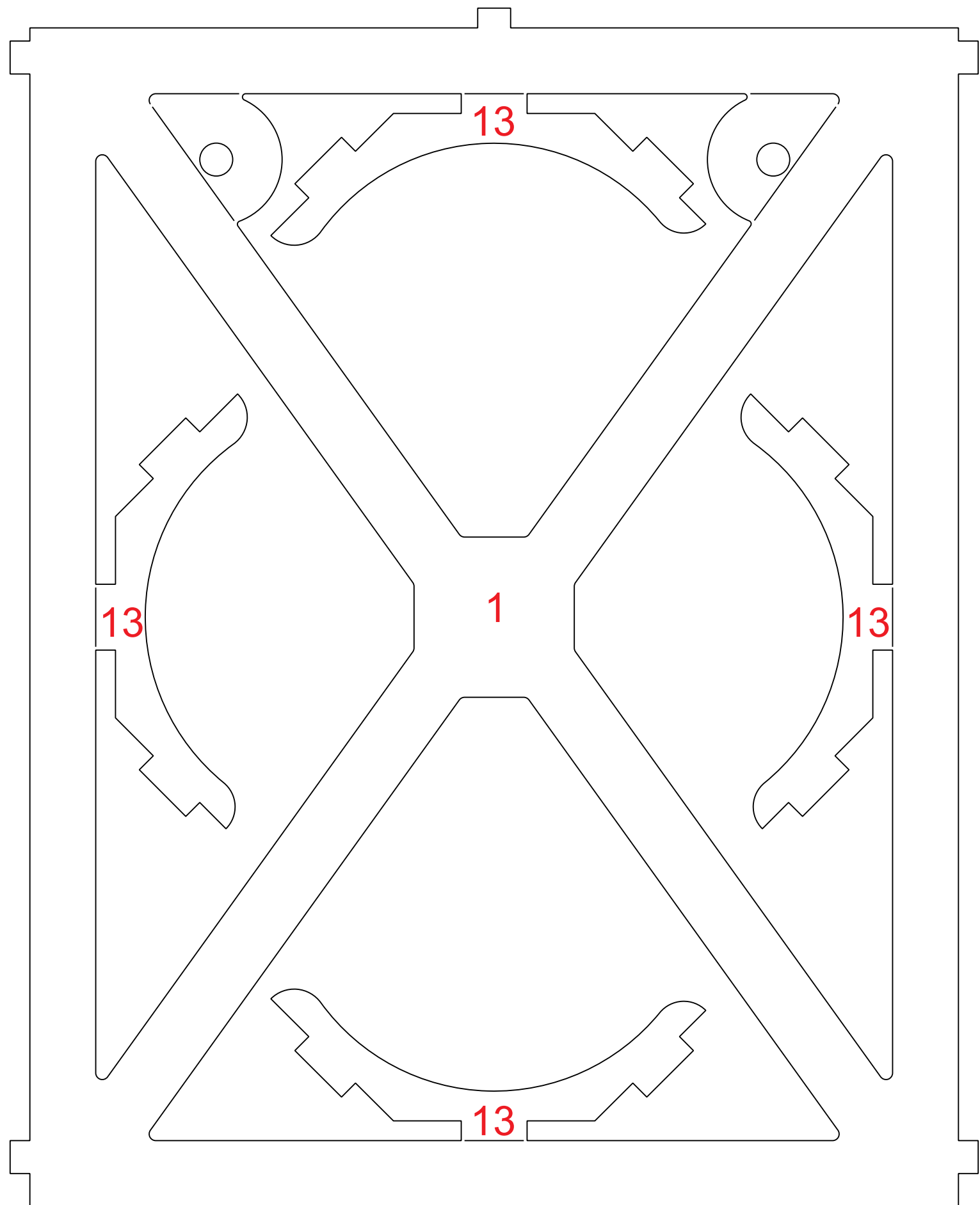
20

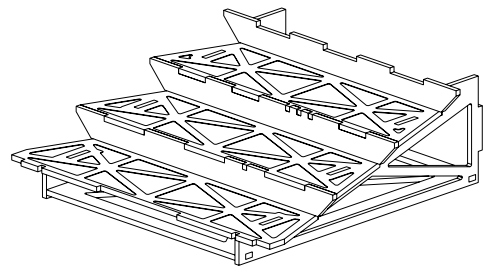
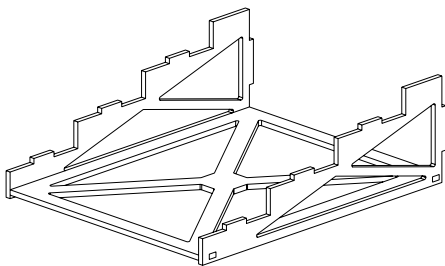
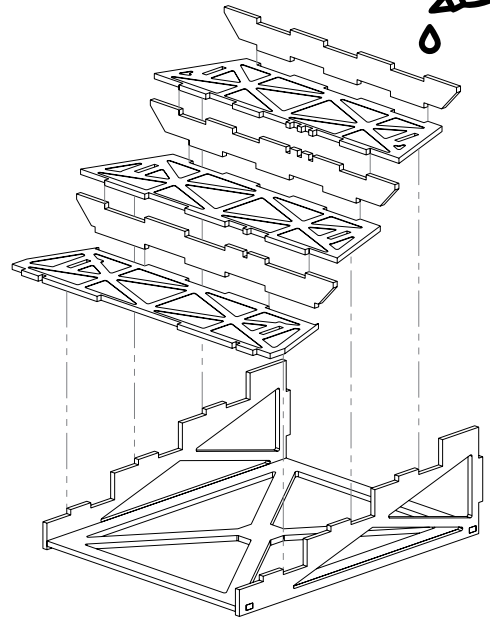
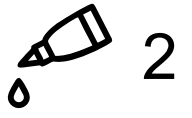
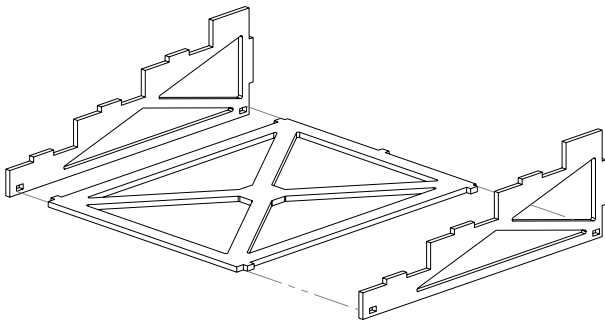
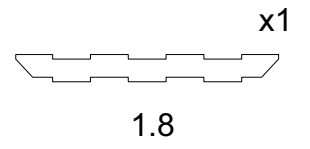
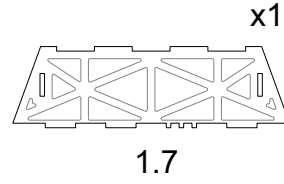
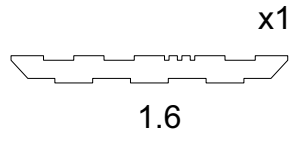
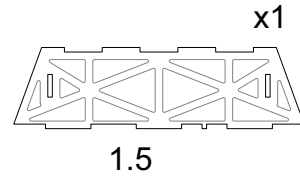
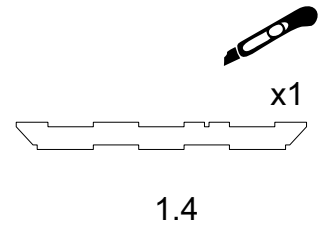
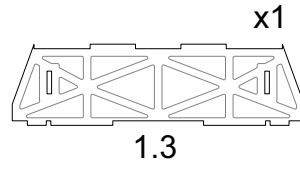
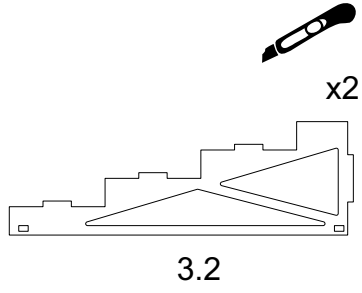
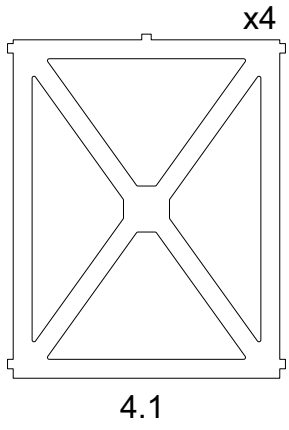
12

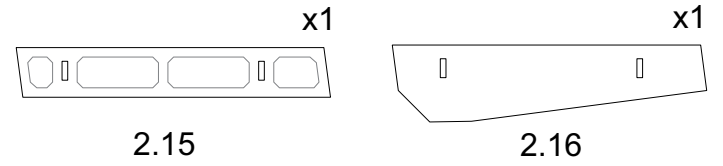
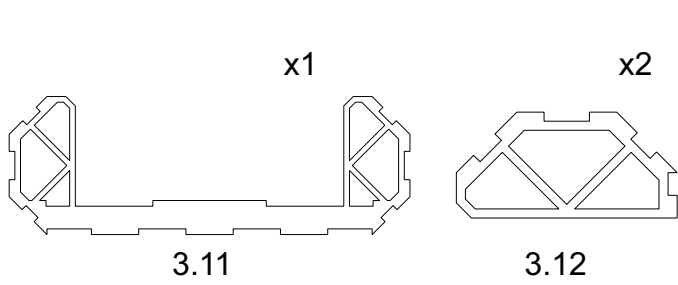
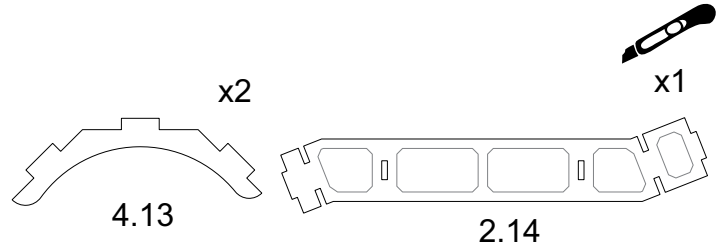
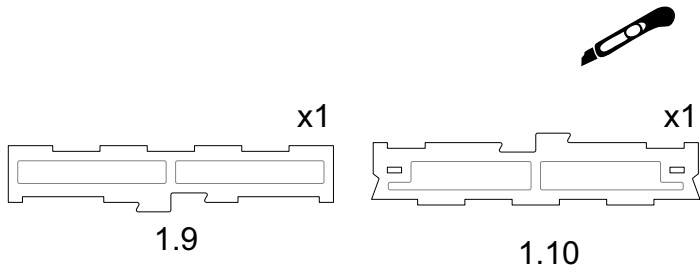
12

21

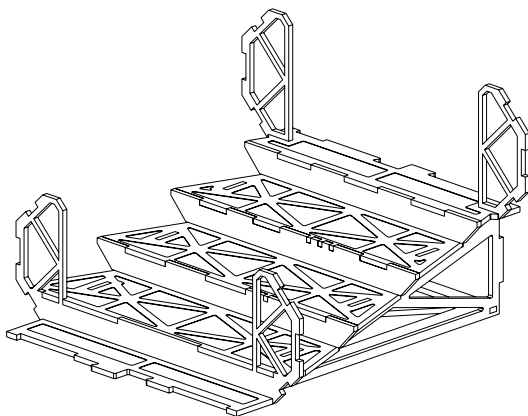
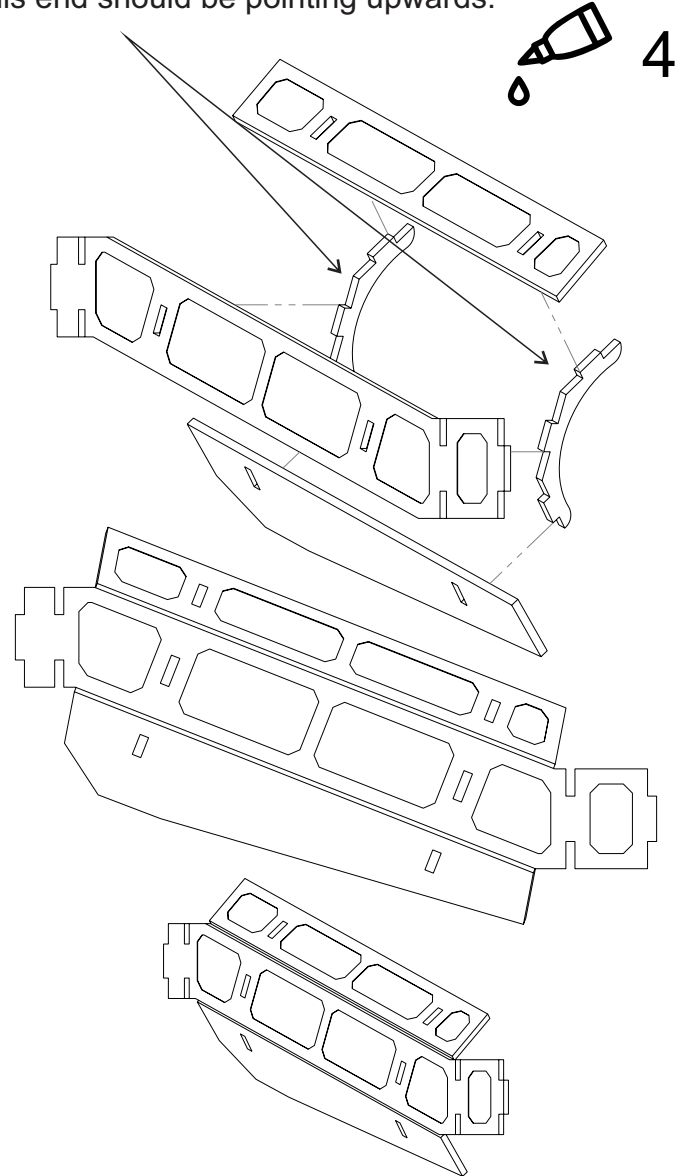
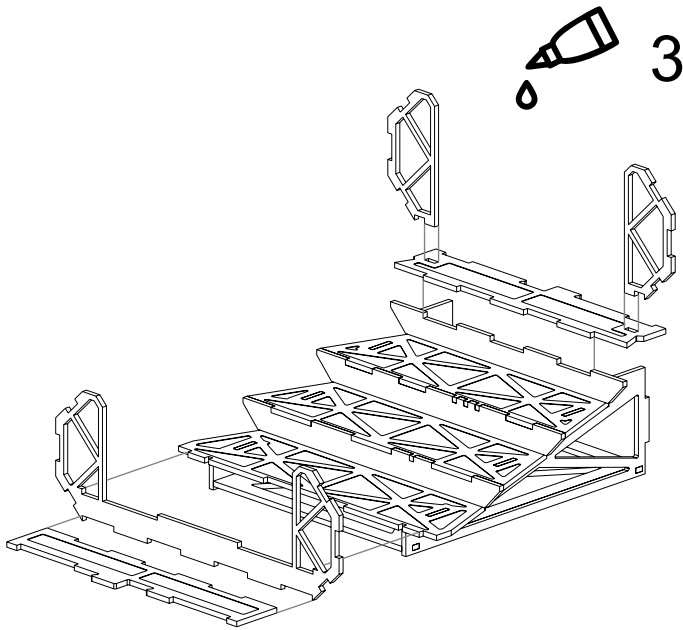






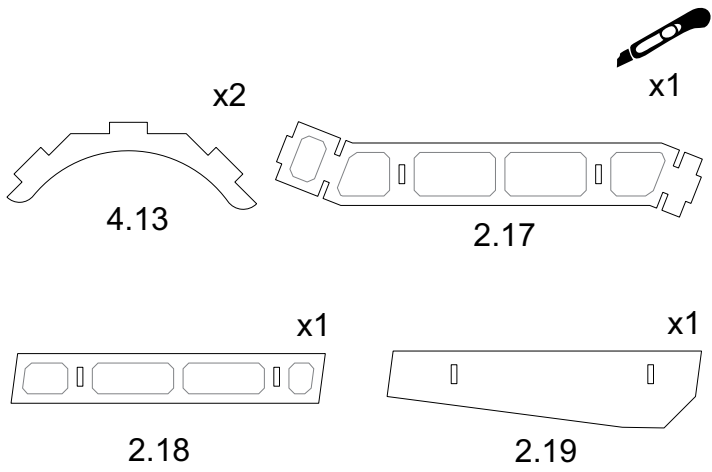


One of the ends is slightly longer.  
This end should be pointing upwards.



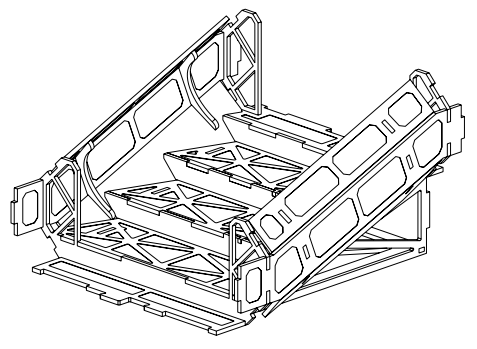
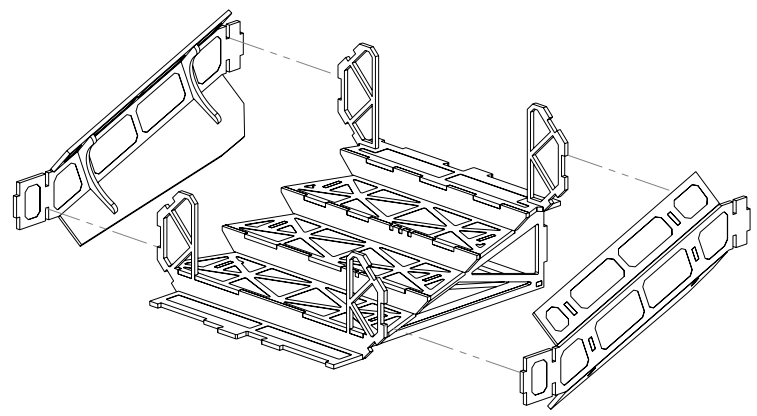
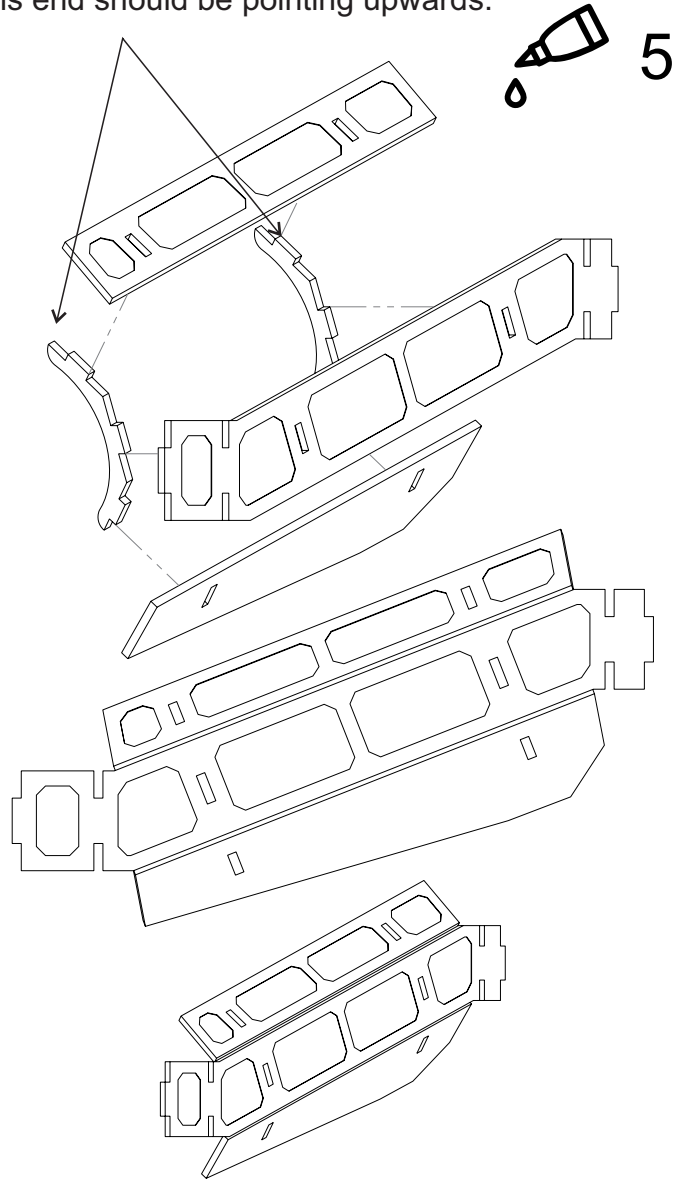
**!** Take careful note of the orientation and placement of parts. This will impact whether or not your kit will go together in the end.



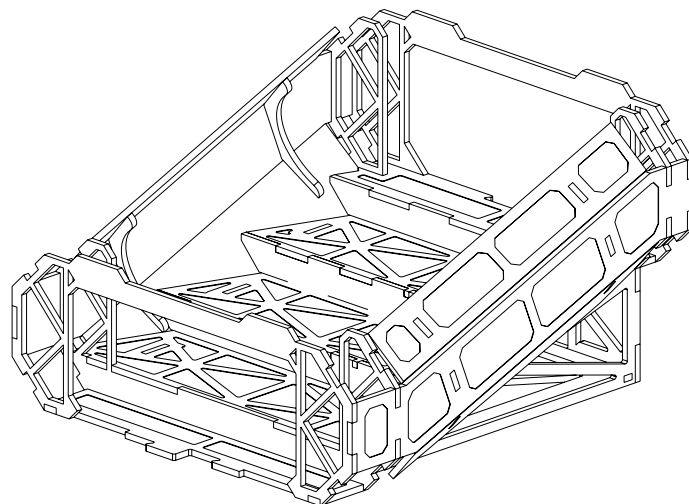
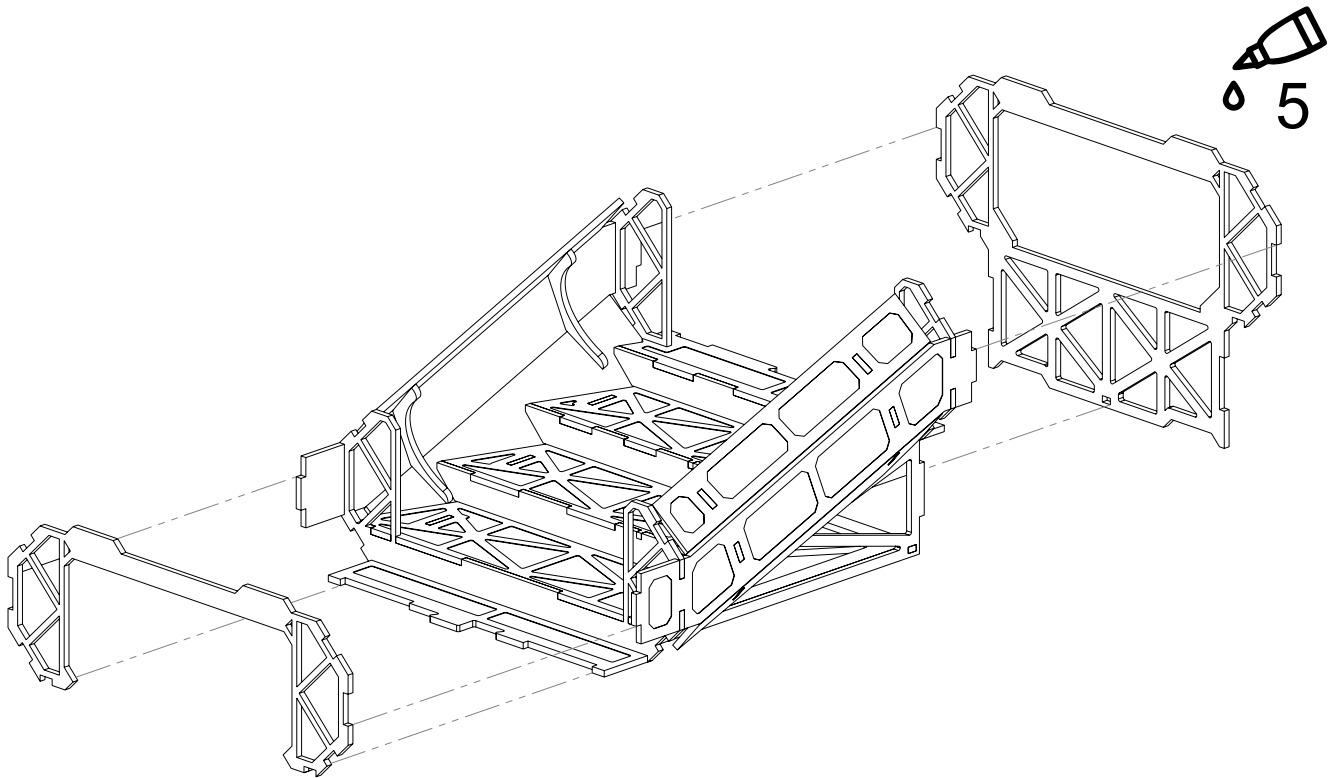
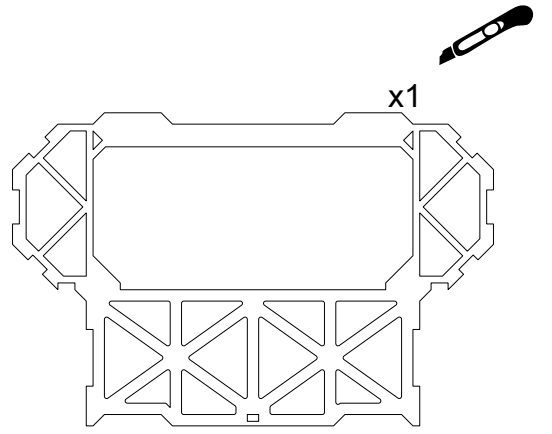
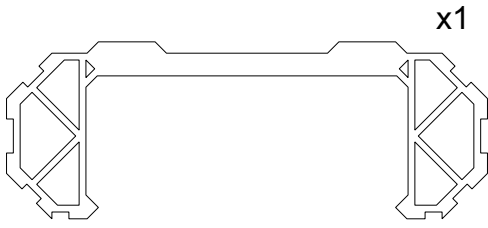


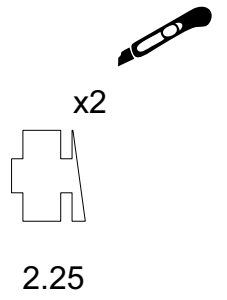
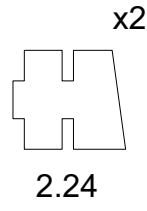
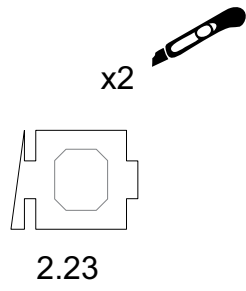
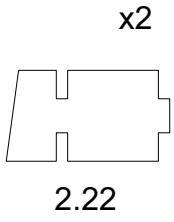
6

One of the ends is slightly longer.  
This end should be pointing upwards.



**!** Take careful note of the orientation and placement of parts. This will impact whether or not your kit will go together in the end.





Note: the parts are mirrored and will only go in one way. Dry fit the parts before gluing. If a part has engraving, the engraving goes on the outside.

Note: the parts are mirrored and will only go in one way. Dry fit the parts before gluing. If a part has engraving, the engraving goes on the outside.

