

# RBC - 1911

## Assembly Instructions



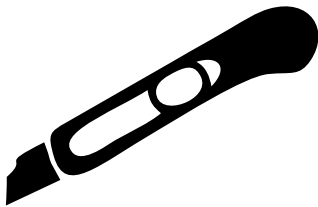
## Important info and symbols.

You will need a sharp, narrow blade such as a utility or a hobby knife and some wood glue.

Some parts of the assembly has to be able to move. Be careful to not get glue into those areas, and allow glue to dry on parts before sliding them into place.

Parts are named sheet first, part second. Ex. 2.5 means sheet two, part 5. Parts that are the same, have the same number.

NB!!! Please do not print out these instructions unless absolutely necessary.



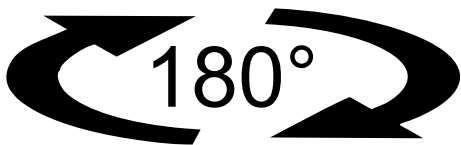
Cutting required



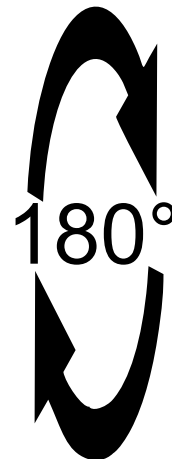
Glue required



Do not glue



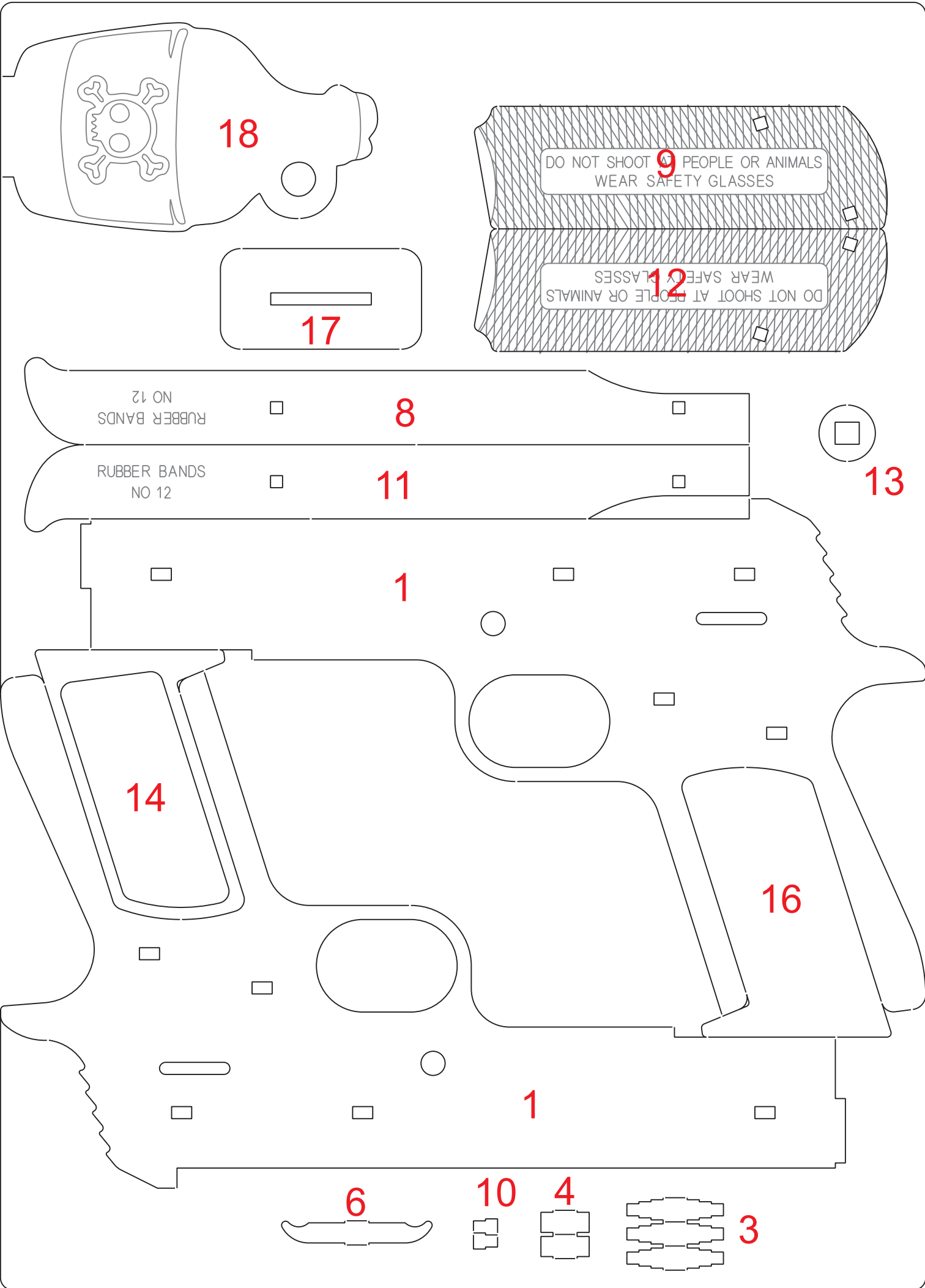
Turn horizontally



Turn vertically



Warning: Choking hazard. Kit contains small parts.  
Not suitable for children under 3 years old.



18

DO NOT SHOOT **9** AT PEOPLE OR ANIMALS  
WEAR SAFETY GLASSES

DO NOT SHOOT AT PEOPLE OR ANIMALS  
WEAR SAFETY GLASSES **12**

17

RUBBER BANDS  
NO 12

8

RUBBER BANDS  
NO 12

11

13

1

14

16

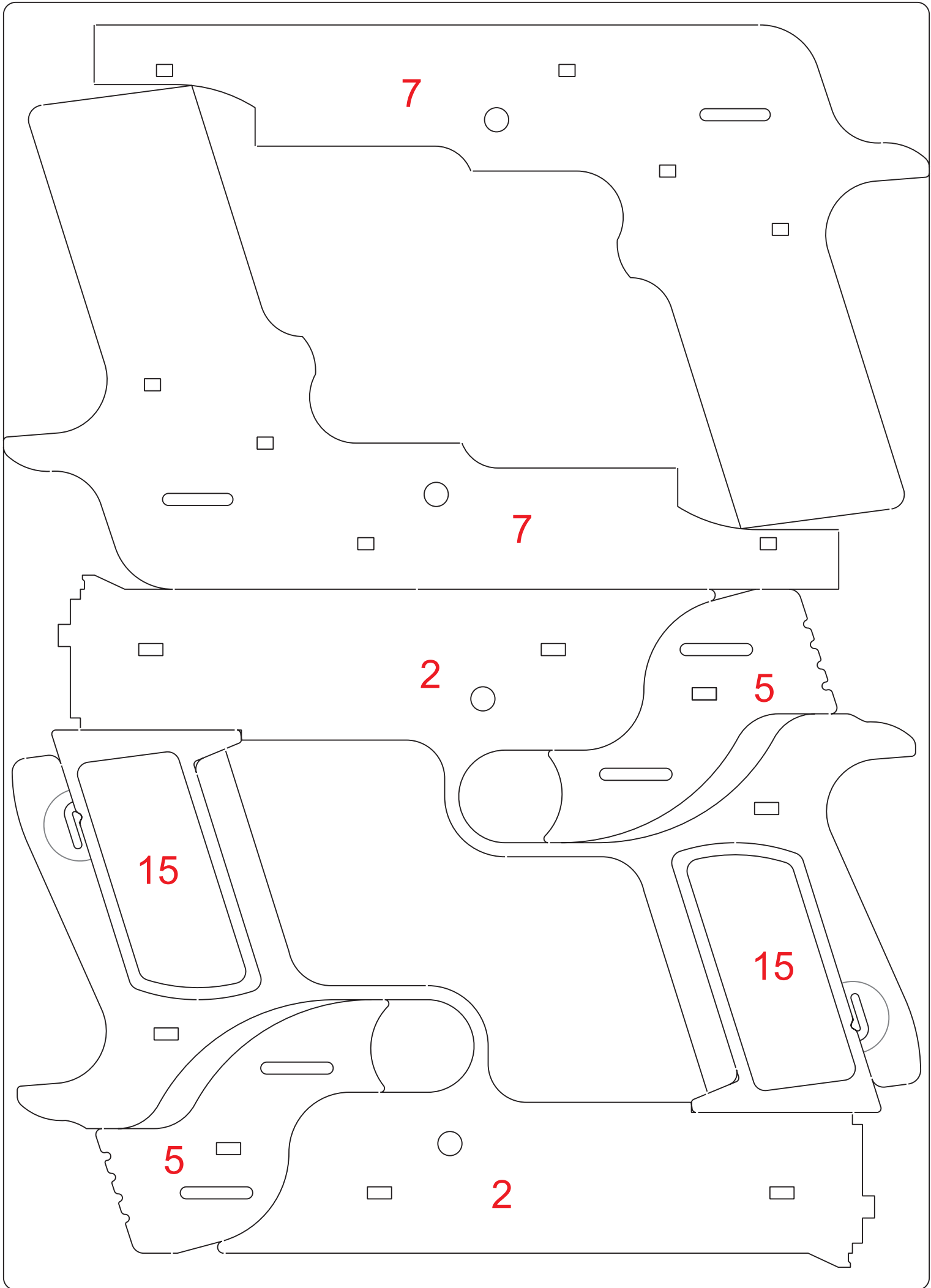
1

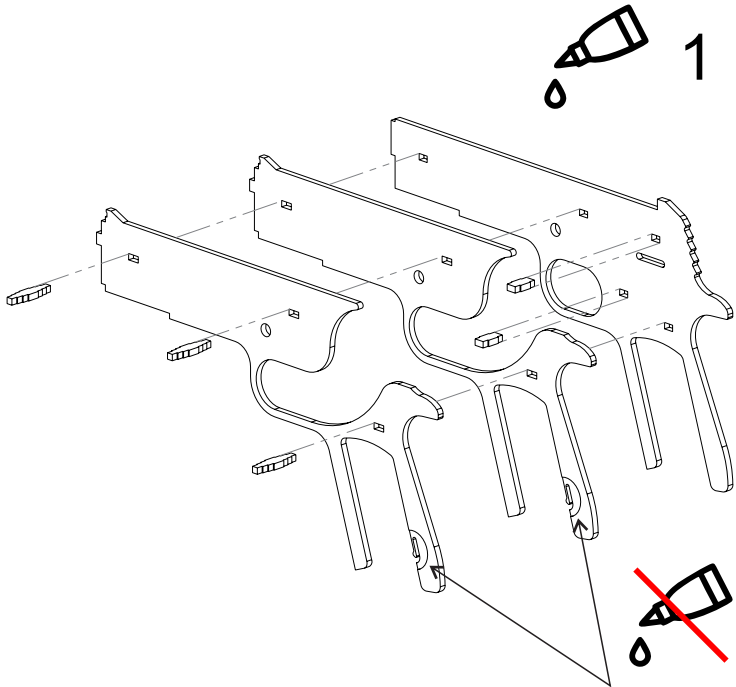
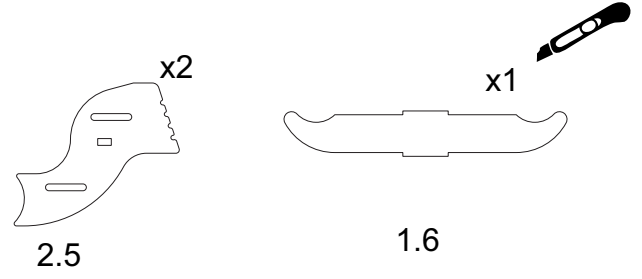
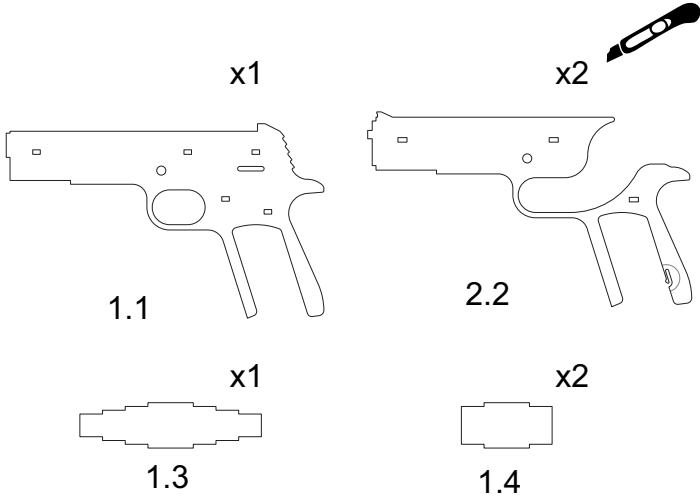
6

10

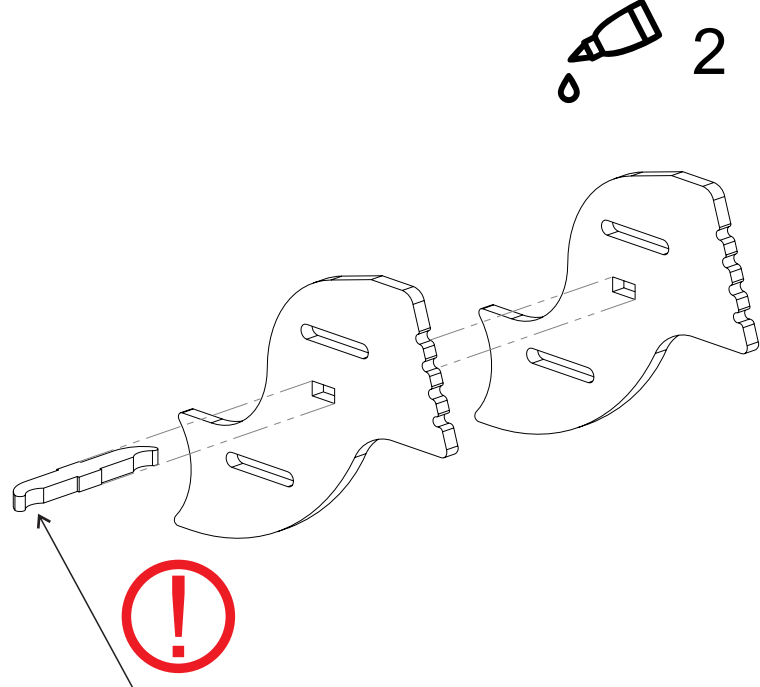
4

3

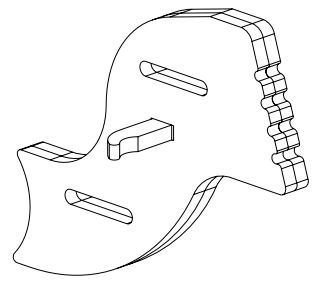
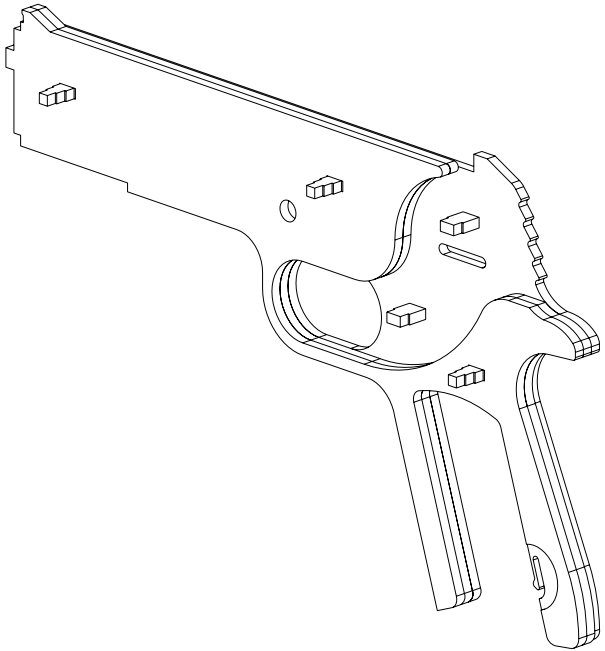


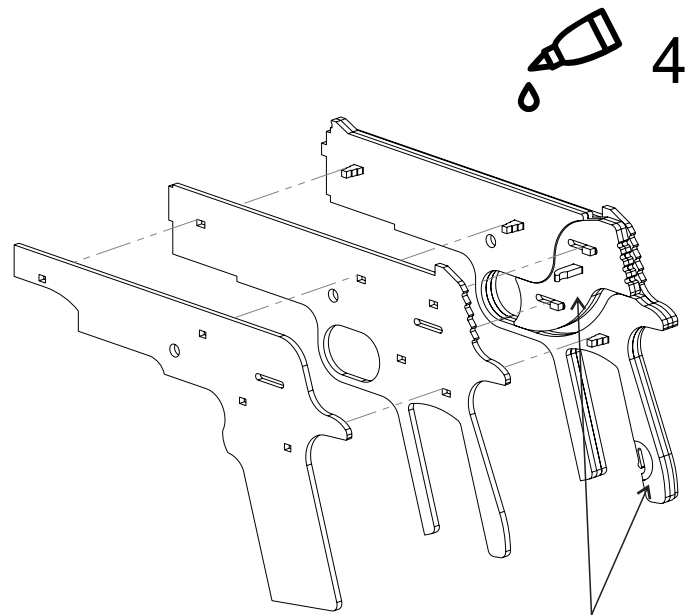
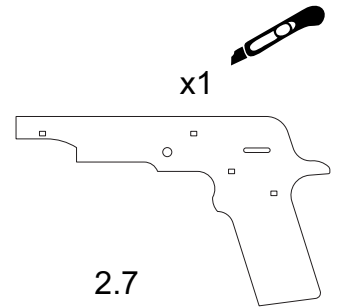
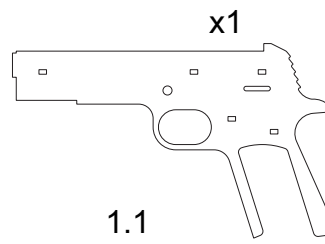
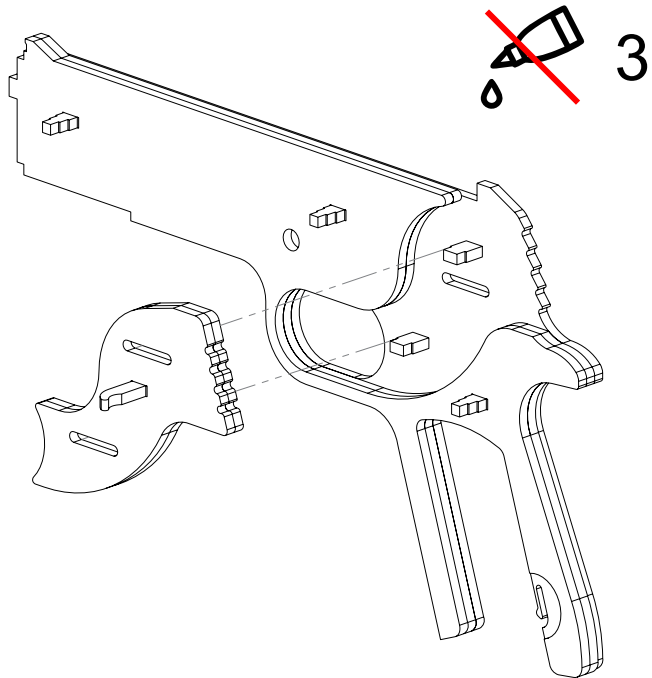


Do not get glue on these areas.

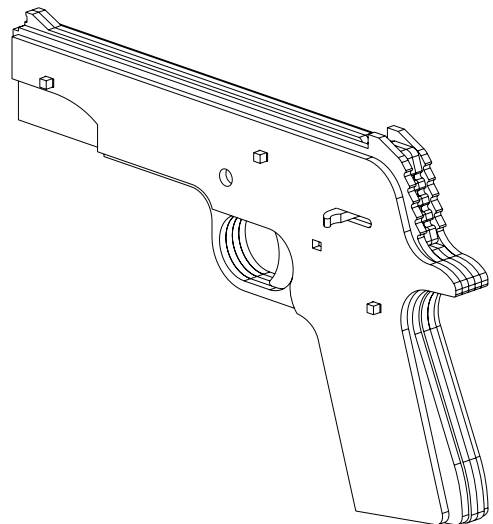


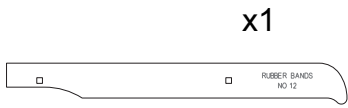
Take not of the orientation of the hooks.





Do not get glue on these areas.





1.8

x1



1.10

x1



1.9

x1



1.11

x1



1.10

x1



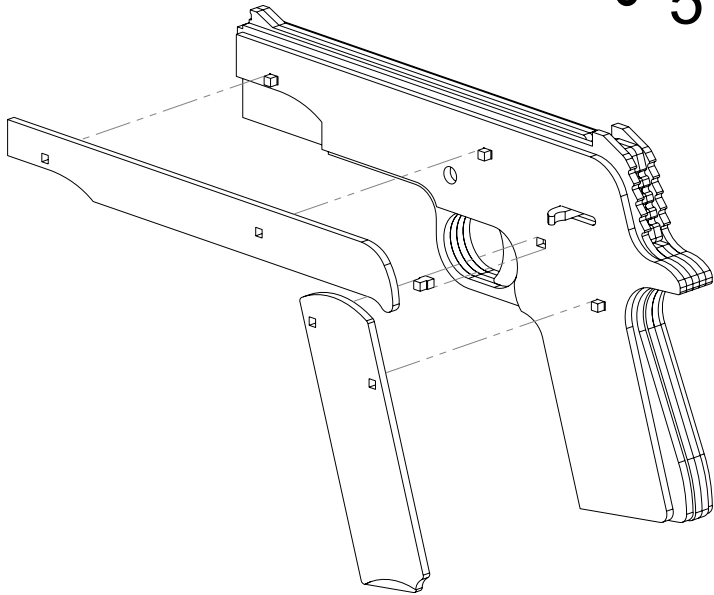
1.12

x1

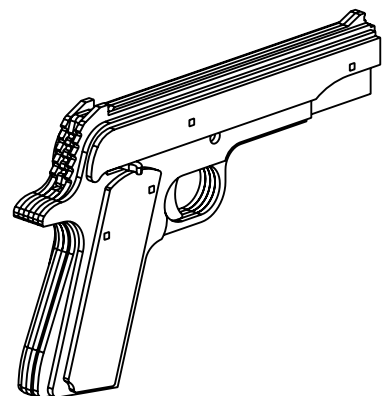
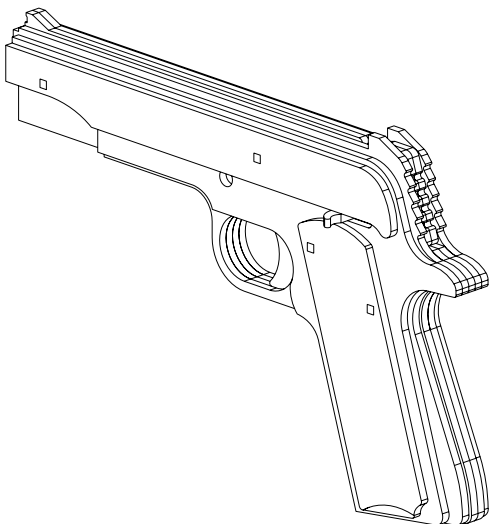


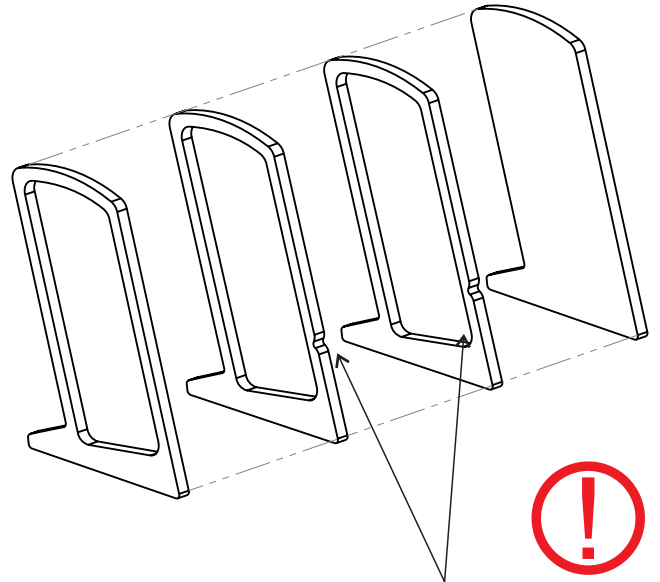
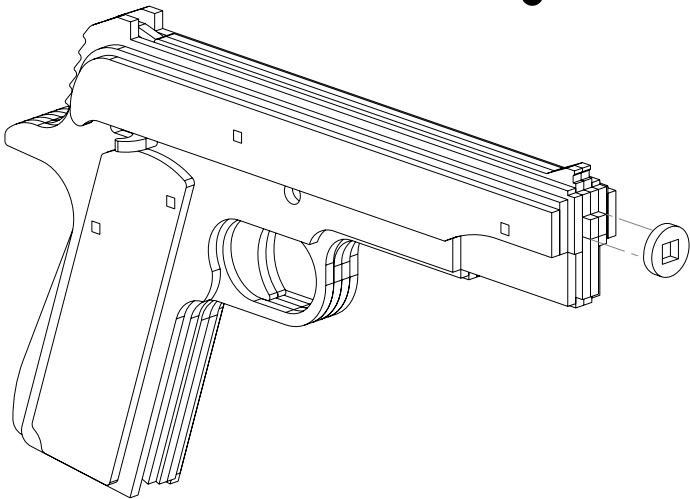
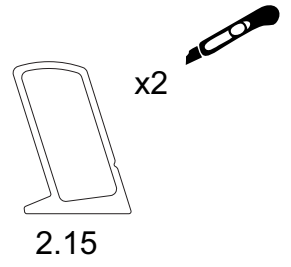
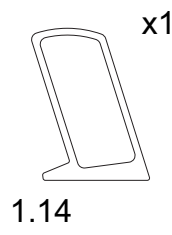
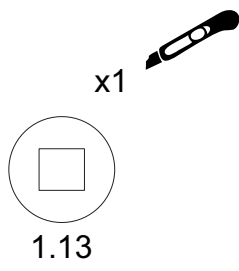
2.7

x1

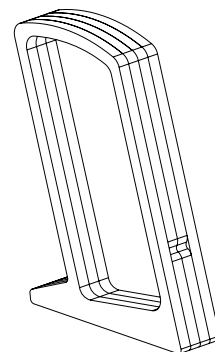
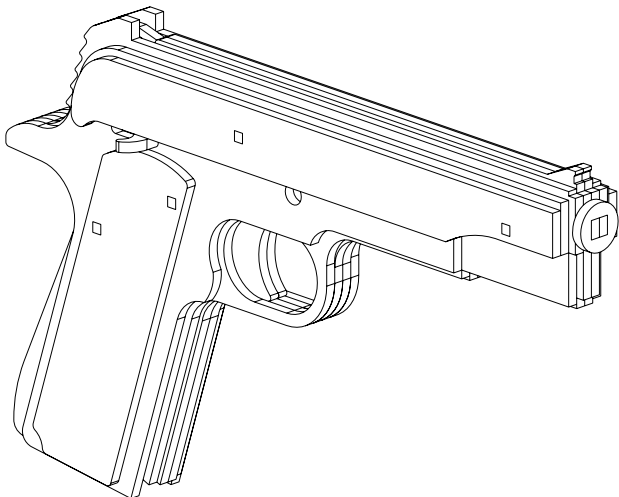


6



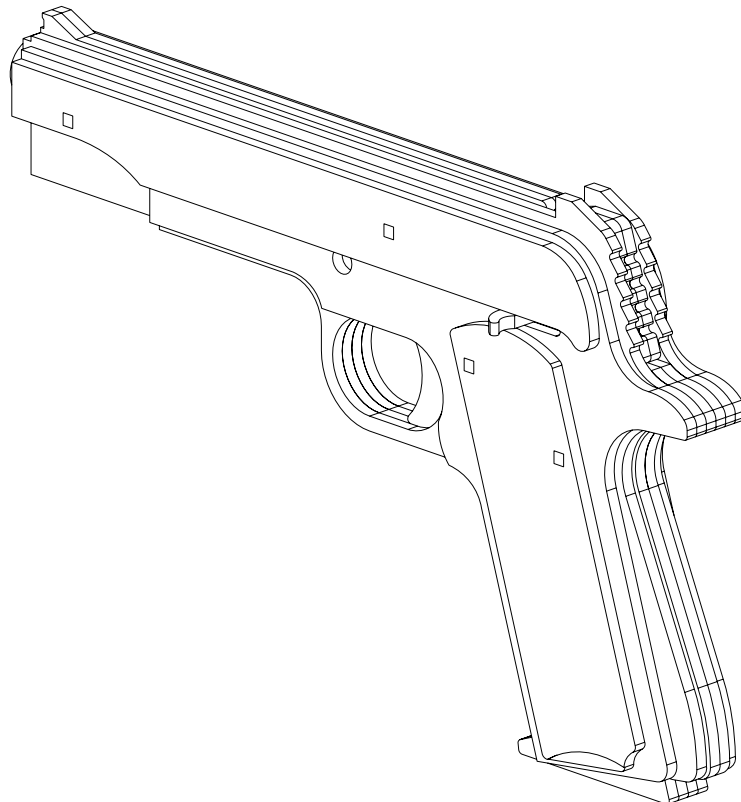
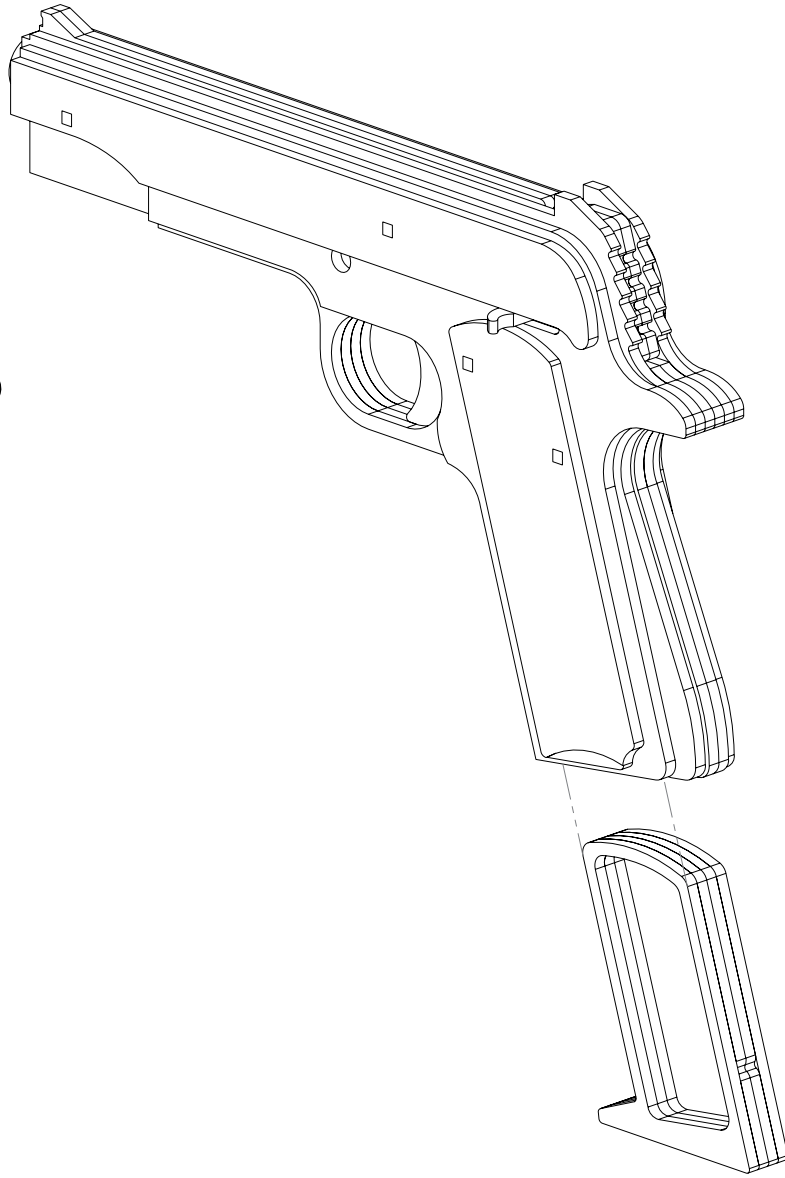


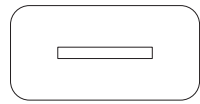
Parts 15 (with the notch) go in the middle





180°





1.17

x1



1.18

x2

