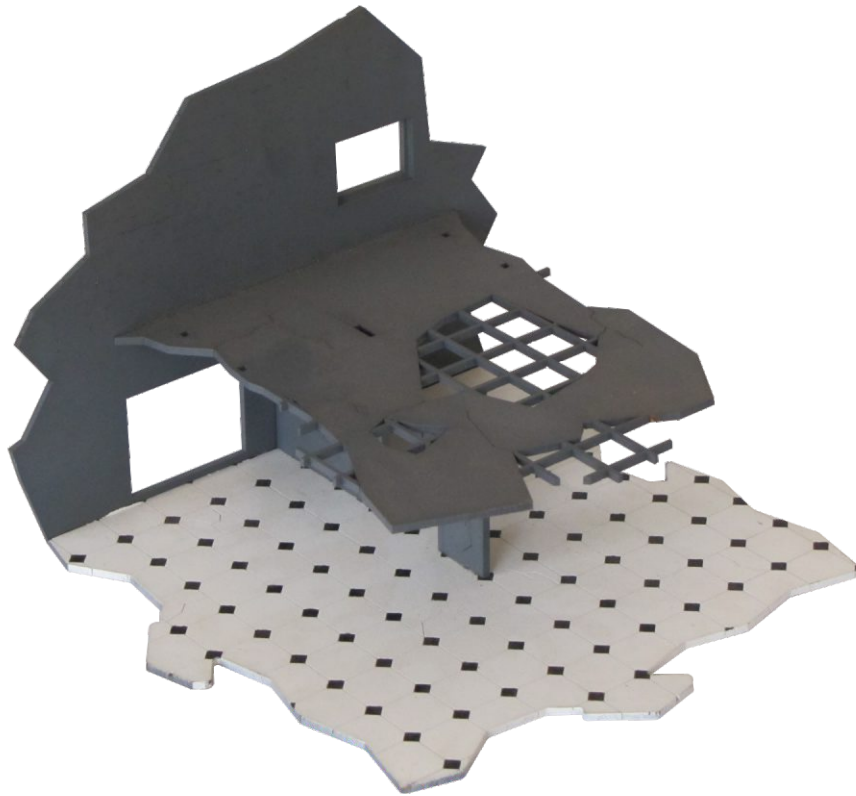


Ruins of the Old World Straight Short Assembly Instructions



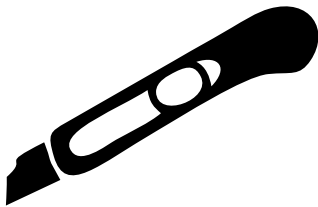
Important info and symbols.

You will need a sharp, narrow blade such as a utility or a hobby knife and some wood glue.

Some parts of the assembly has to be able to move. Be careful to not get glue into those areas, and allow glue to dry on parts before sliding them into place.

Parts are named sheet first, part second. Ex. 2.5 means sheet two, part 5. Parts that are the same, have the same number.

NB!!! Please do not print out these instructions unless absolutely necessary.



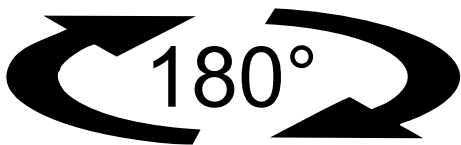
Cutting required



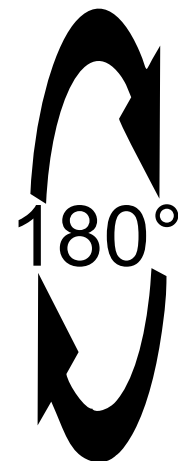
Glue required



Do not glue



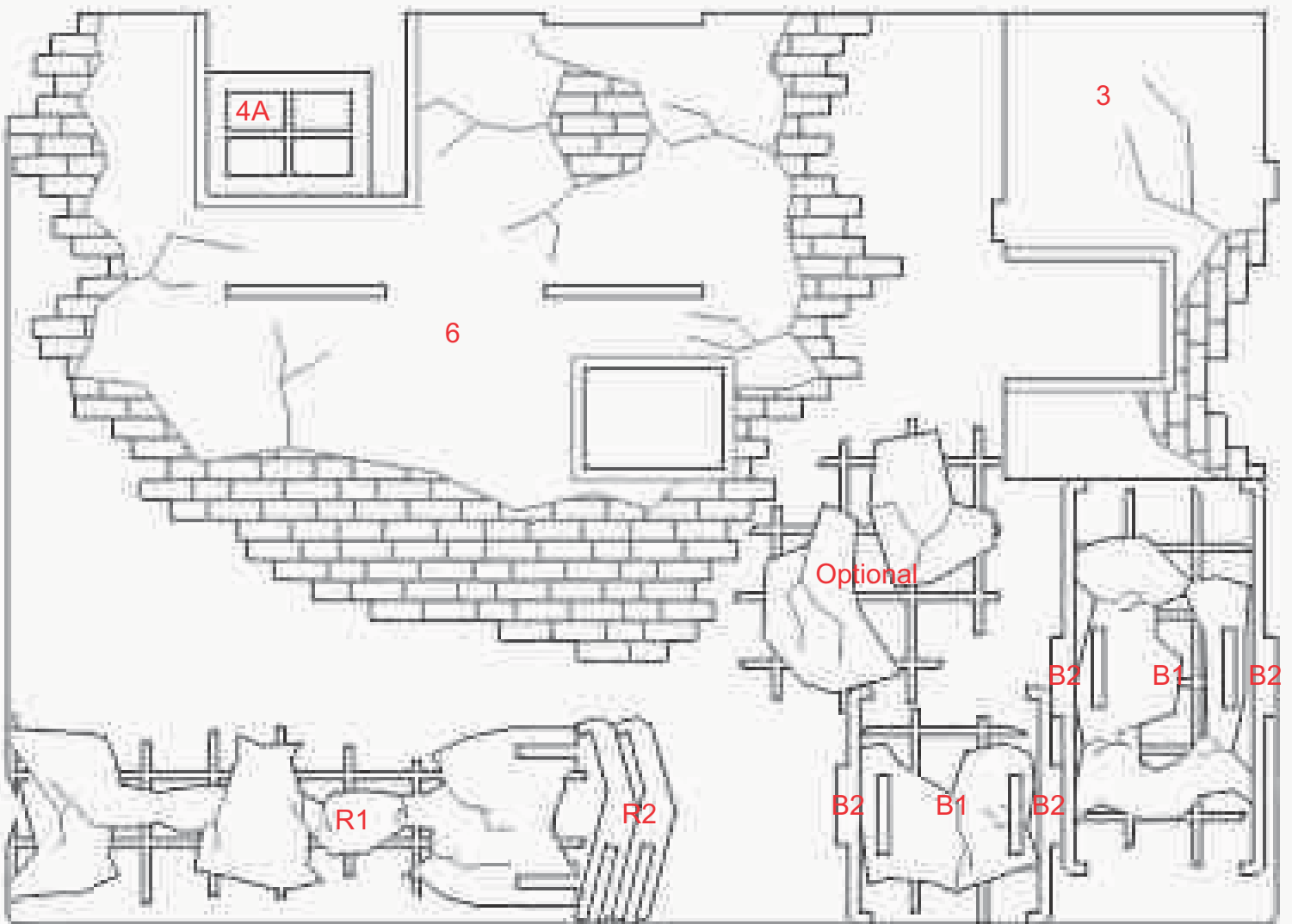
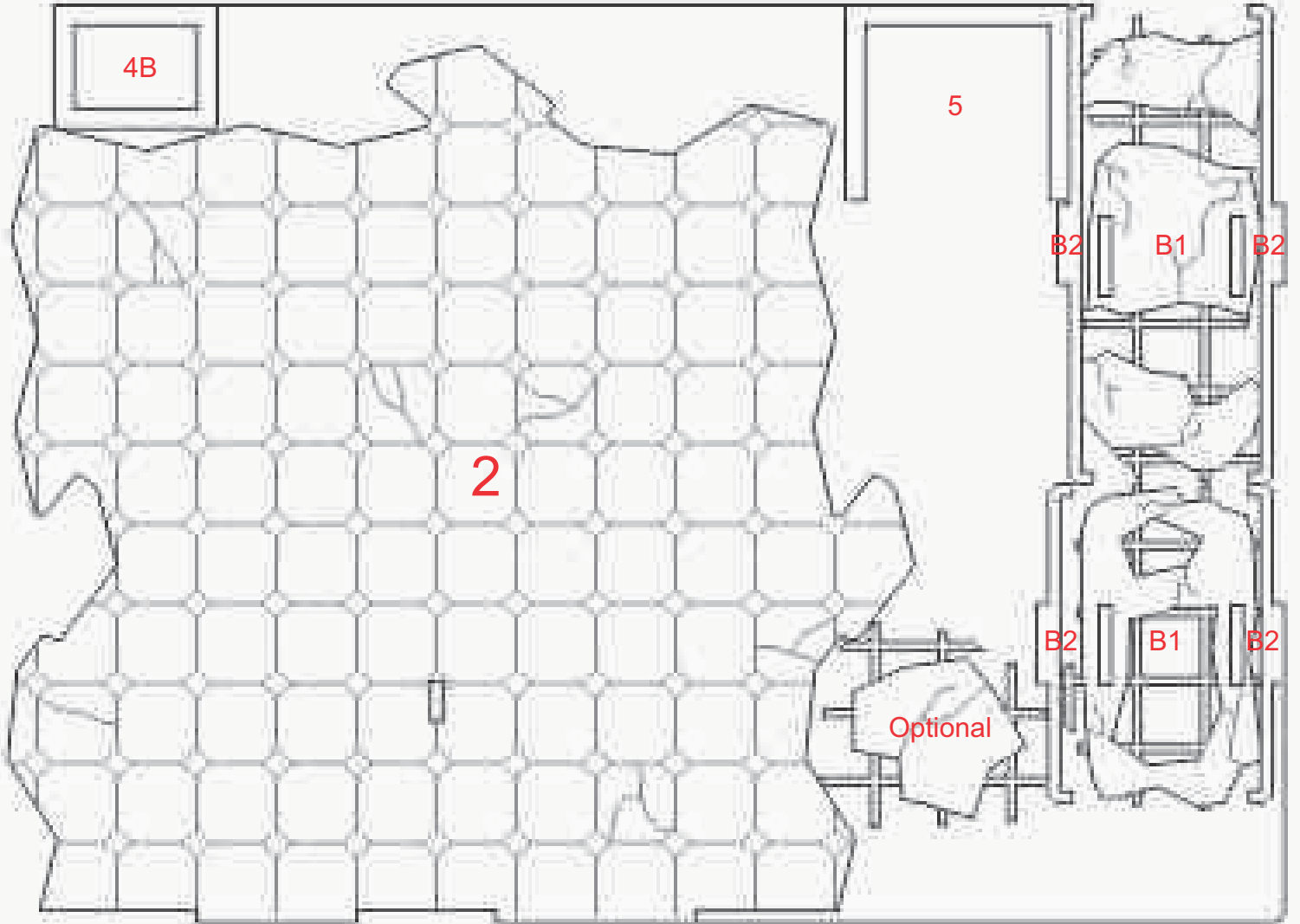
Turn horizontally

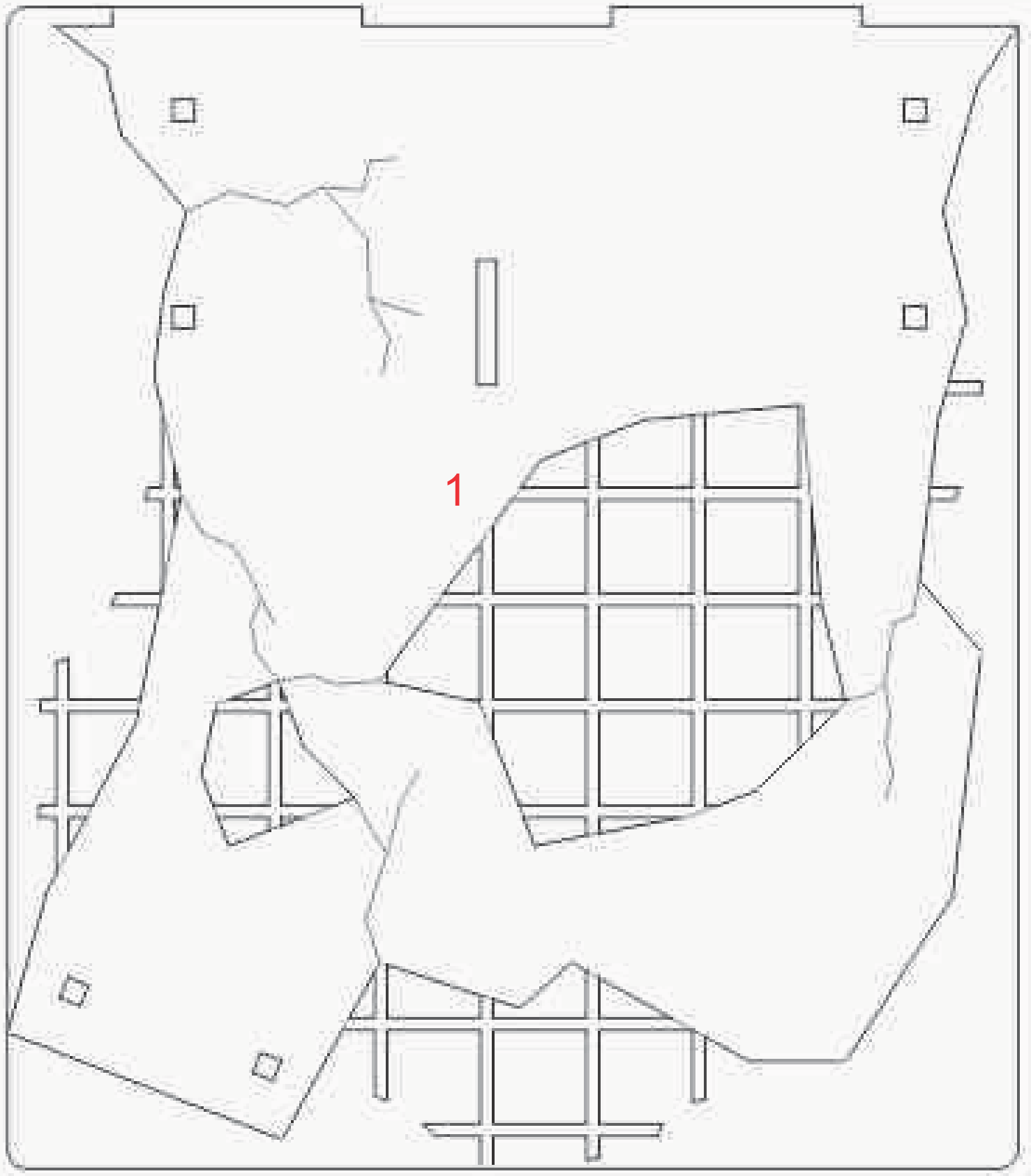


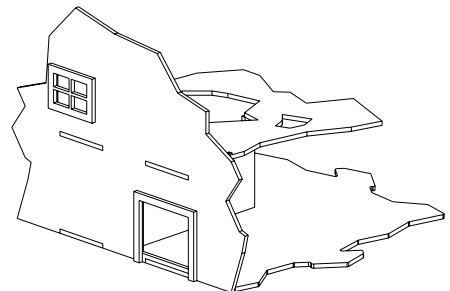
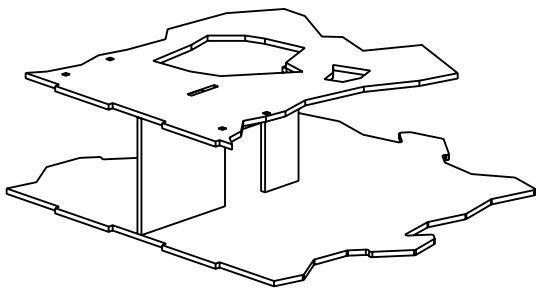
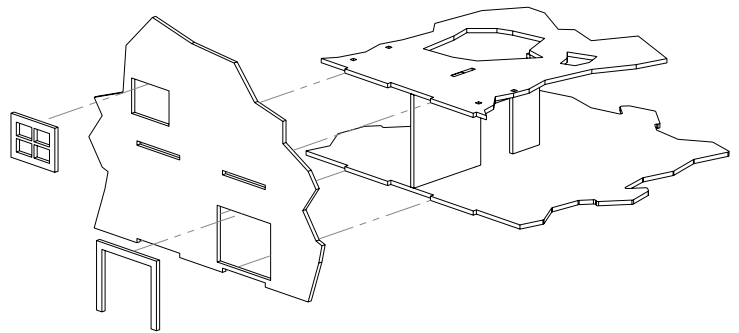
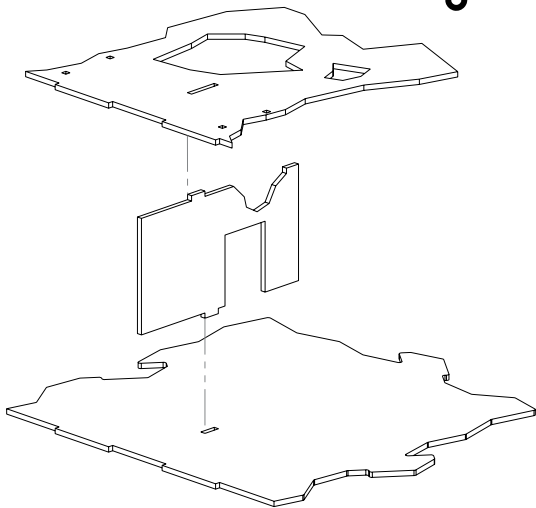
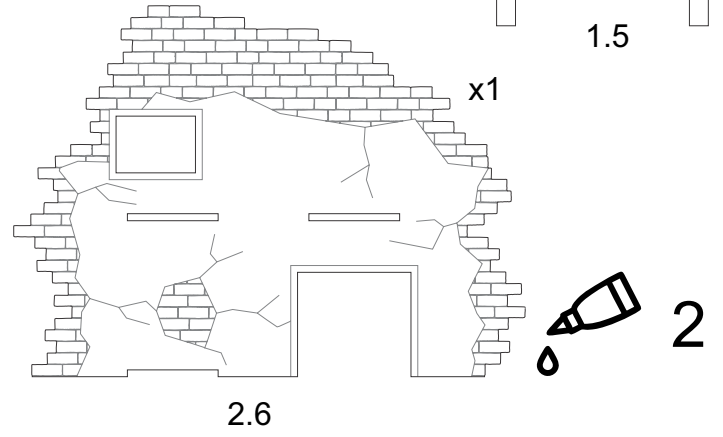
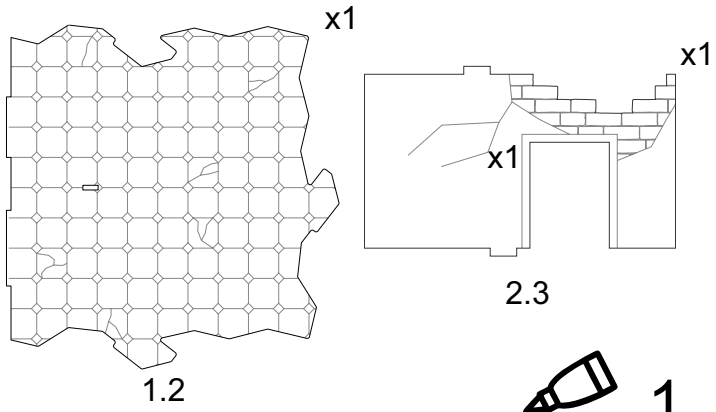
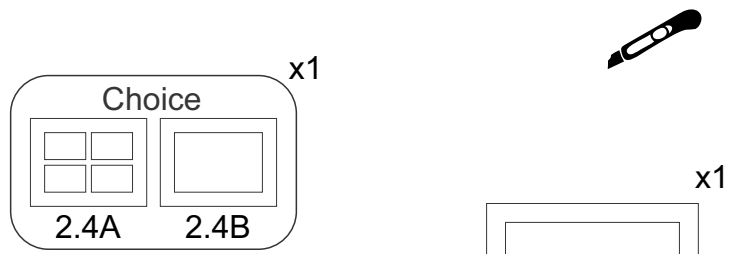
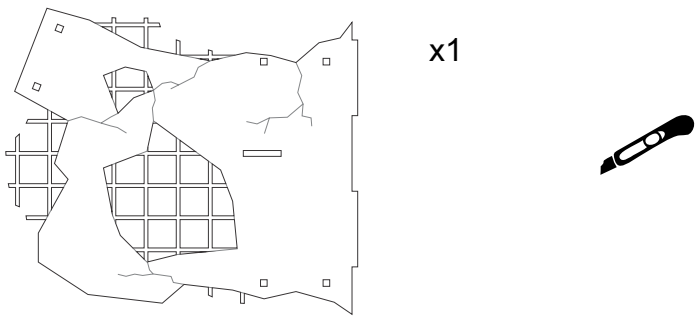
Turn vertically

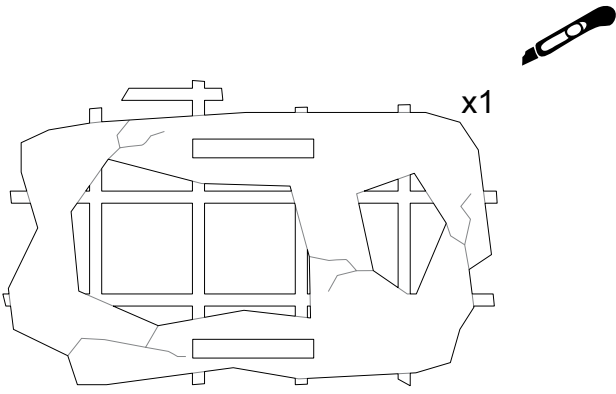


Warning: Choking hazard. Kit contains small parts.
Not suitable for children under 3 years old.

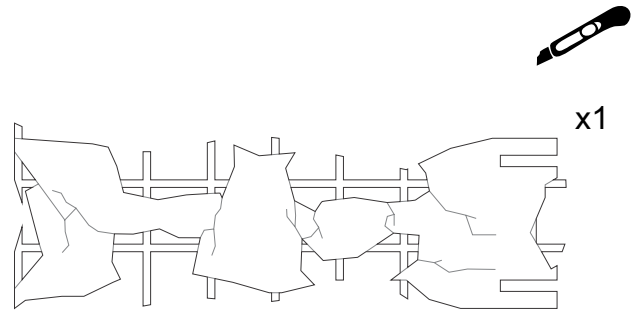




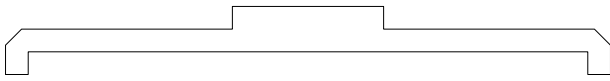




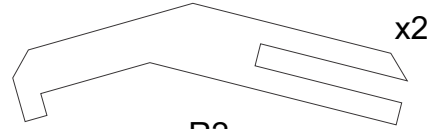
B1



R1



B2



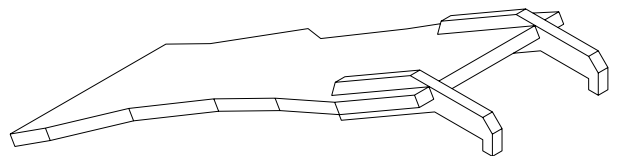
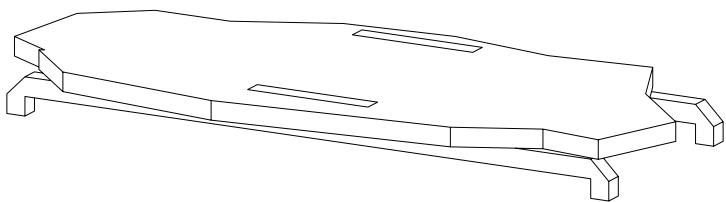
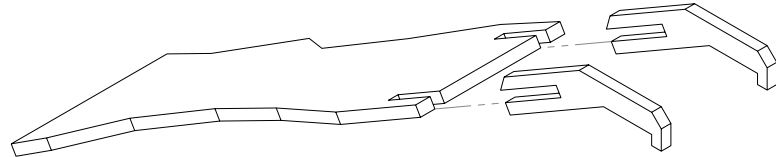
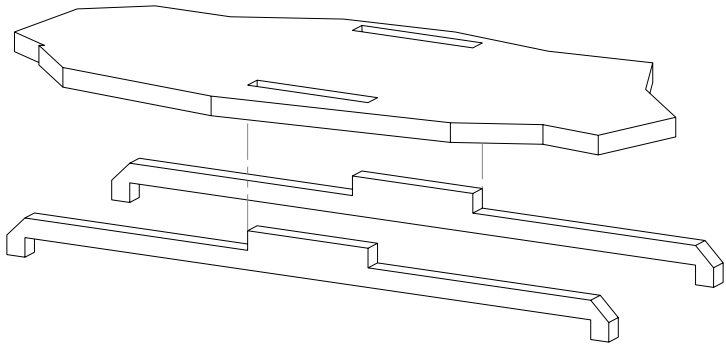
R2



3



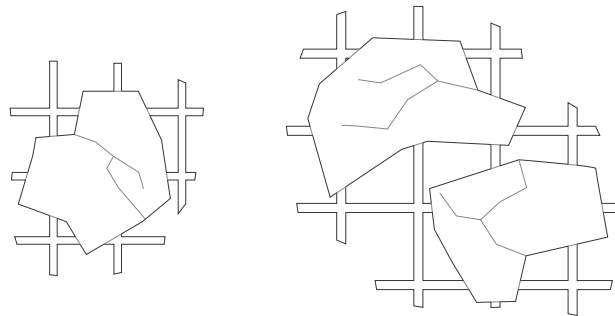
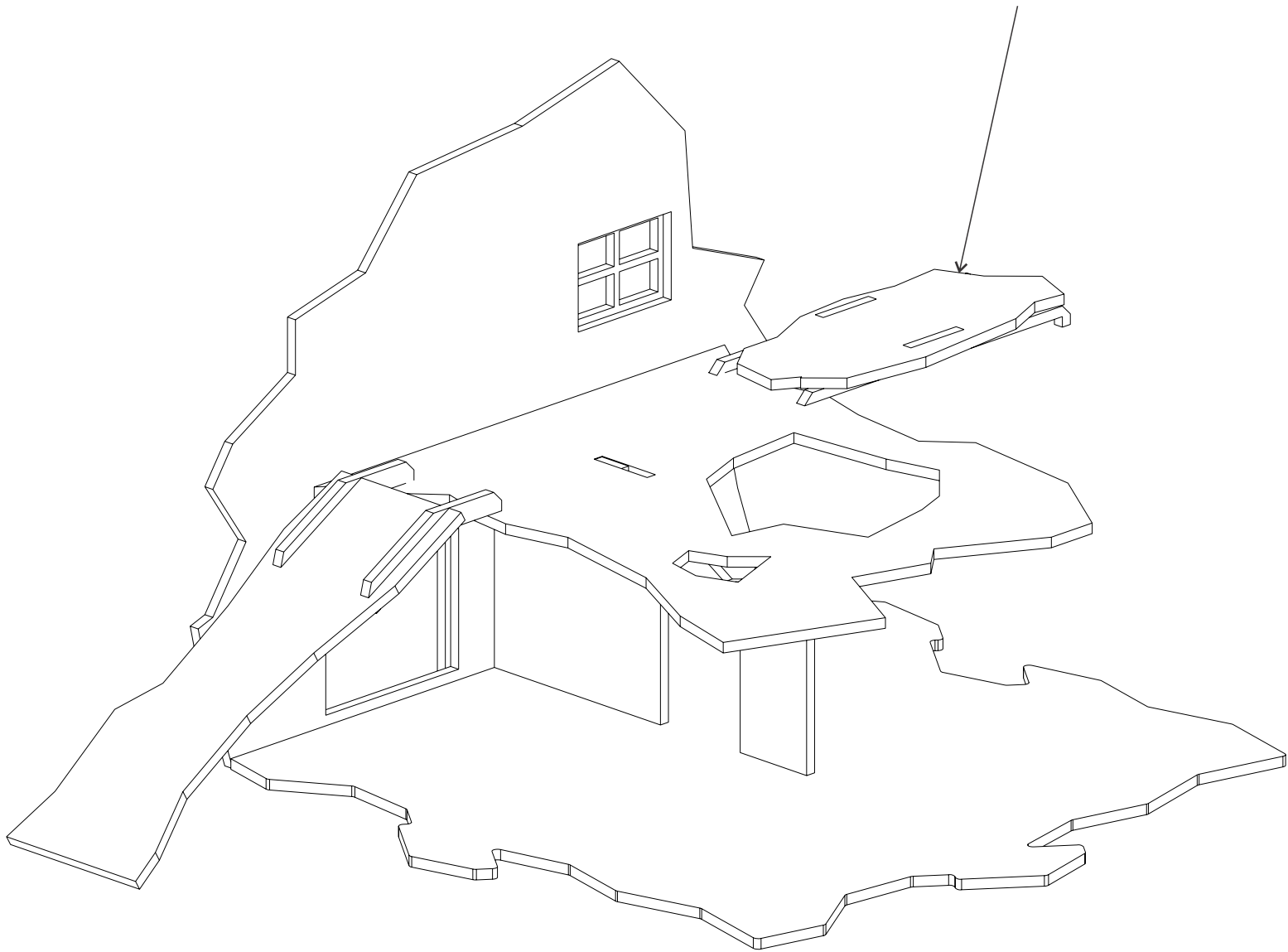
4



*Note: There are various sizes and shapes of the bridge parts, but they all function the same way. The parts that go together, are grouped together.



*Note: This only works when this kit is used with other kits in the series.



Optional extras can be glued anywhere to add rubble detail.