

LabWorkX Straight Assembly Instructions



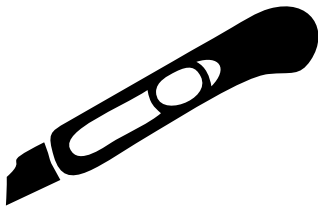
Important info and symbols.

You will need a sharp, narrow blade such as a utility or a hobby knife and some wood glue.

Some parts of the assembly has to be able to move. Be careful to not get glue into those areas, and allow glue to dry on parts before sliding them into place.

Parts are named sheet first, part second. Ex. 2.5 means sheet two, part 5. Parts that are the same, have the same number.

NB!!! Please do not print out these instructions unless absolutely necessary.



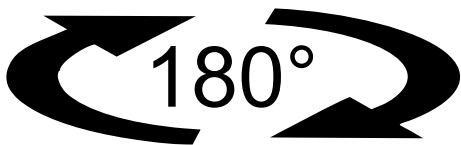
Cutting required



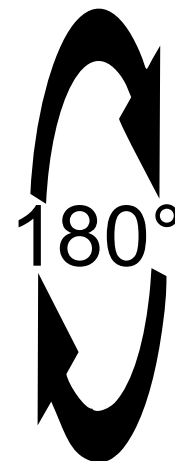
Glue required



Do not glue



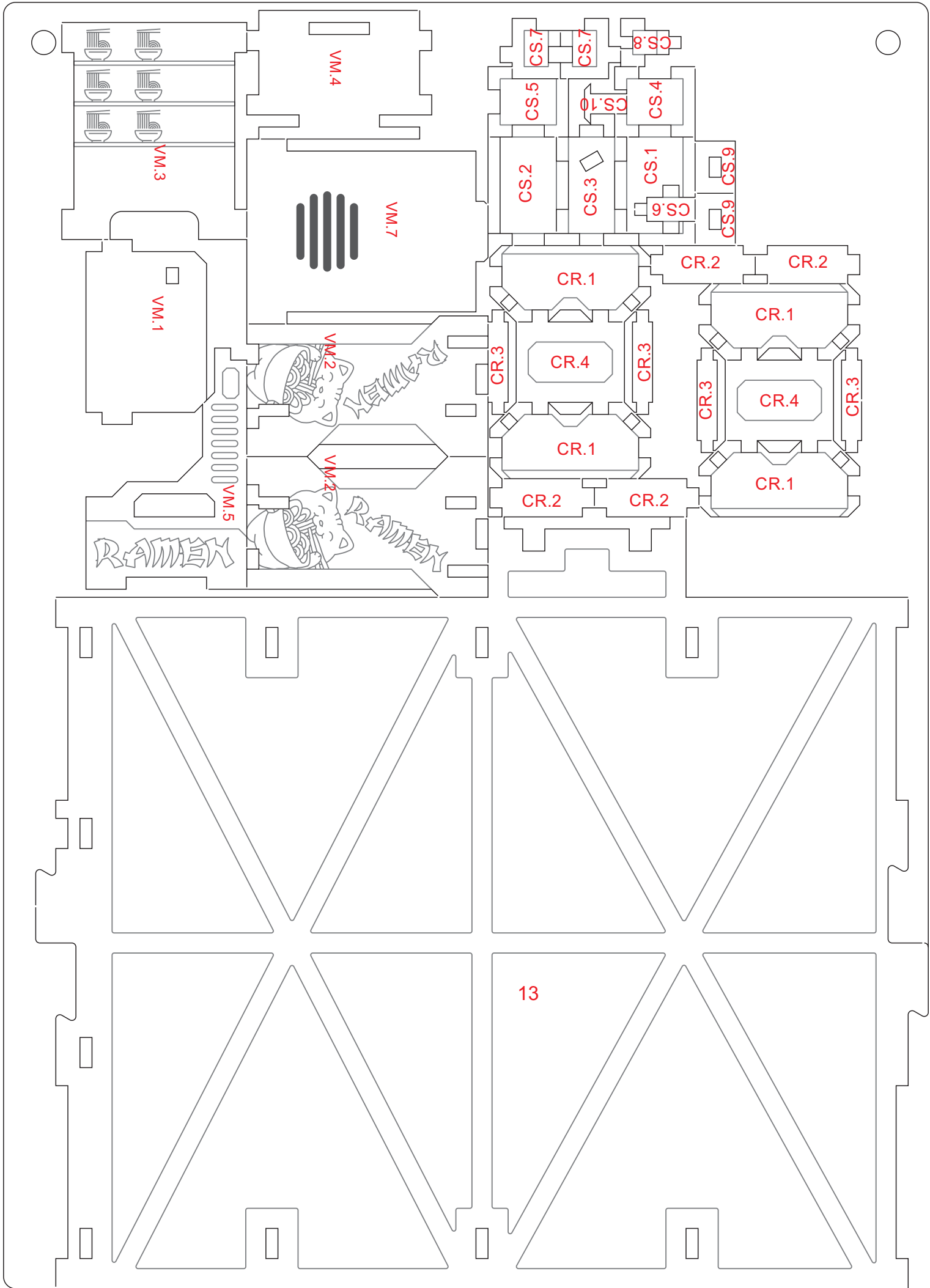
Turn horizontally

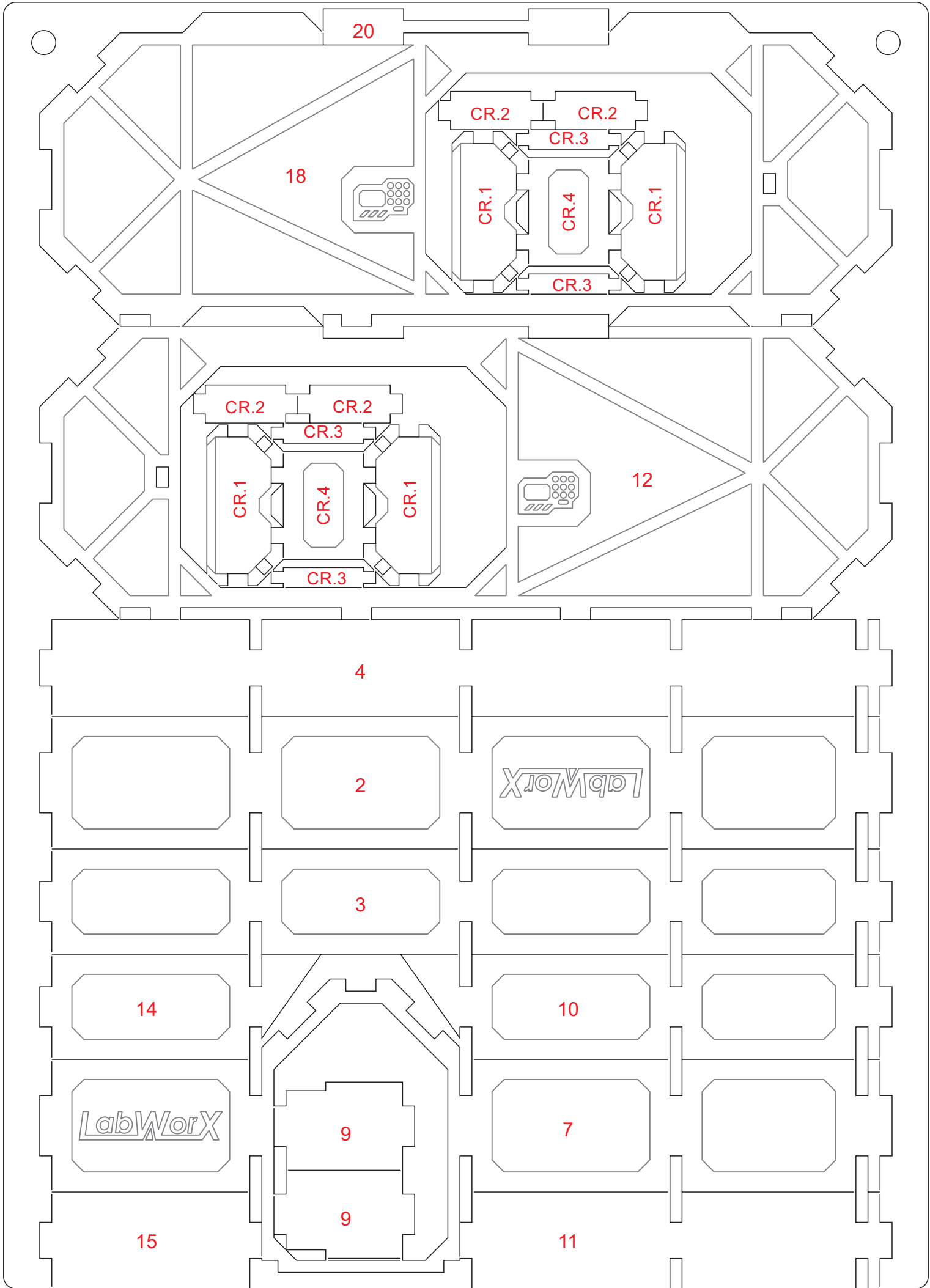


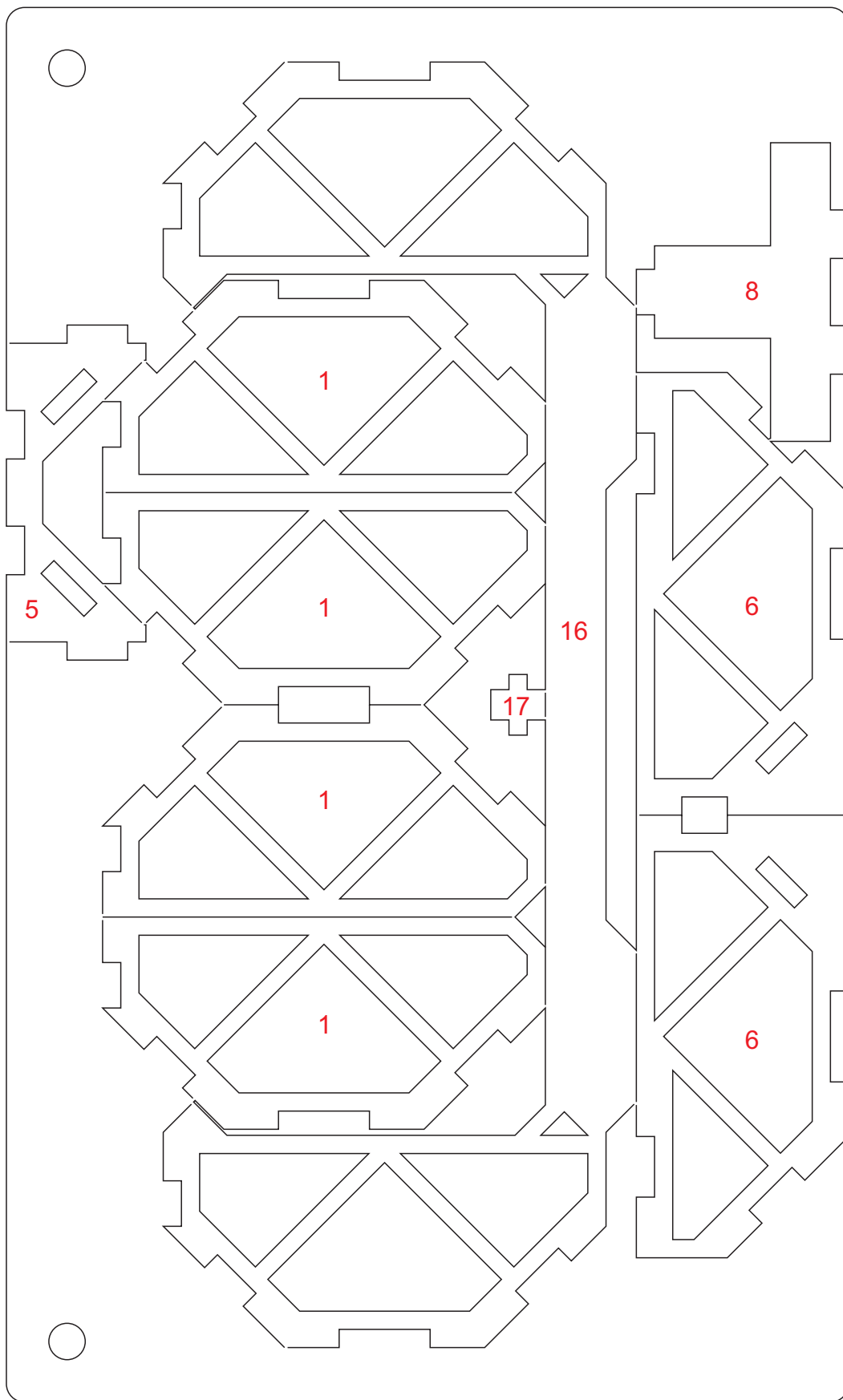
Turn vertically

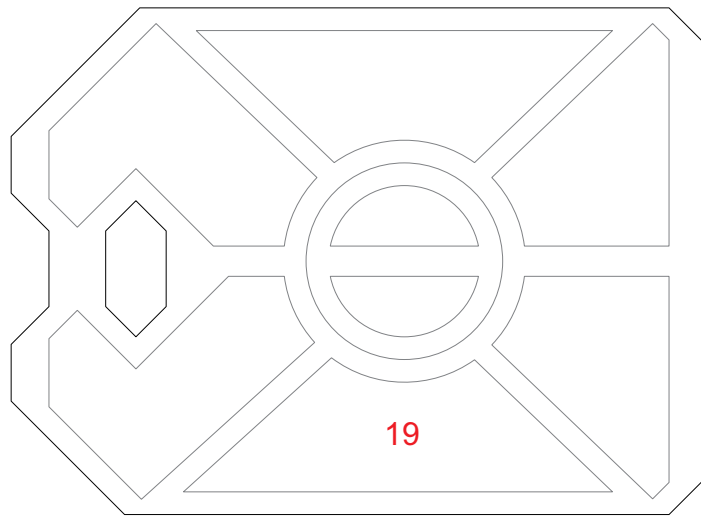
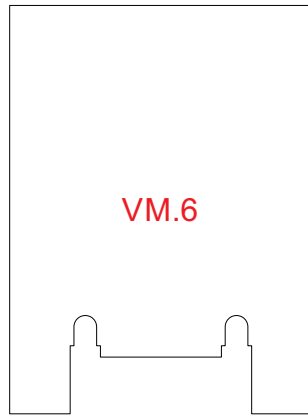


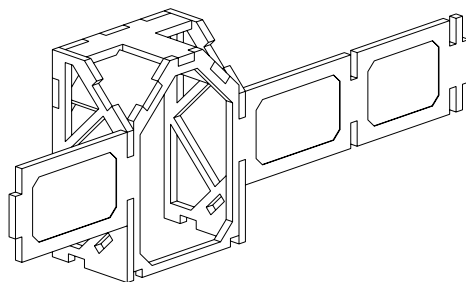
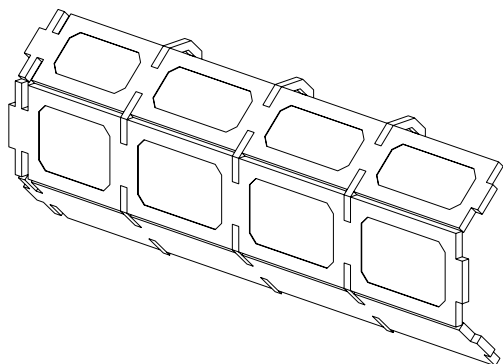
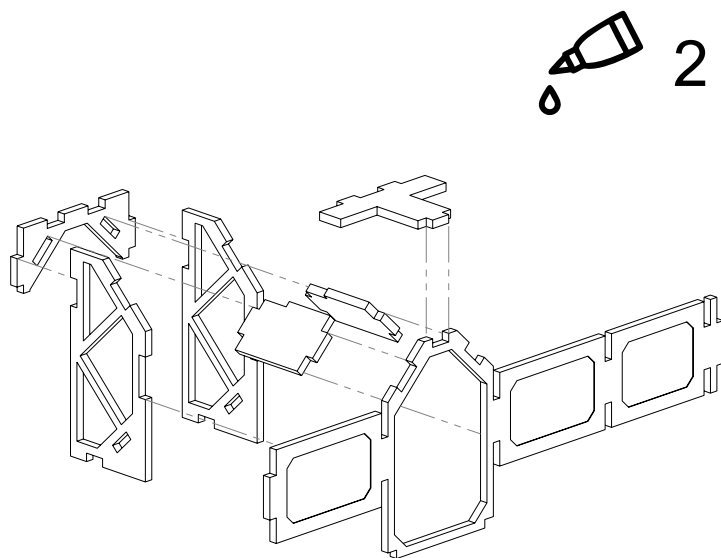
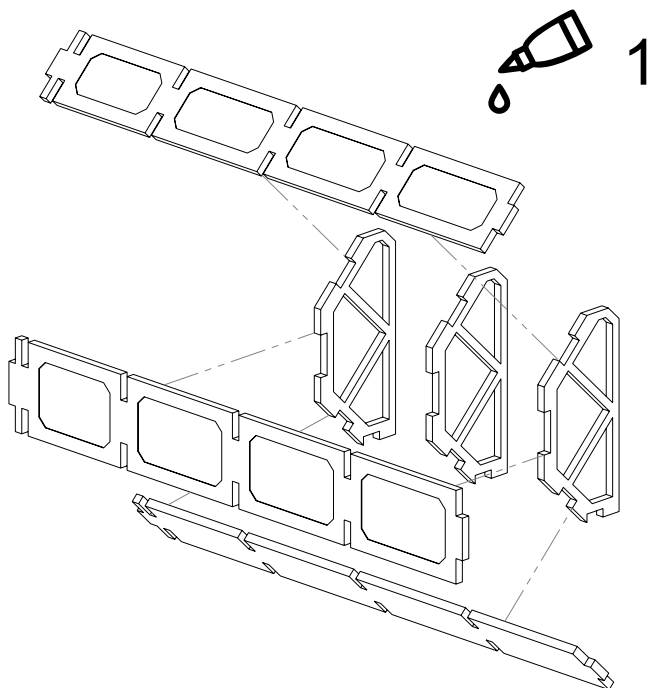
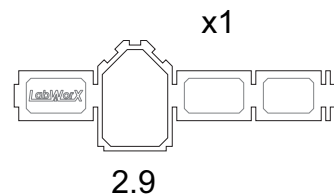
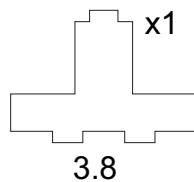
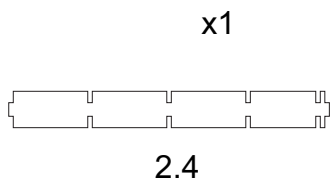
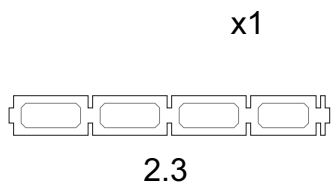
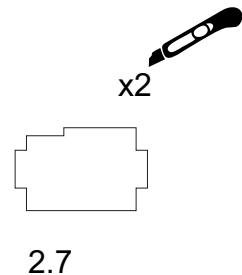
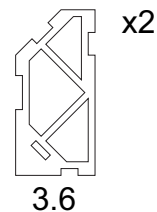
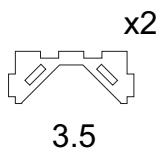
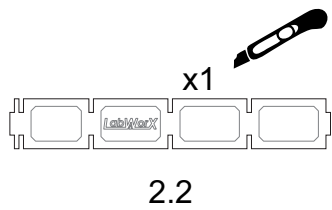
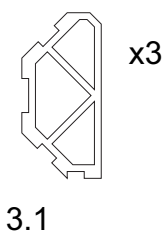
Warning: Choking hazard. Kit contains small parts.
Not suitable for children under 3 years old.

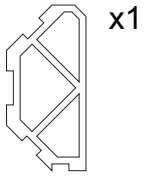




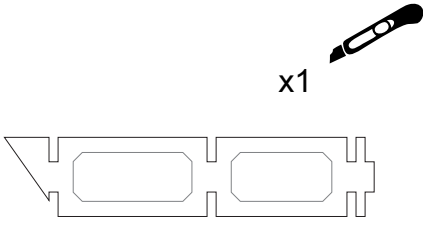




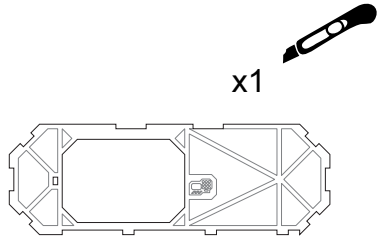




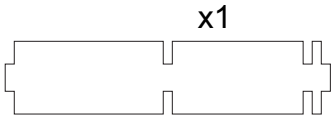
3.1



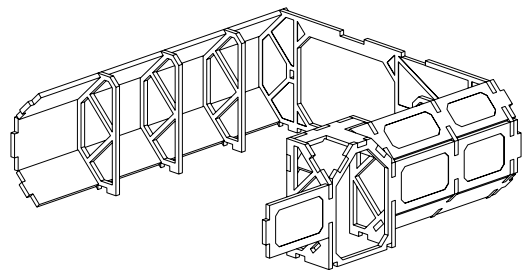
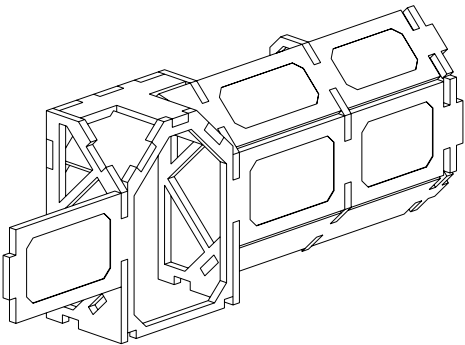
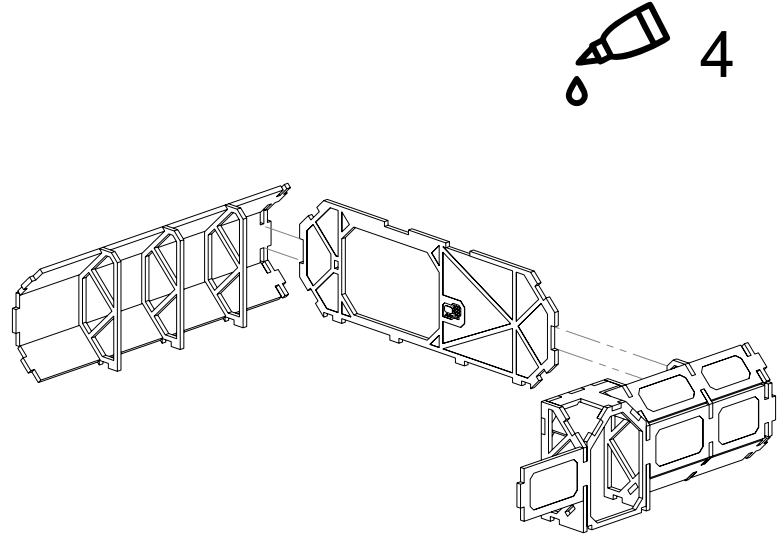
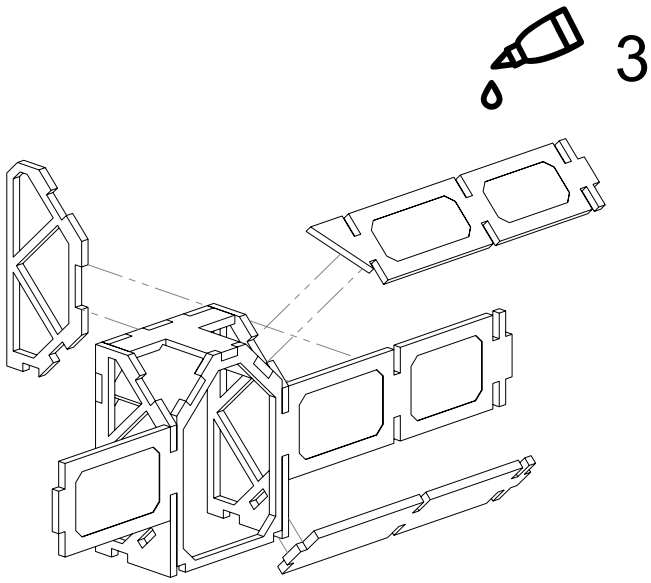
2.10

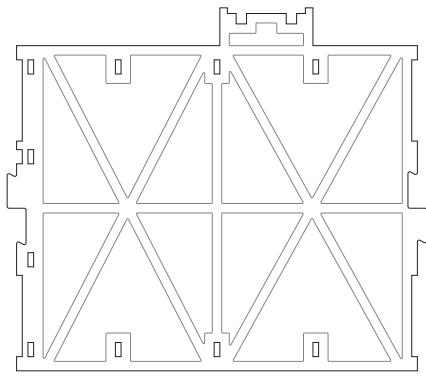


2.12



2.11





1.13



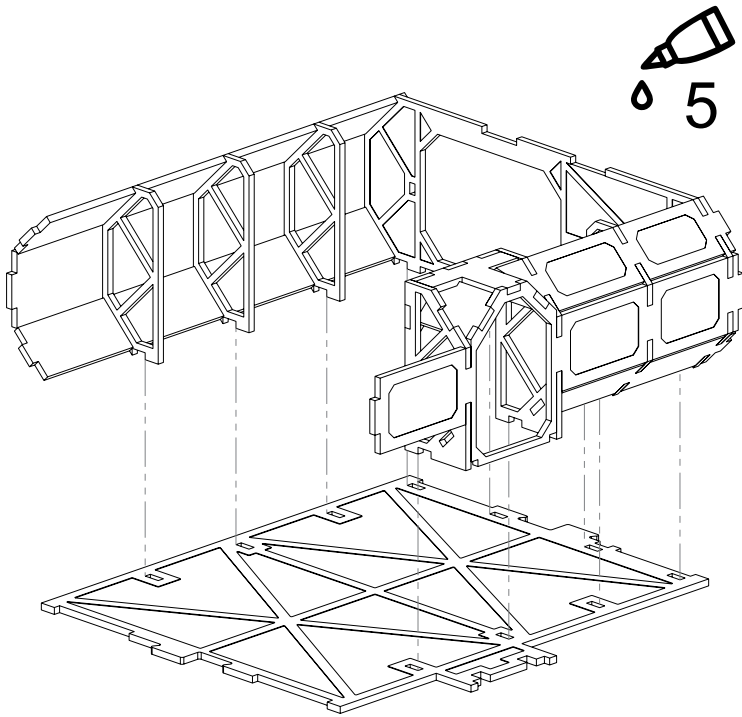
2.14



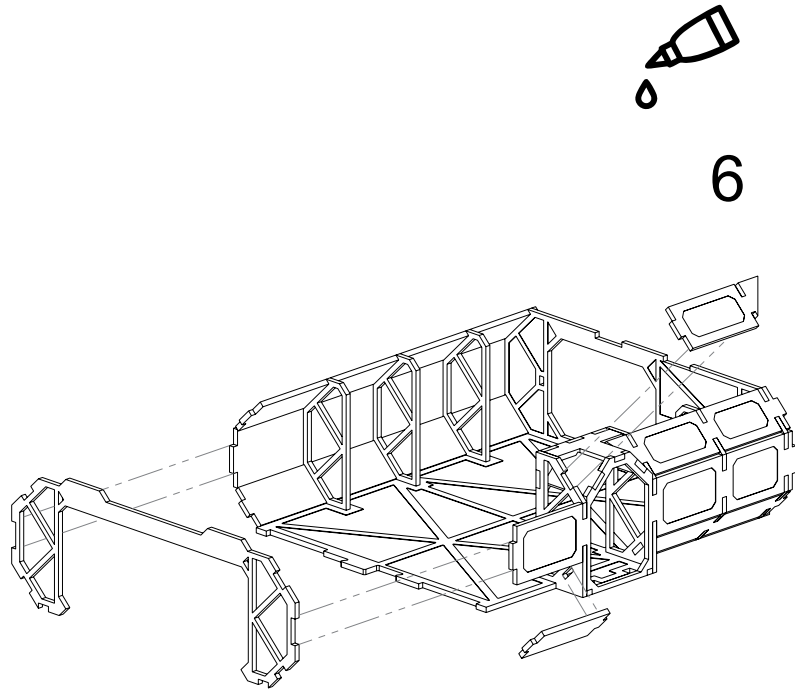
2.15



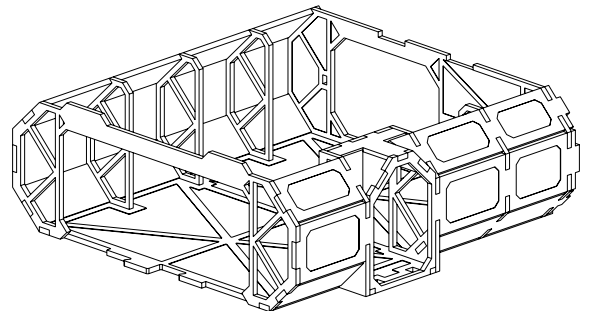
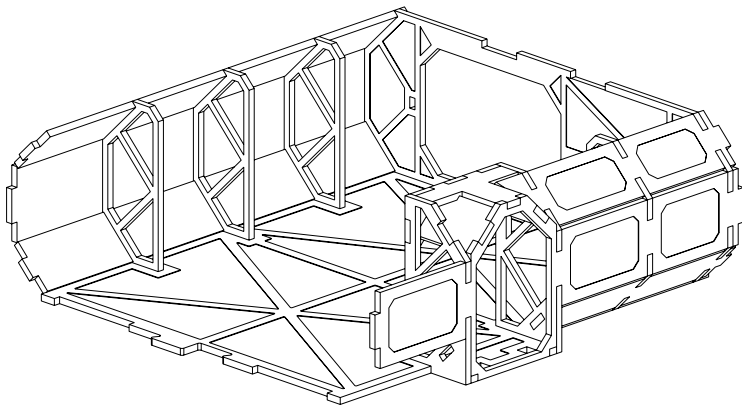
3.16

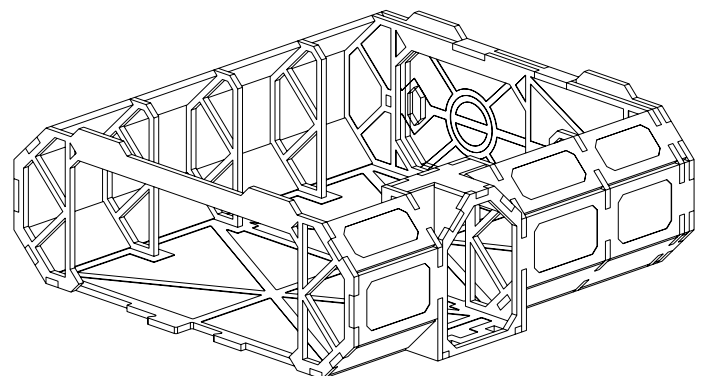
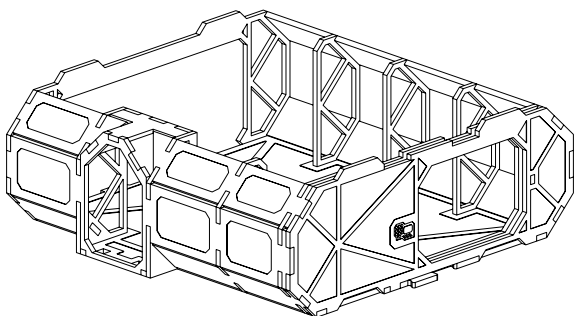
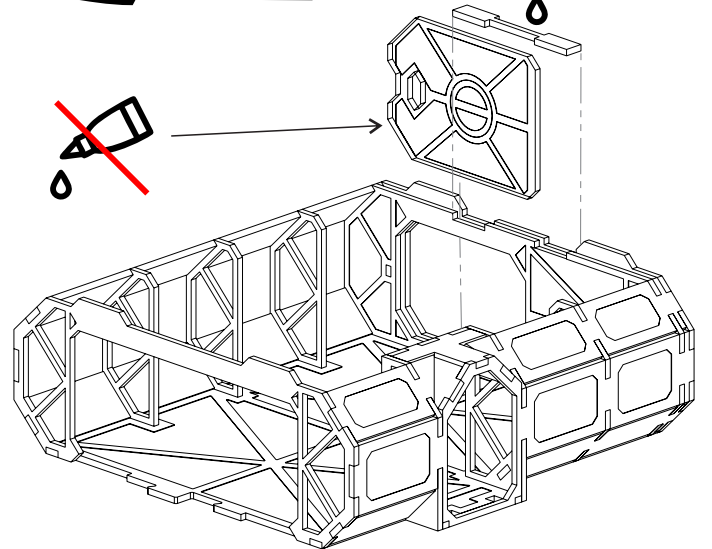
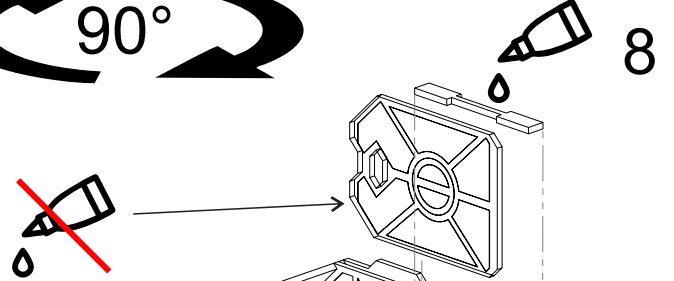
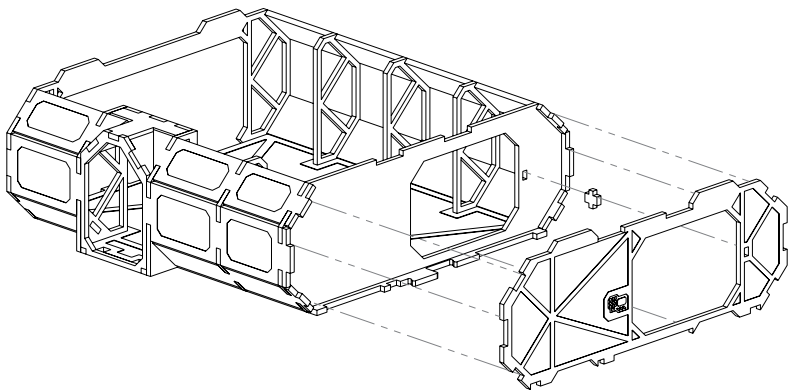
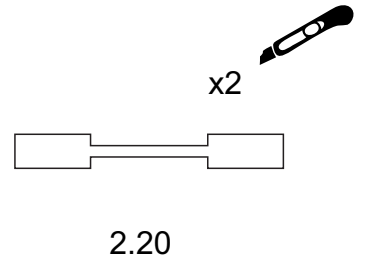
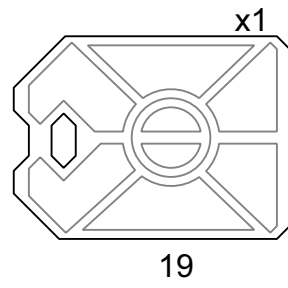
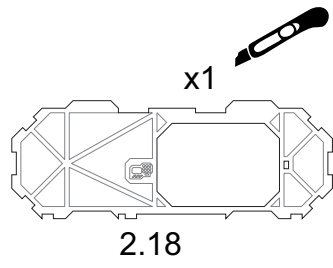
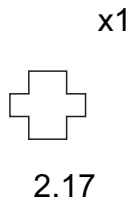


5

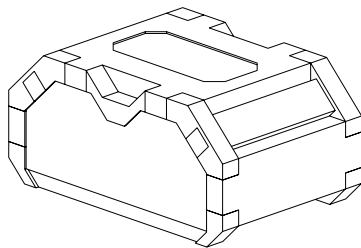
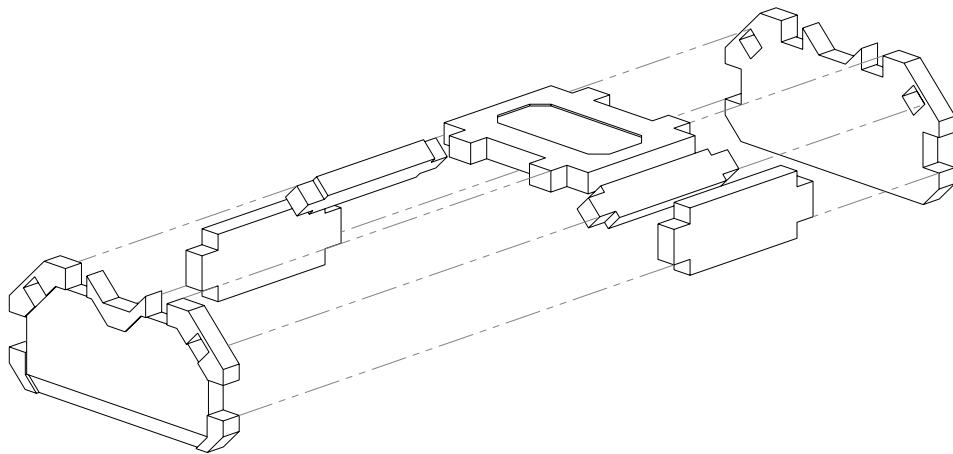
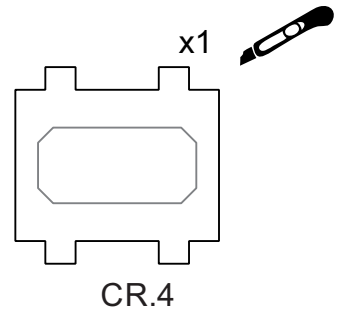
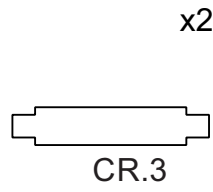
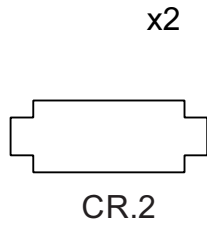
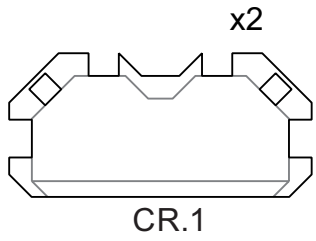


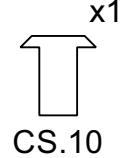
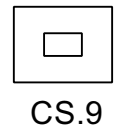
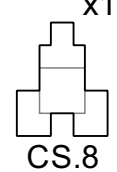
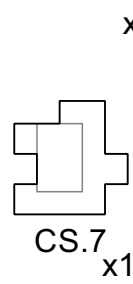
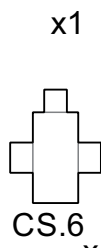
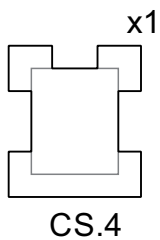
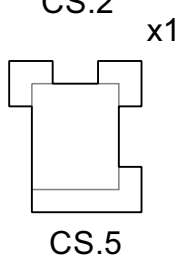
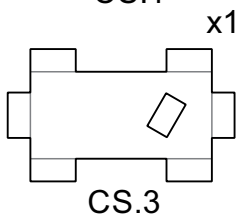
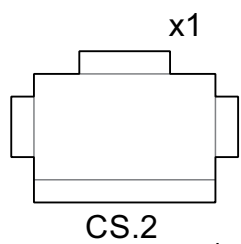
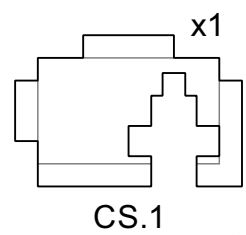
6



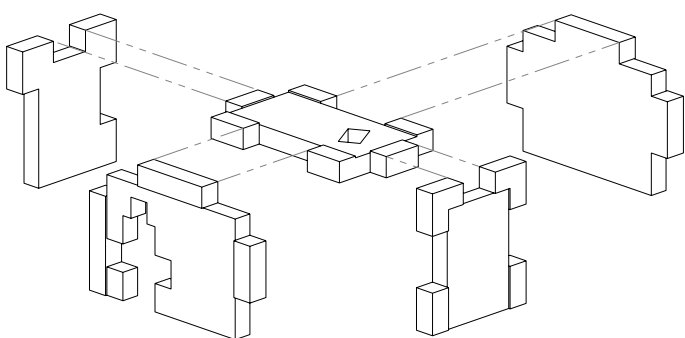


Scatter Terrain

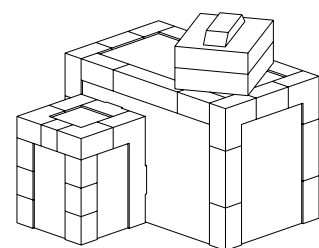
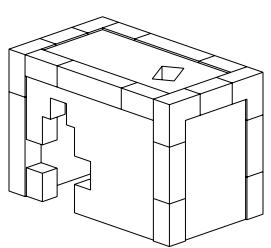
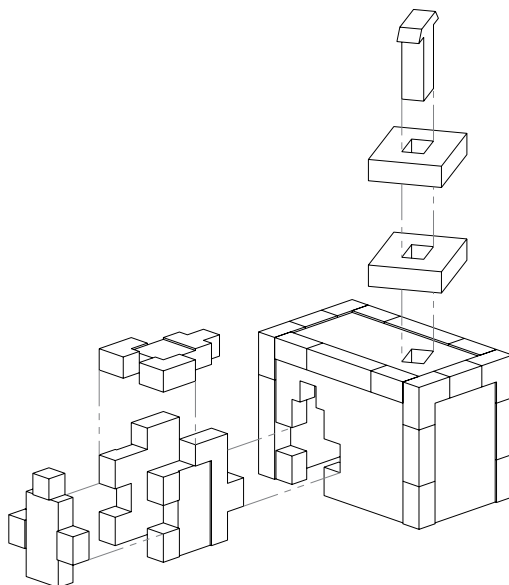


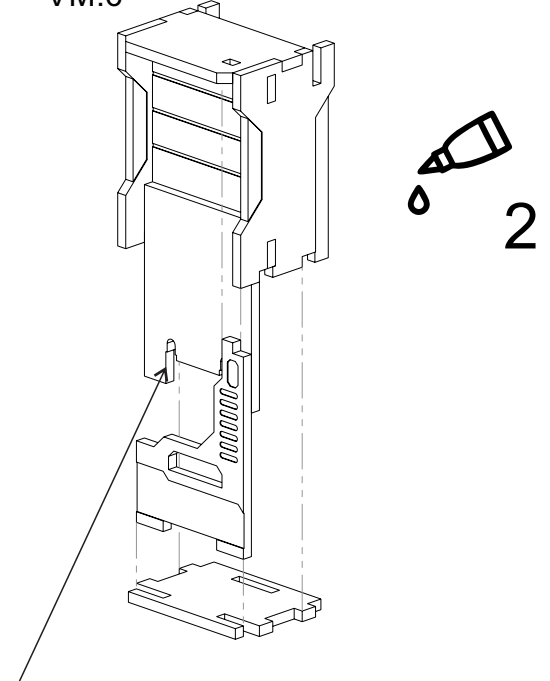
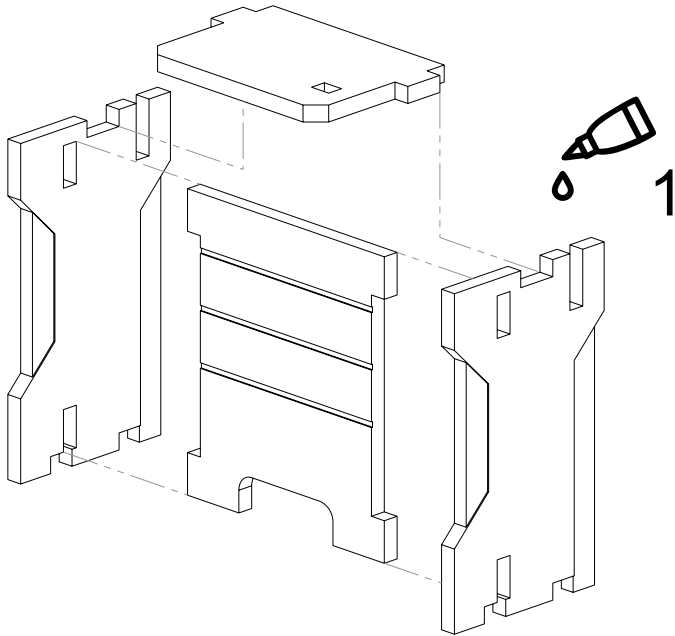
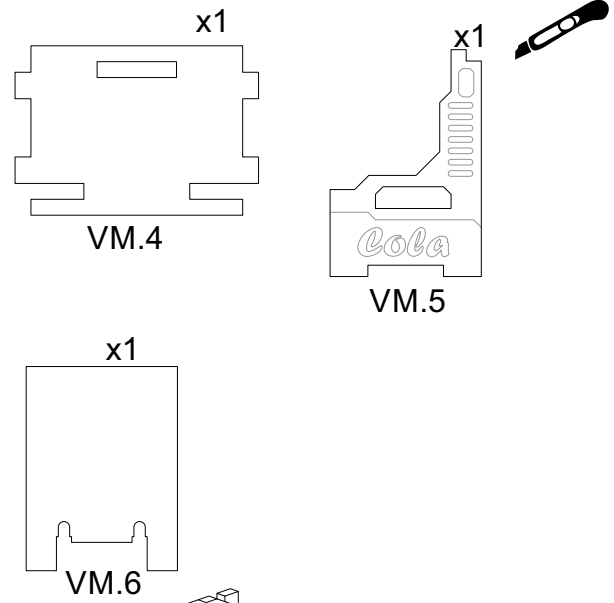
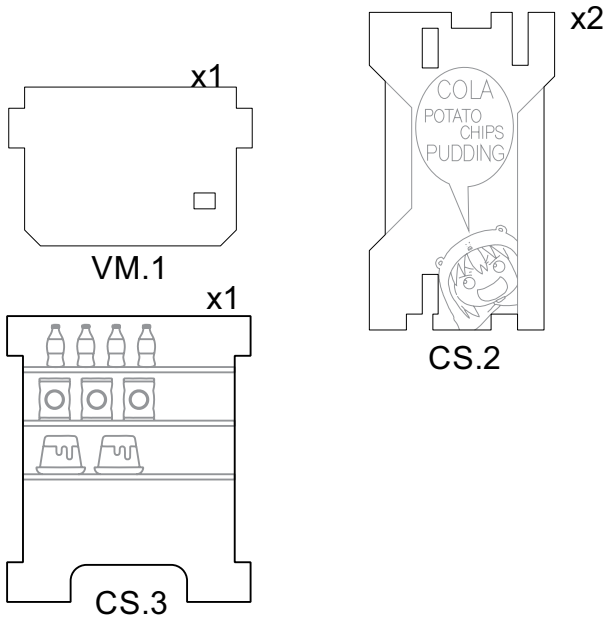


1

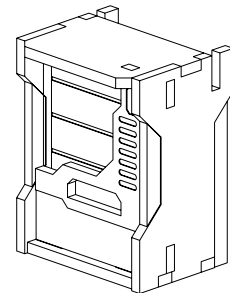
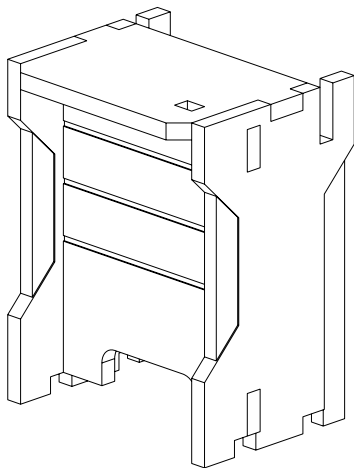


1

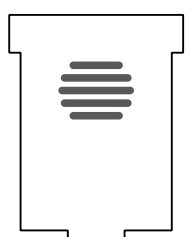




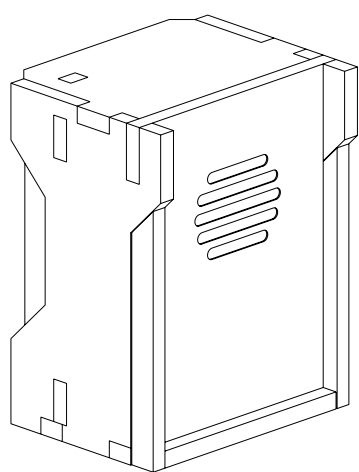
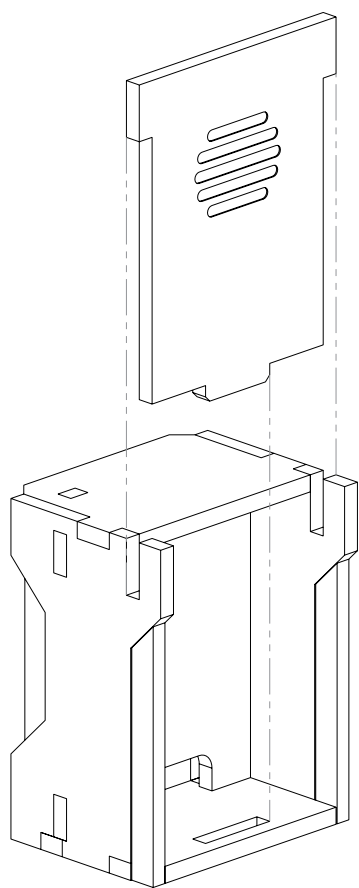
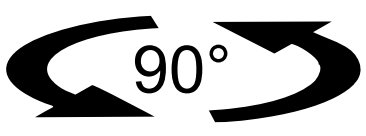
If you want to add LED's, part VM.6 has two spots for 3mm LED bulbs and part VM.3 has space to run wiring. Add them during this step.





x1 



1.7



~~~~ 3
Or


If you are adding LED's to this part, do not glue the back panel as it grants you access to the back panel (2x AAA batteries). If not, you can glue the panel.