

Paint Tray System Portable Box - Small Assembly Instructions



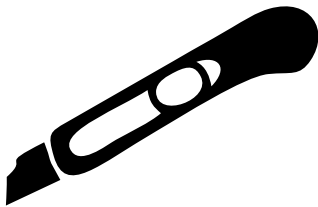
Important info and symbols.

You will need a sharp, narrow blade such as a utility or a hobby knife and some wood glue.

Some parts of the assembly has to be able to move. Be careful to not get glue into those areas, and allow glue to dry on parts before sliding them into place.

Parts are named sheet first, part second. Ex. 2.5 means sheet two, part 5. Parts that are the same, have the same number.

NB!!! Please do not print out these instructions unless absolutely necessary.



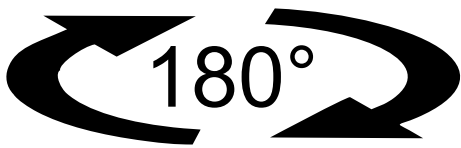
Cutting required



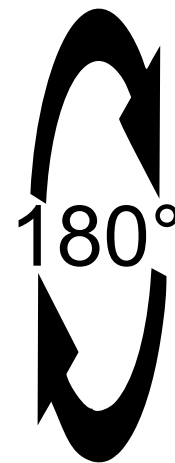
Glue required



Do not glue



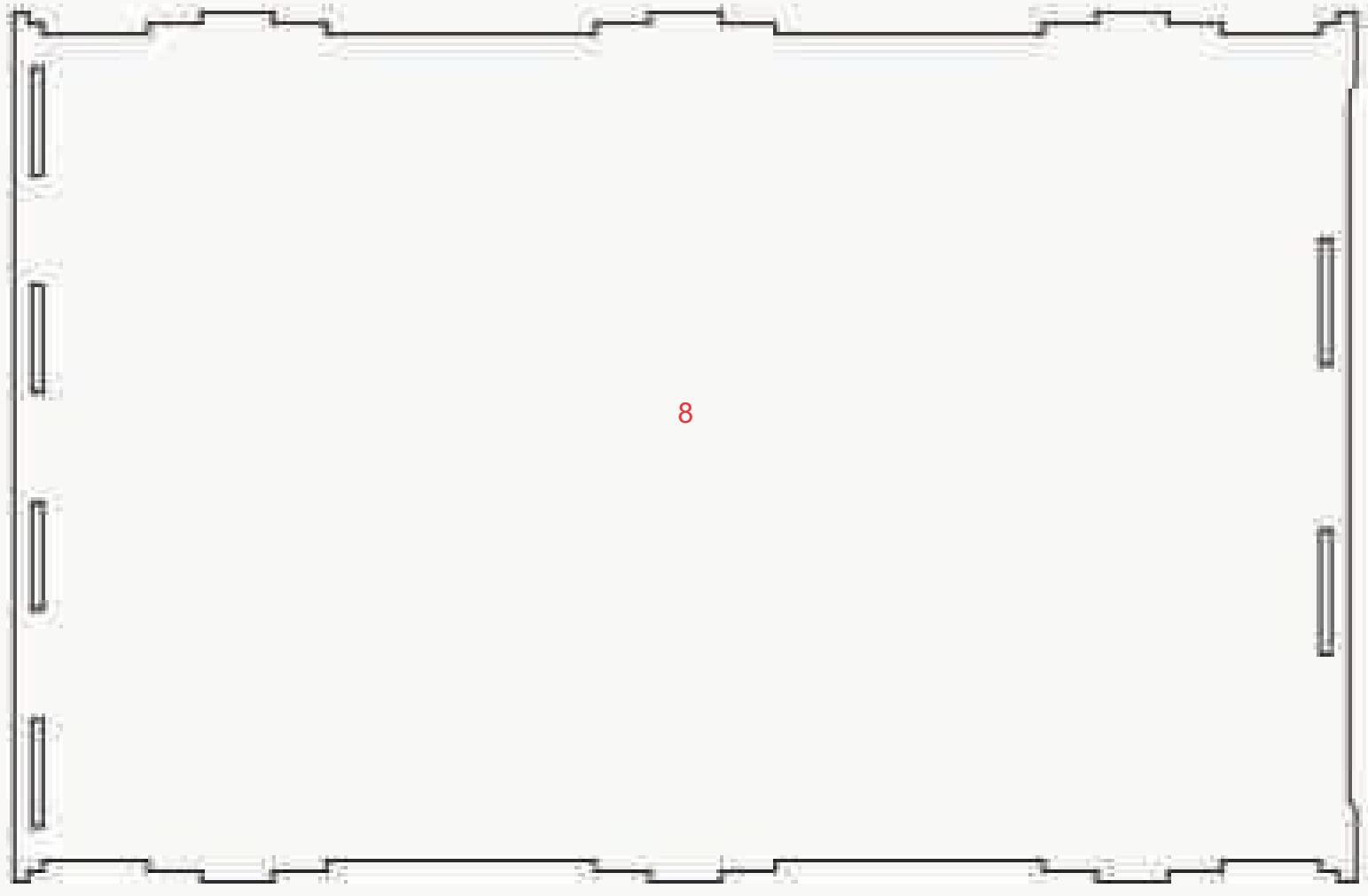
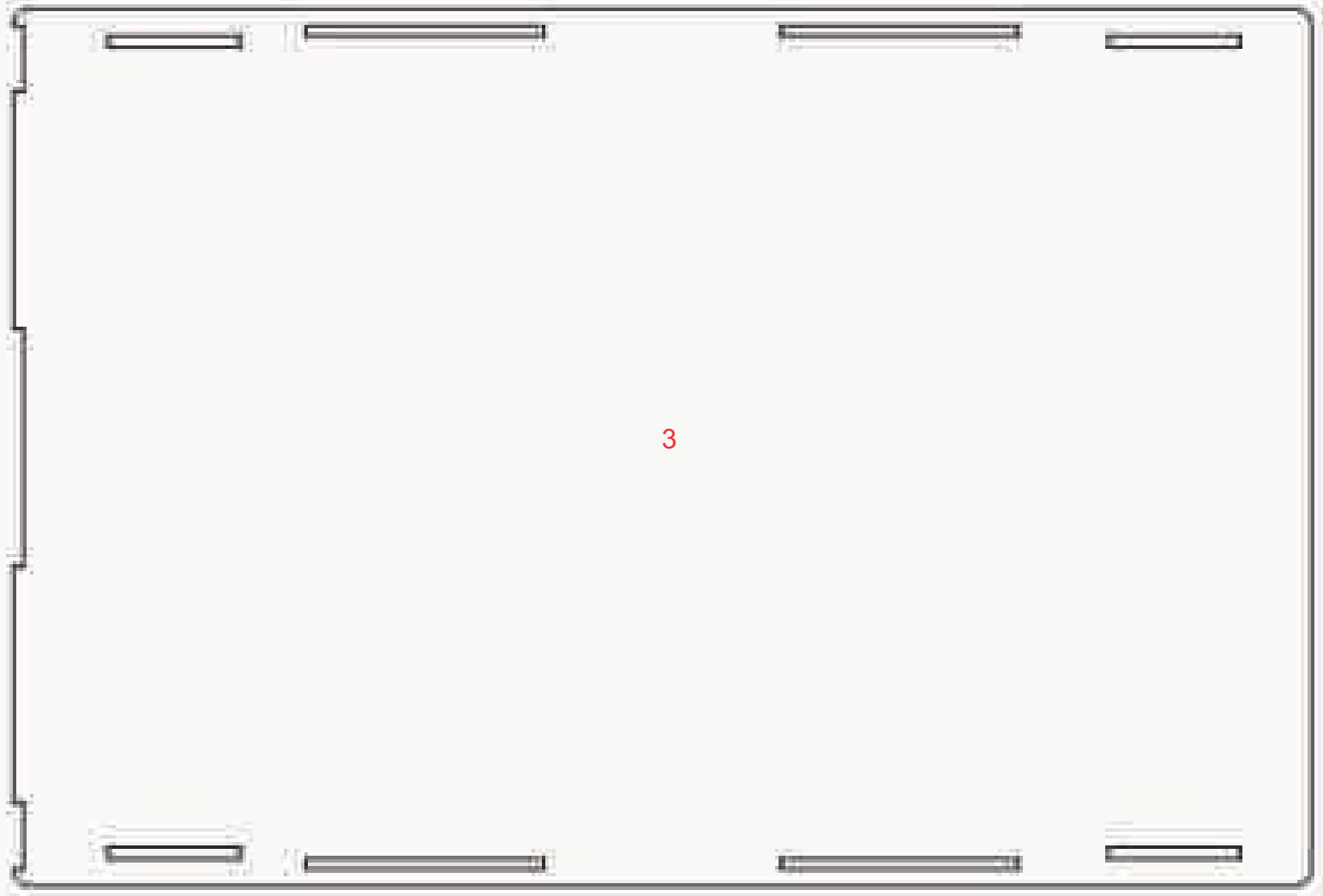
Turn horizontally

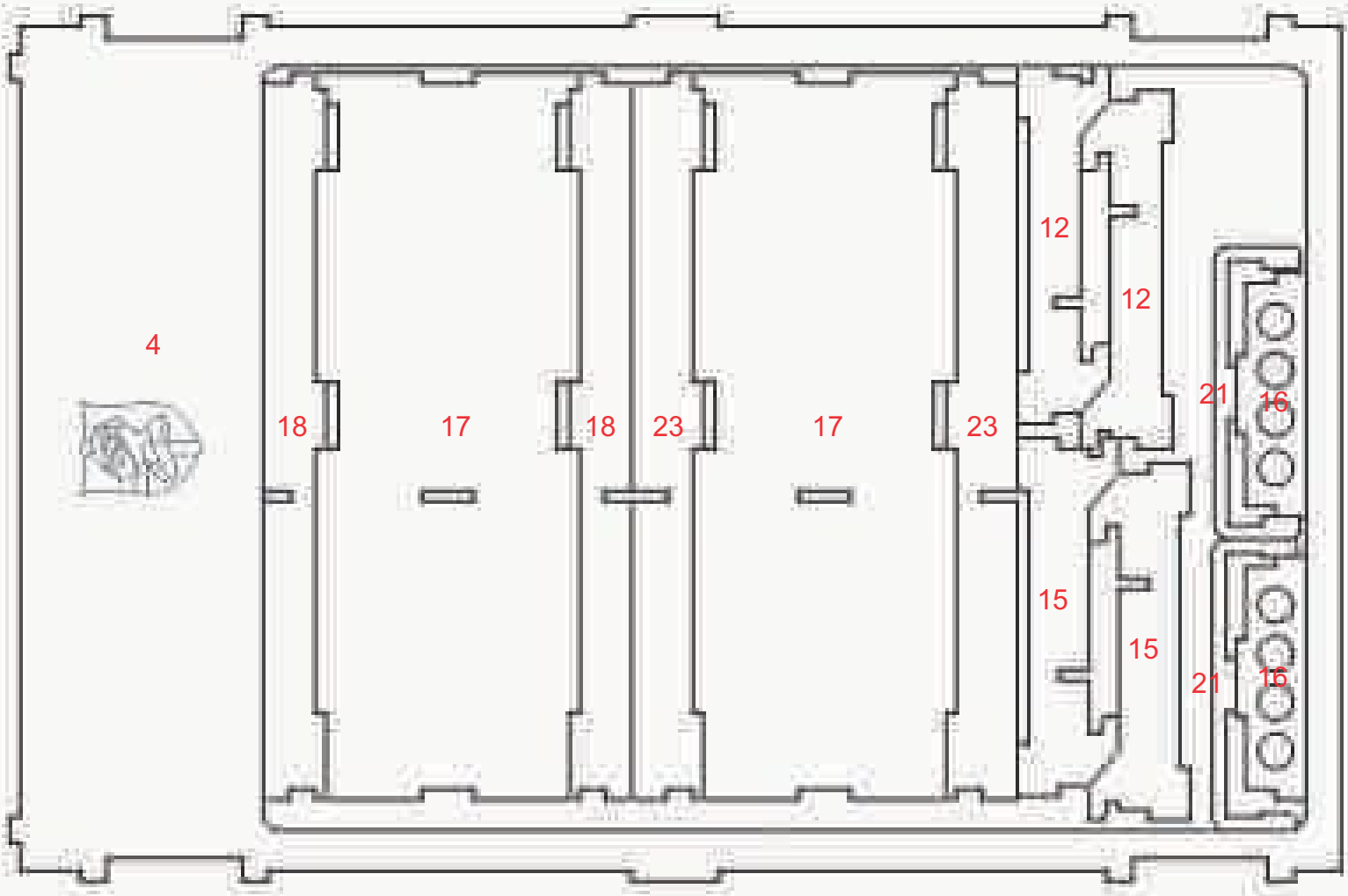
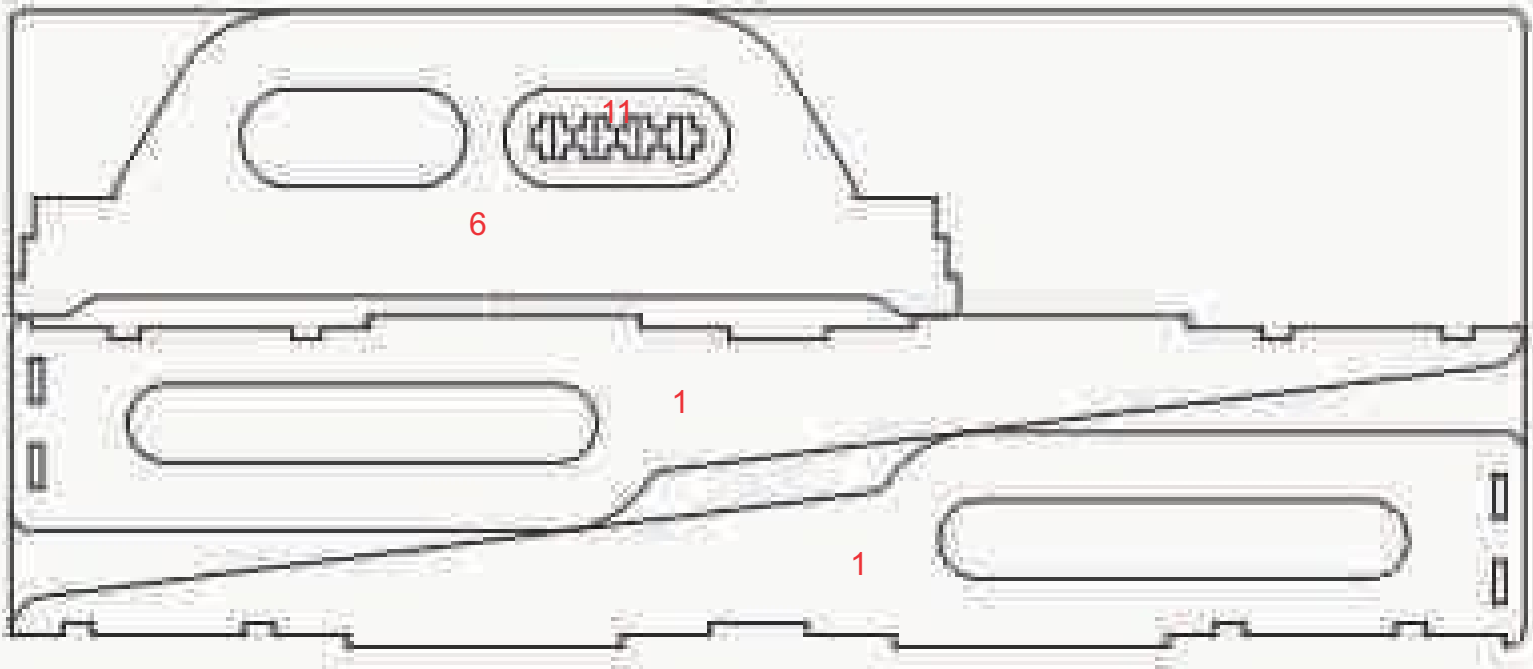


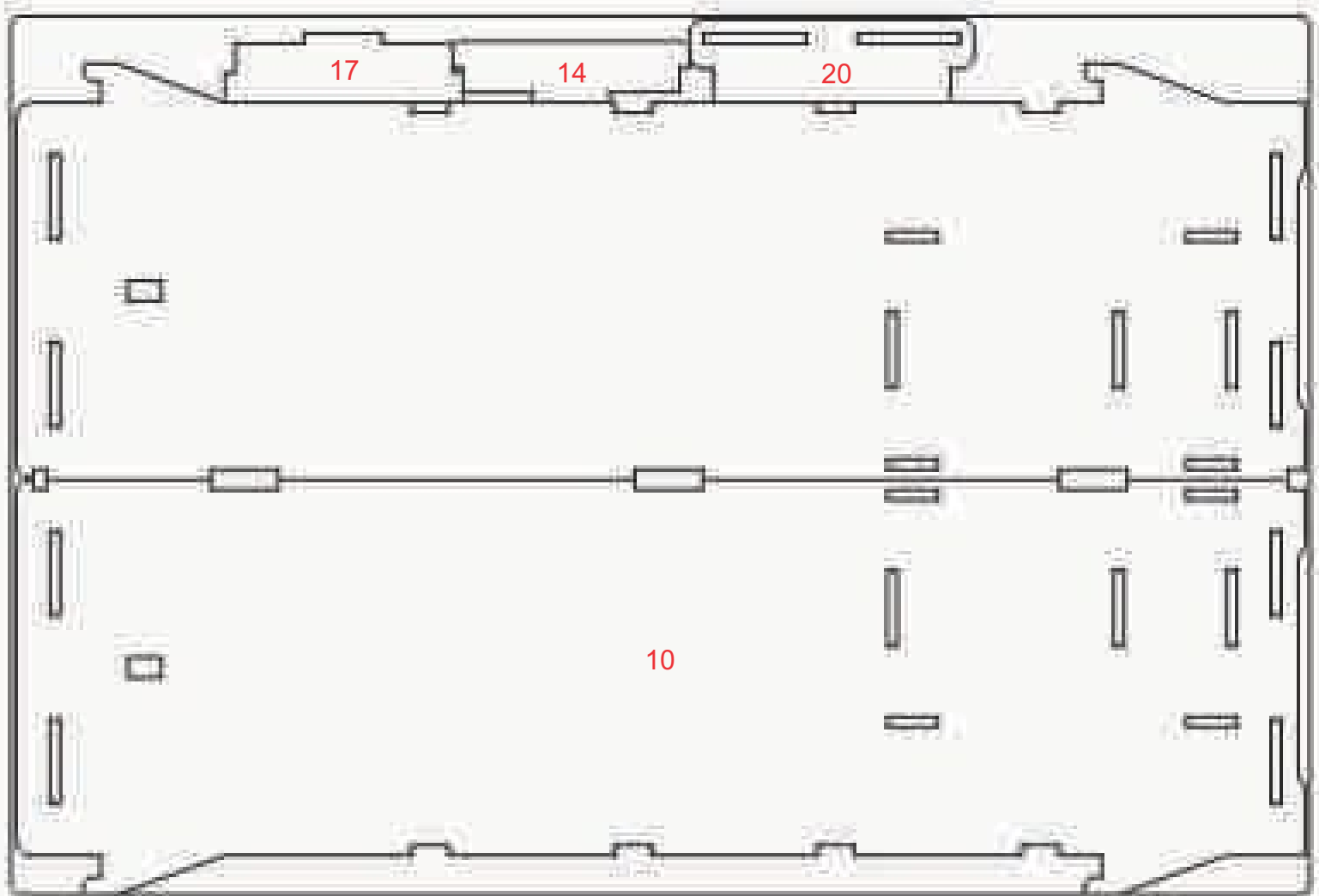
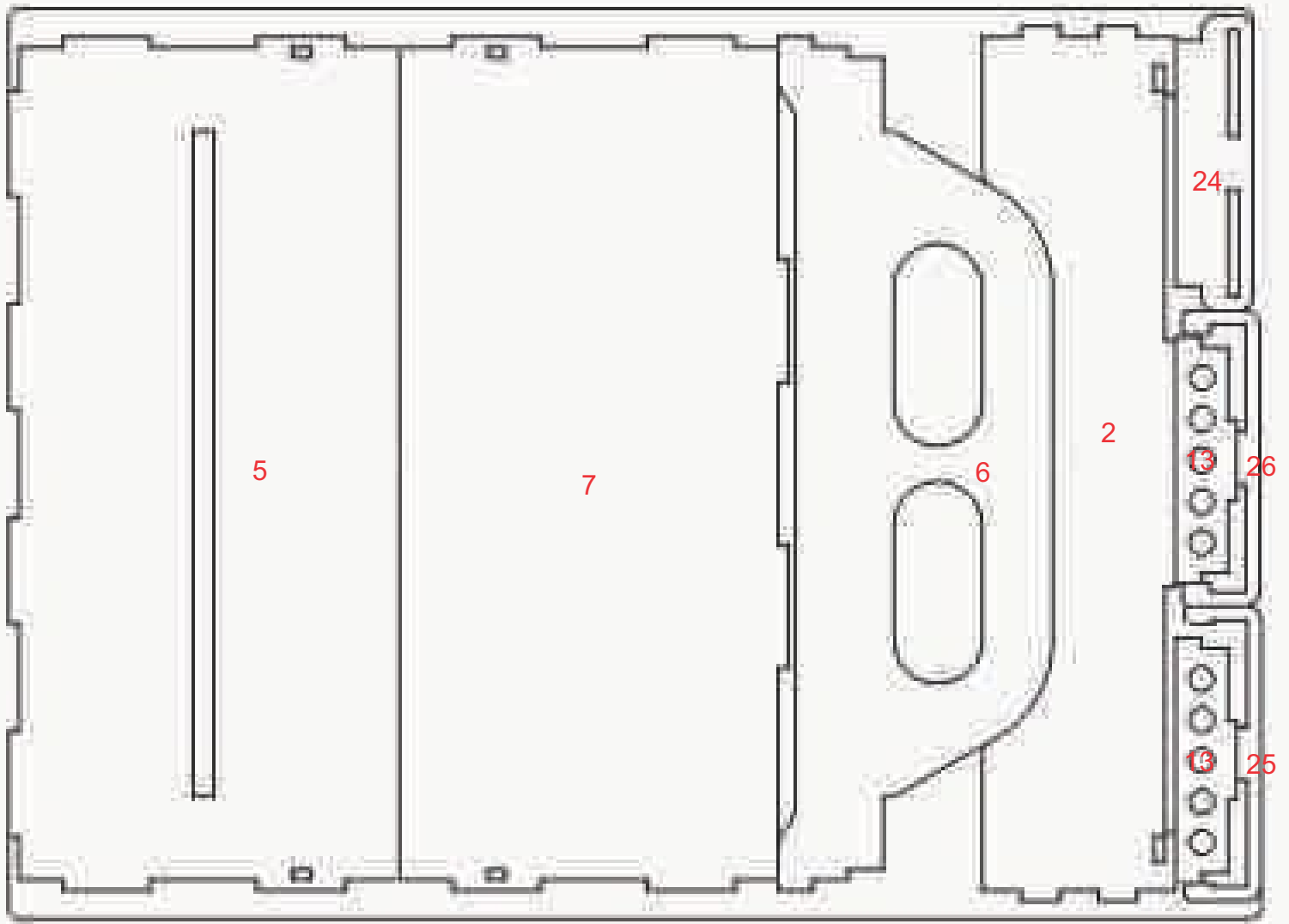
Turn vertically

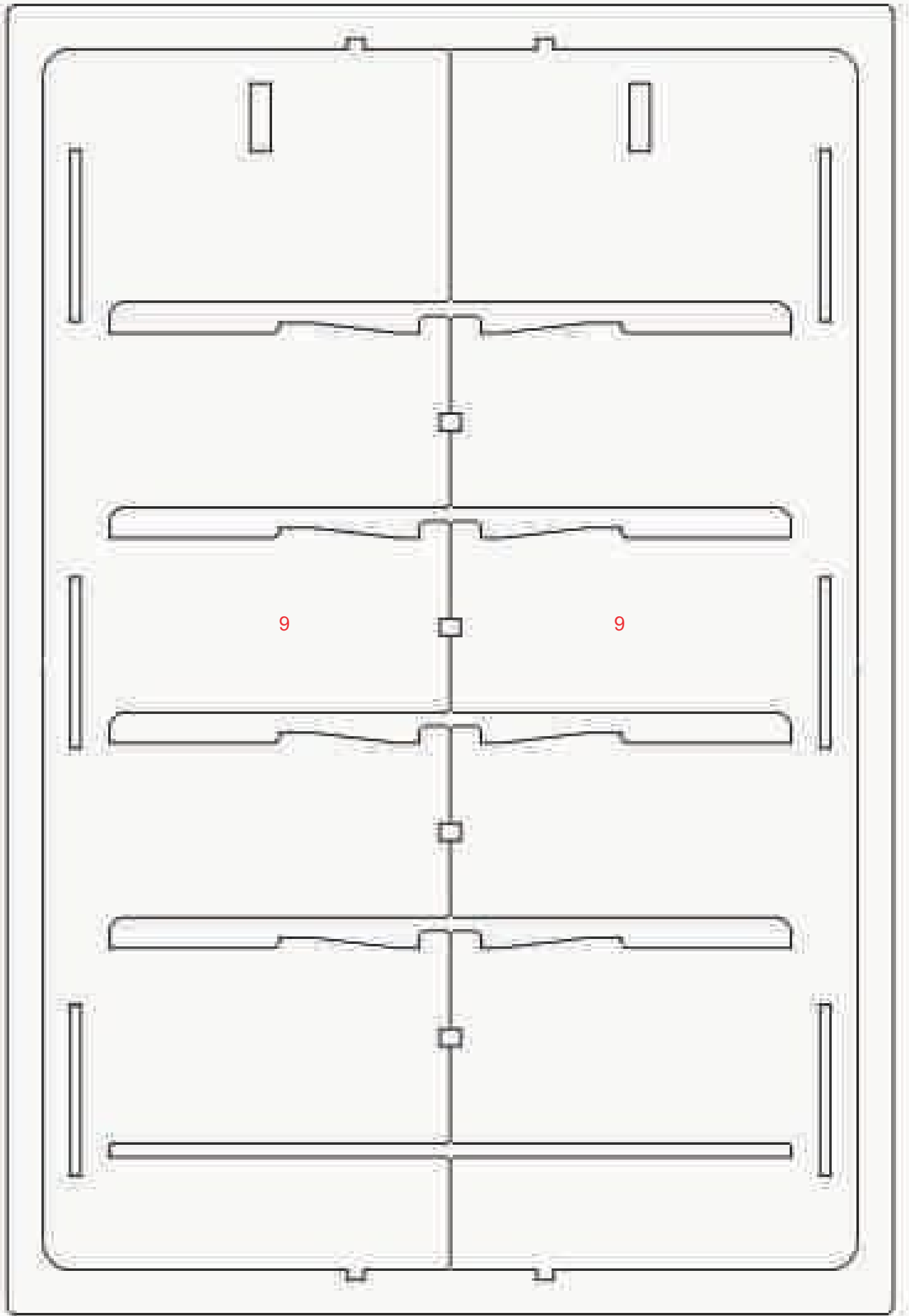


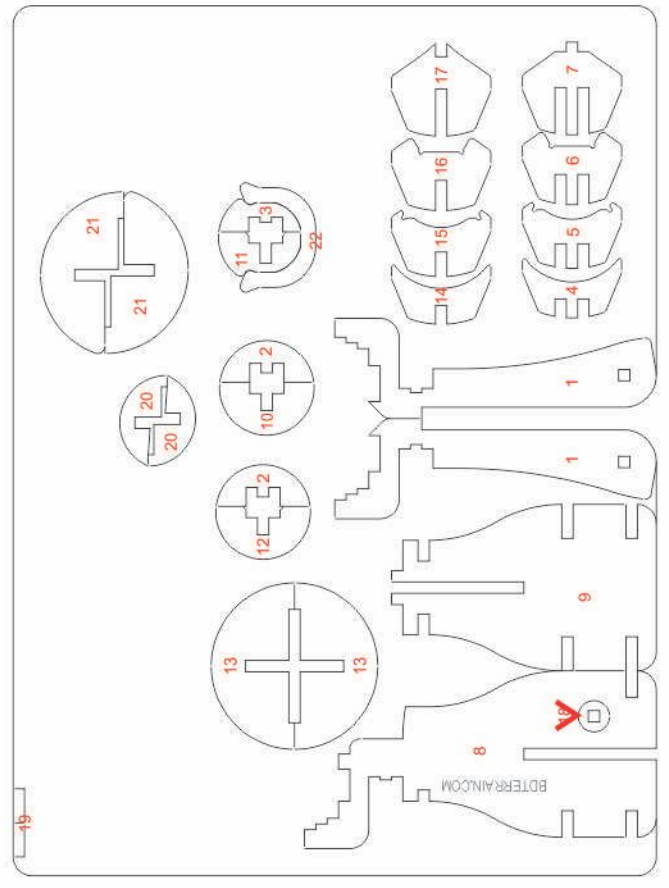
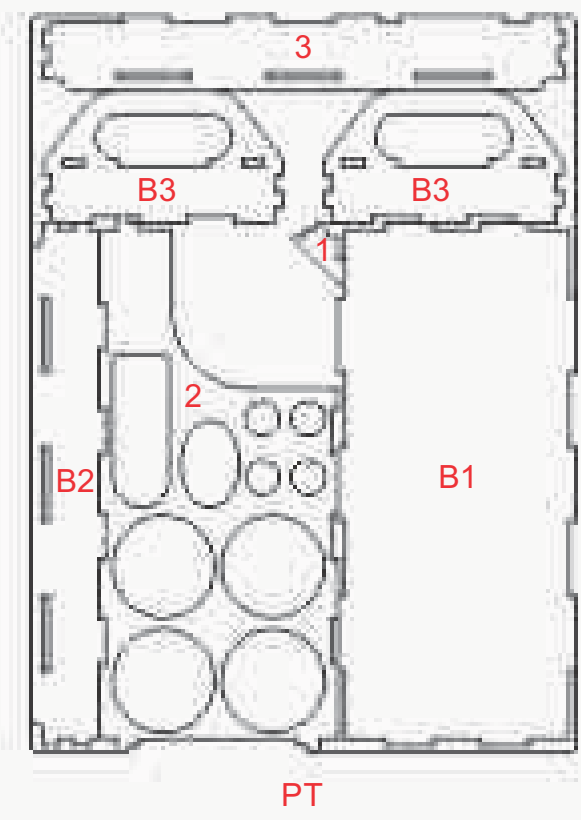
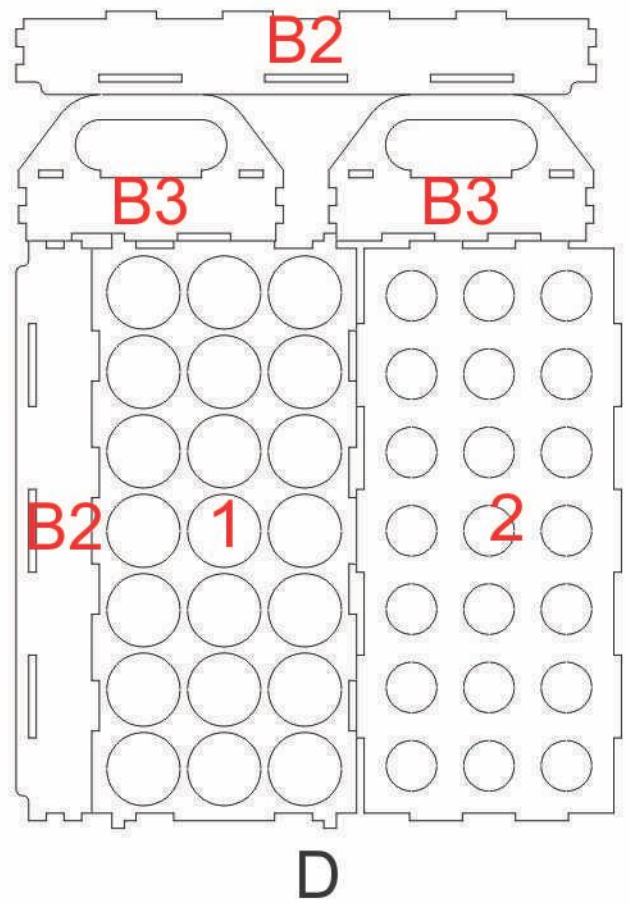
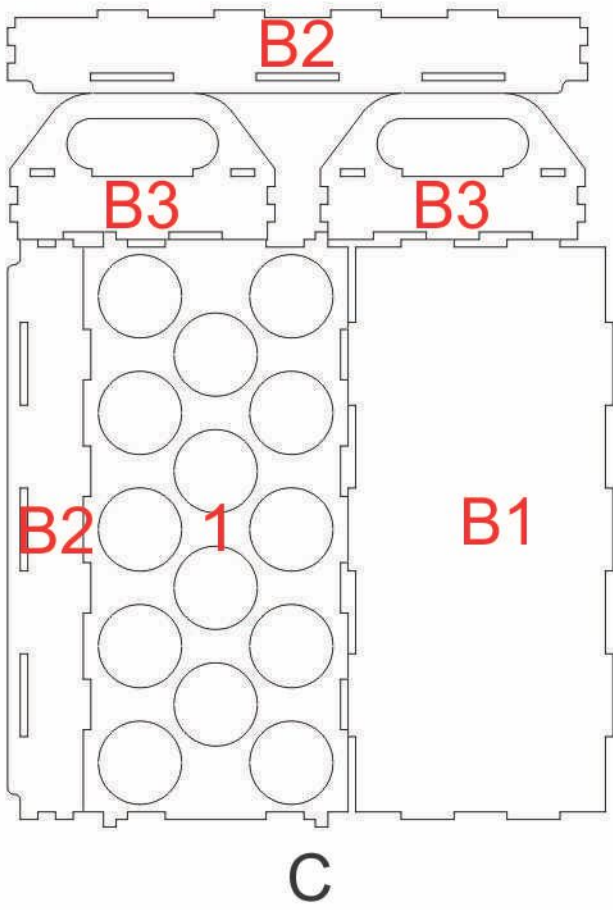
Warning: Choking hazard. Kit contains small parts.
Not suitable for children under 3 years old.

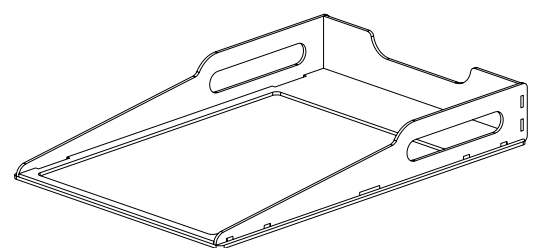
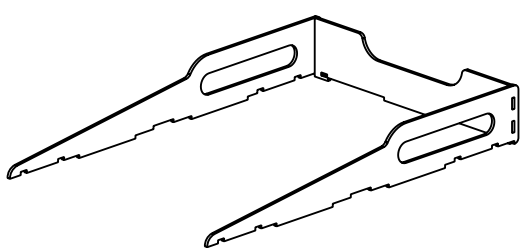
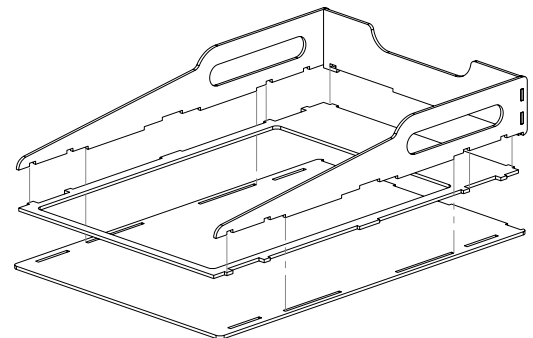
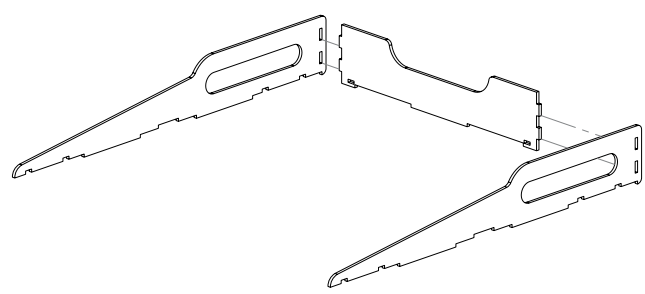
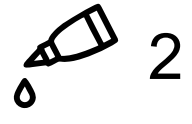
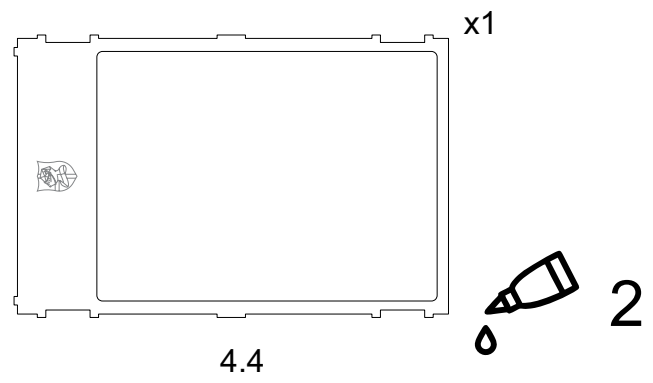
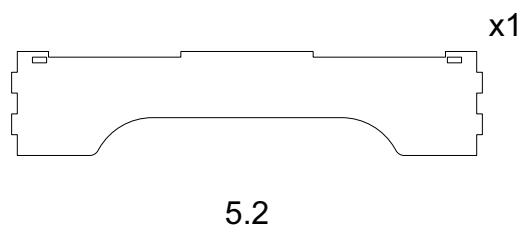
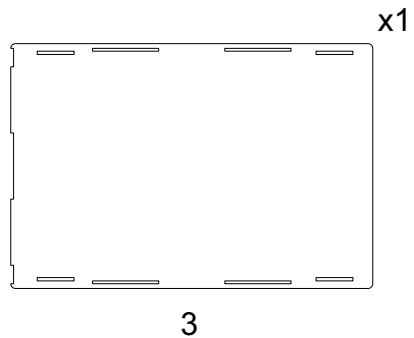
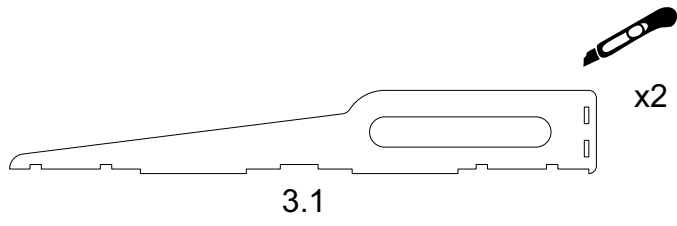


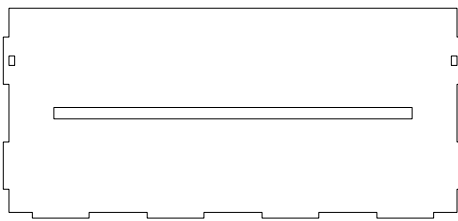








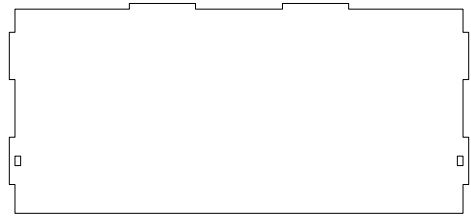




x1



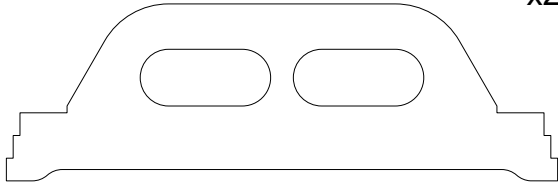
5.5



x1

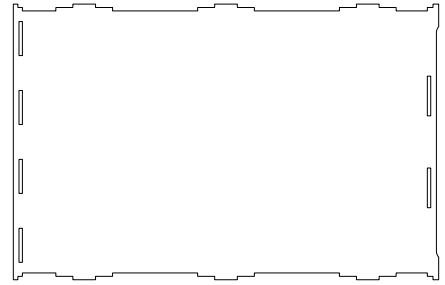


5.7



x2

3.6, 5.6

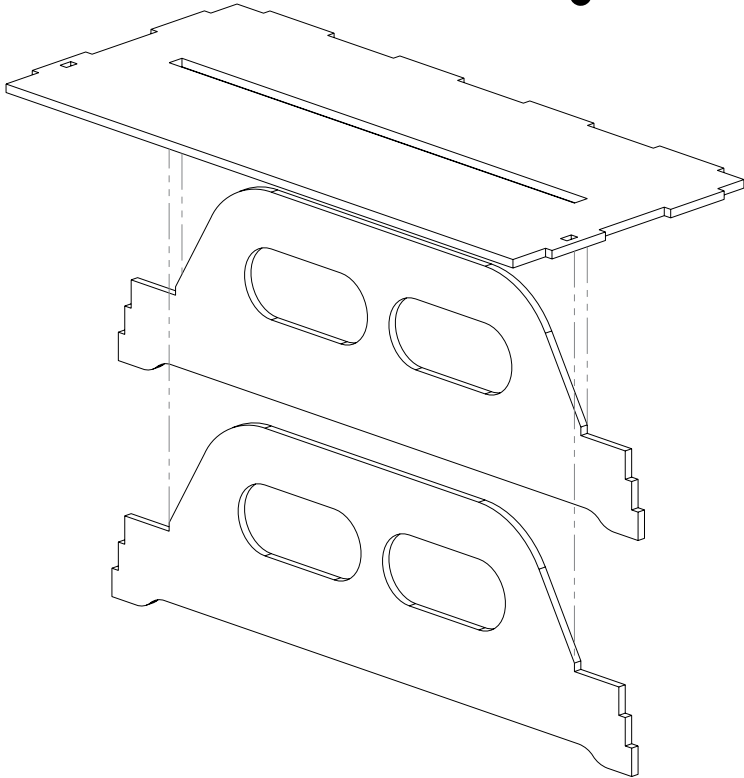


x1

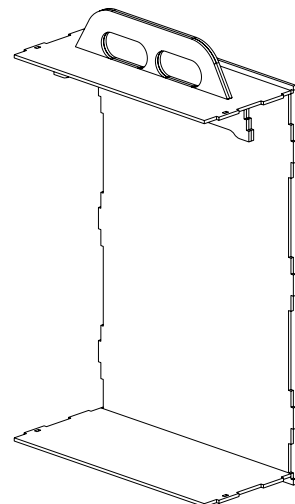
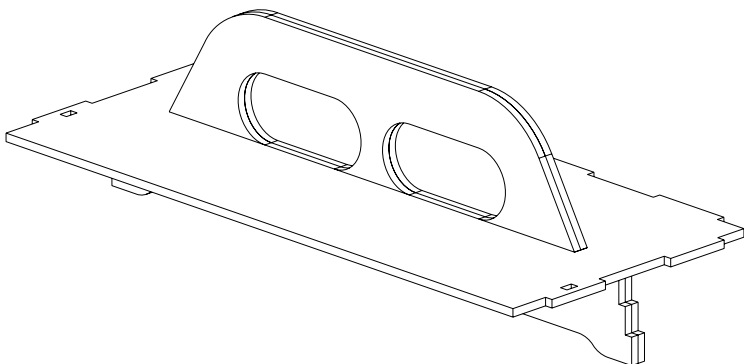
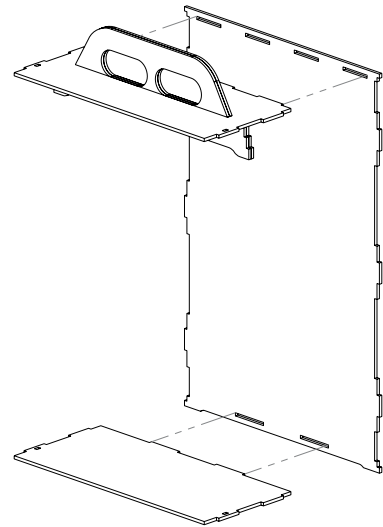
8



3

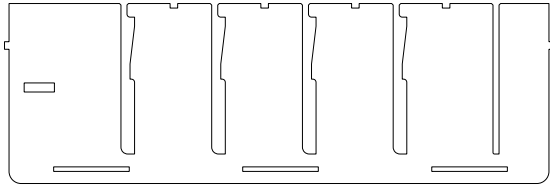


4





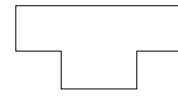
x2



7.9

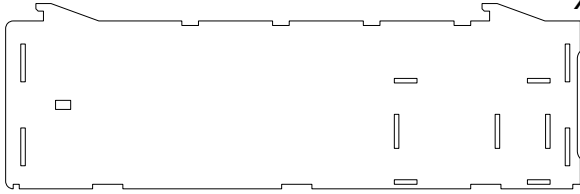


x8



3.11

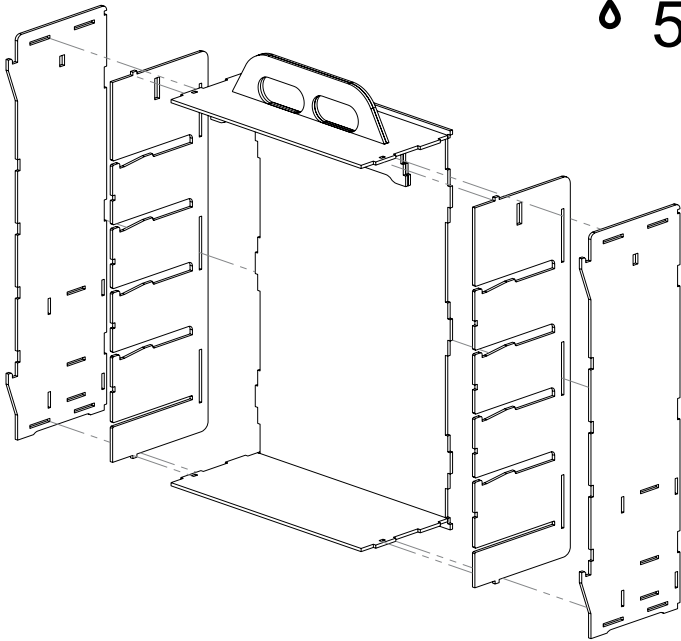
x2



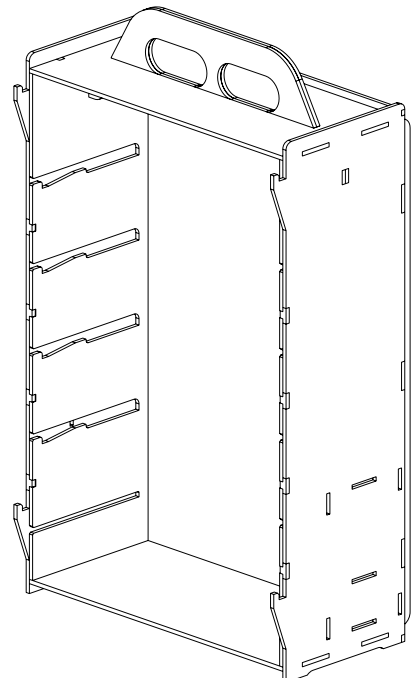
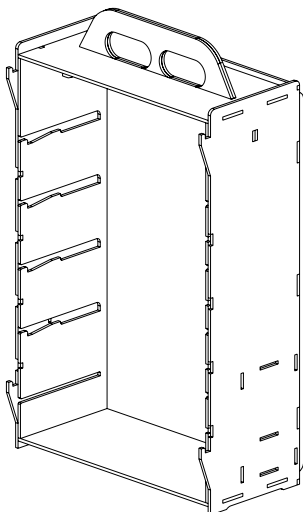
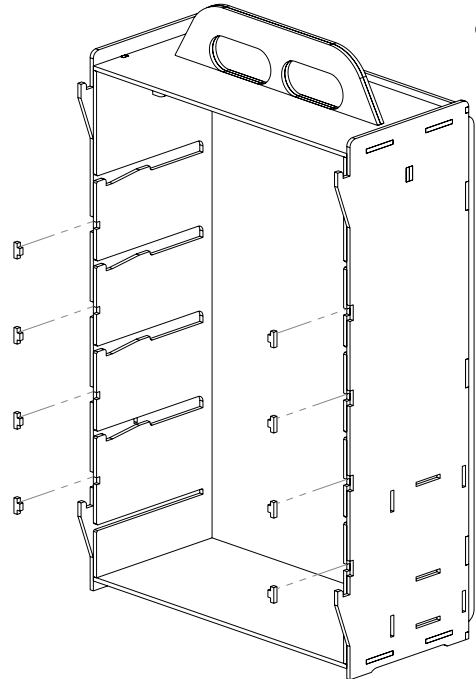
6.10

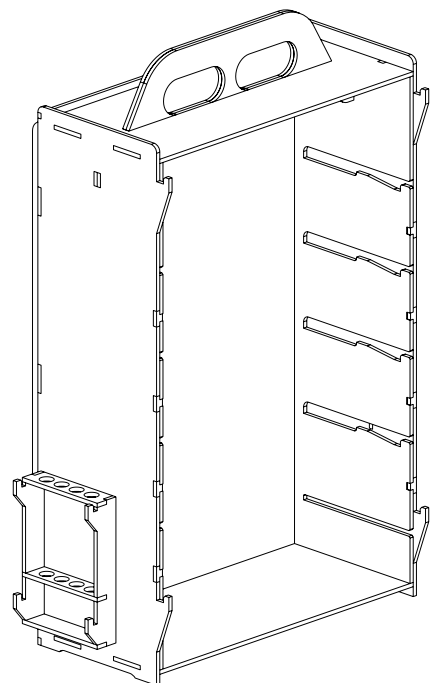
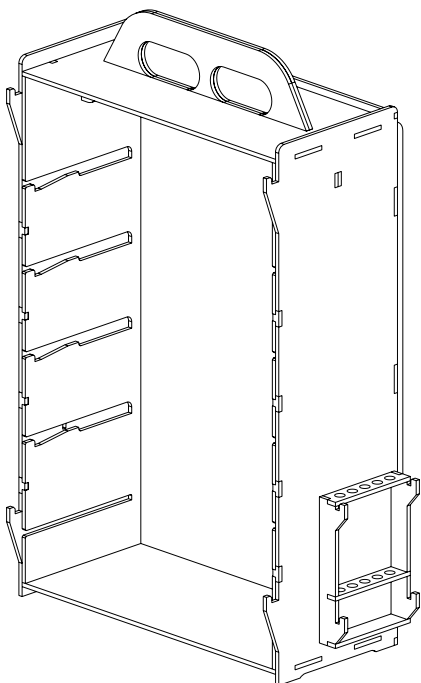
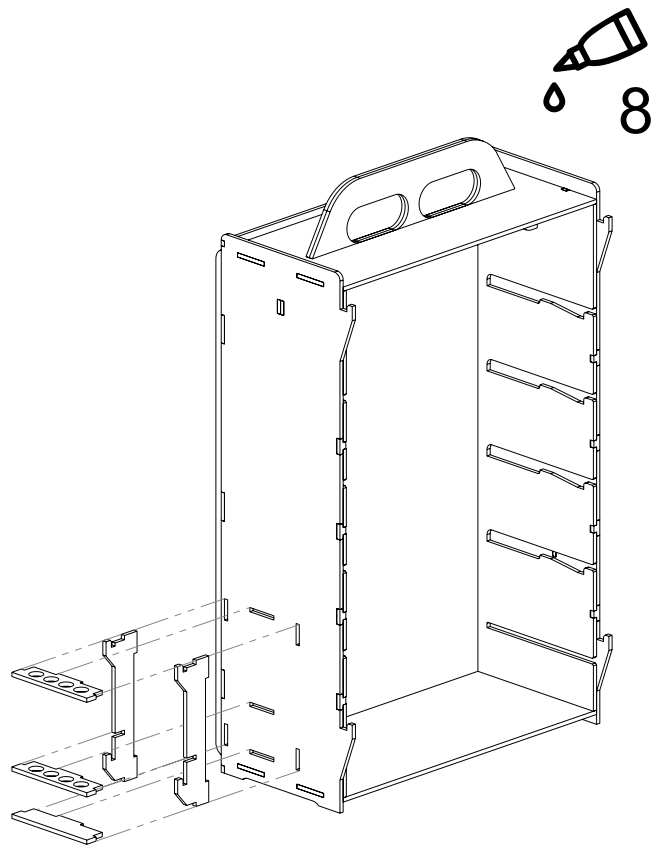
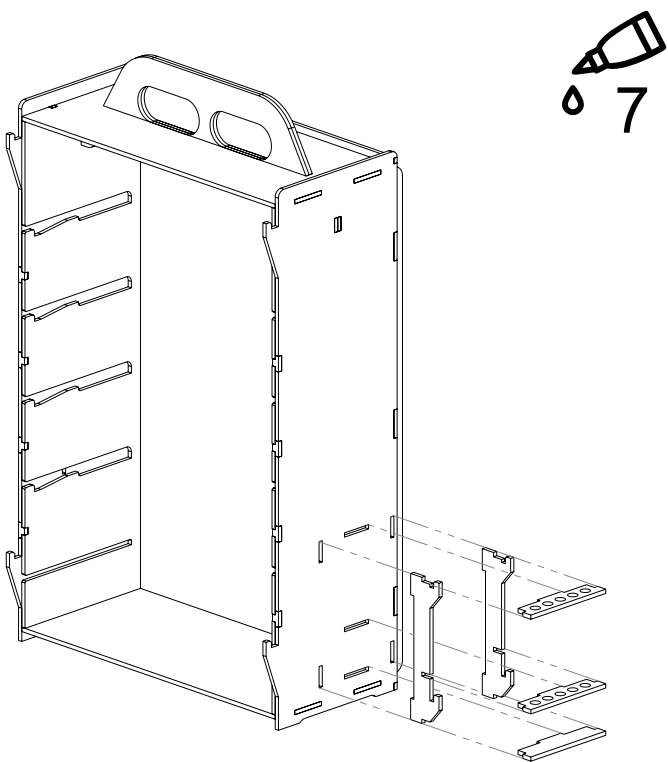
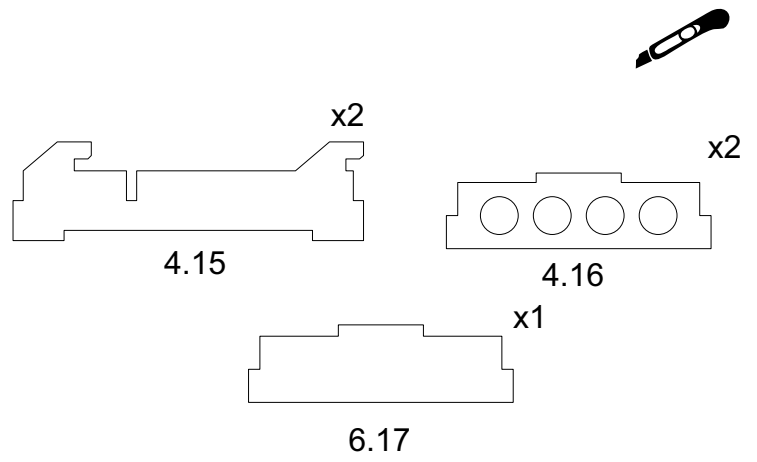
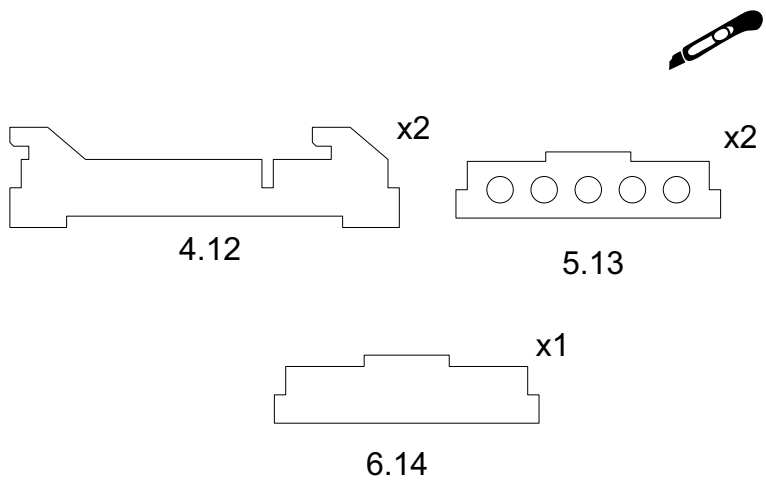


5



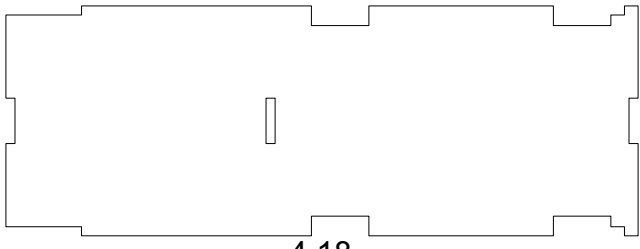
6







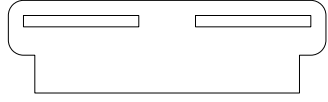
x1



4.18



x1

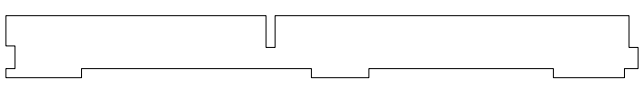


6.20



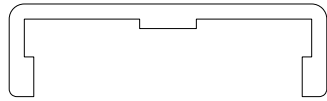
4.21

x2



4.19

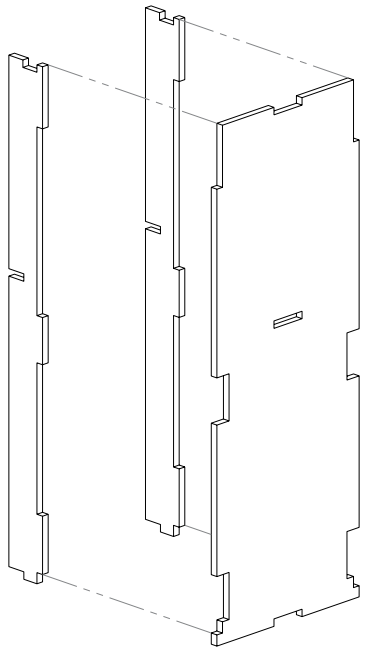
x1



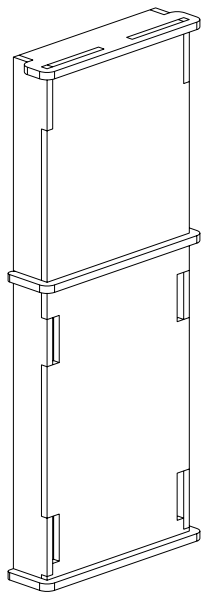
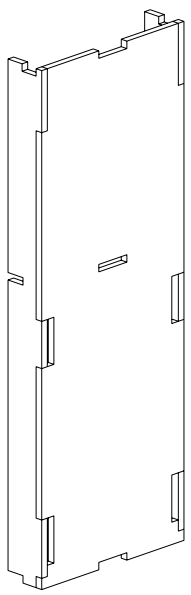
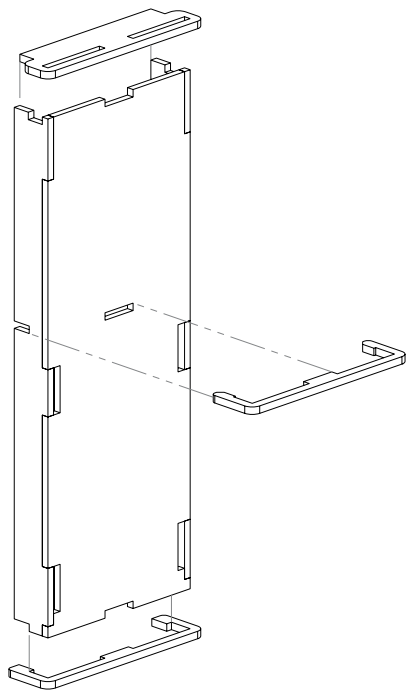
4.22



9

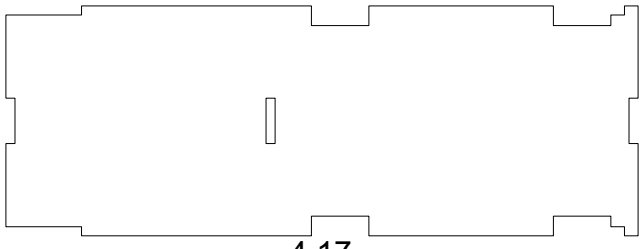


10



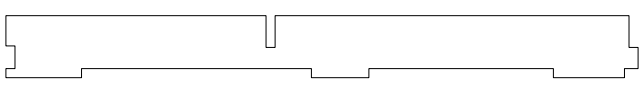


x1



4.17

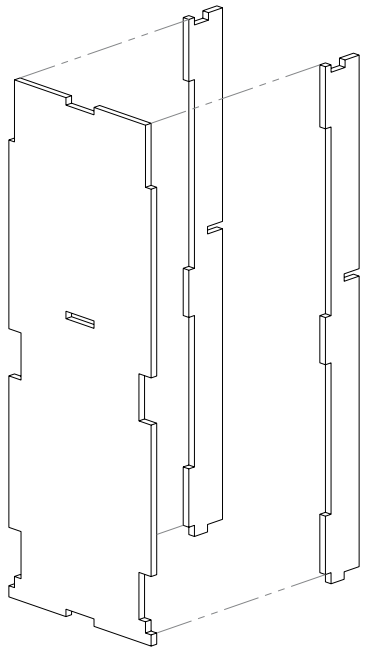
x2



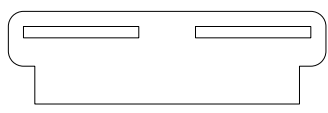
4.23



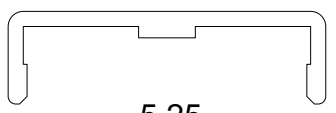
11



x1

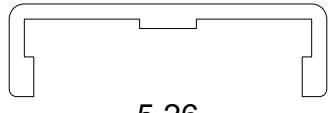


5.24



5.25

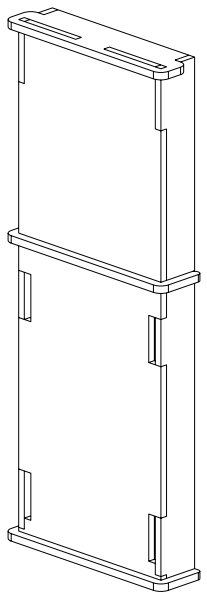
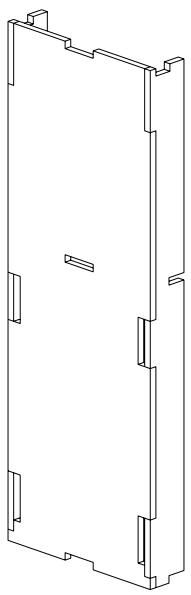
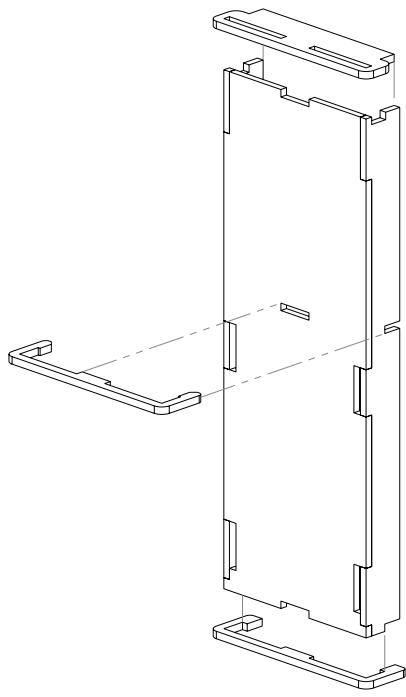
x1

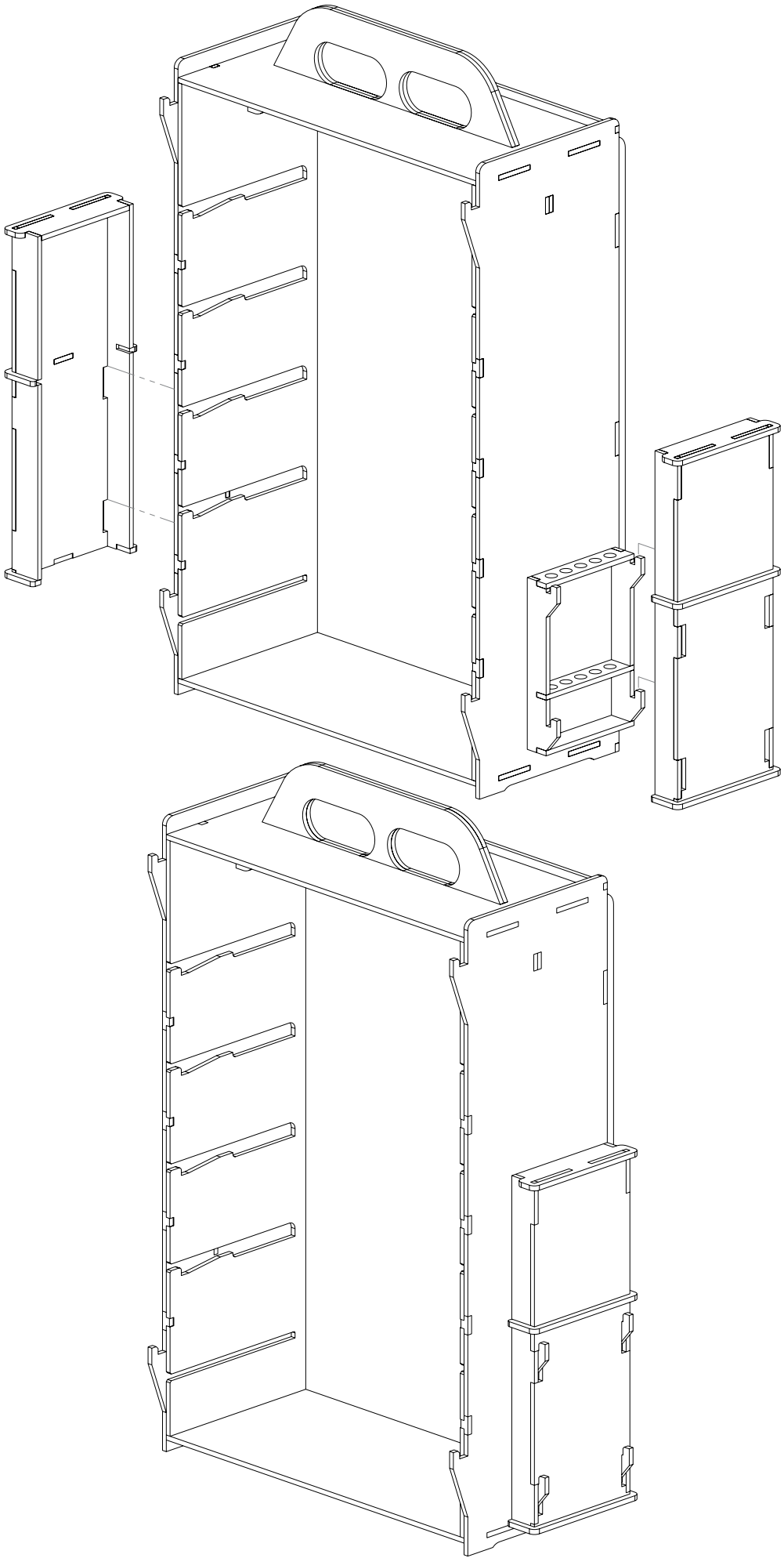


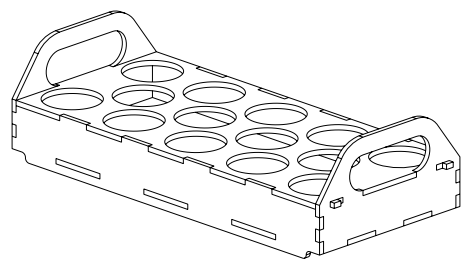
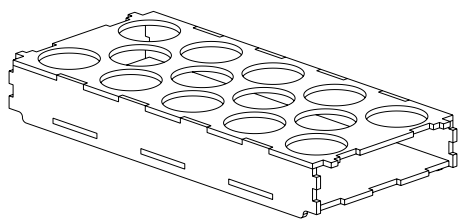
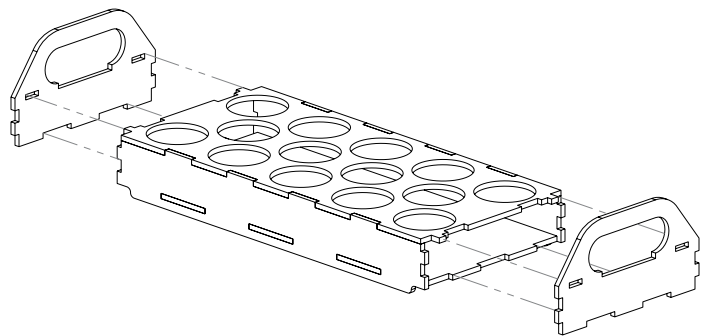
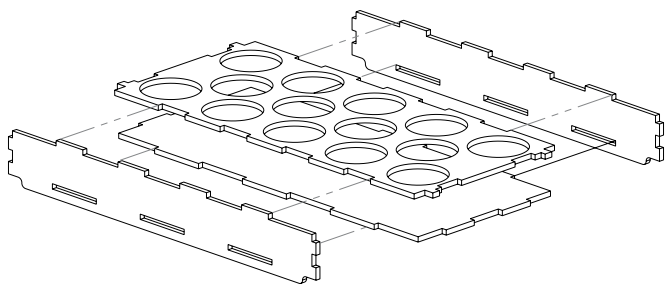
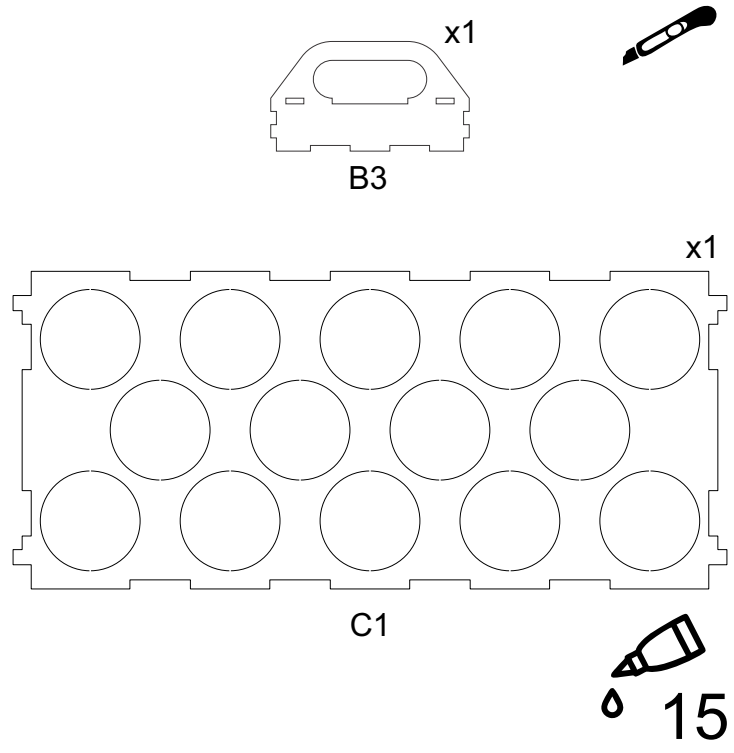
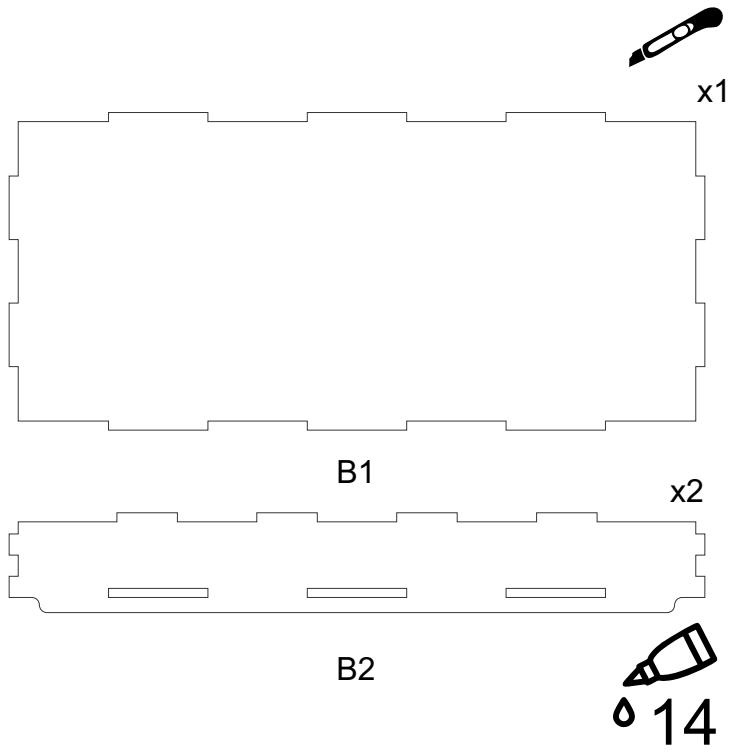
5.26

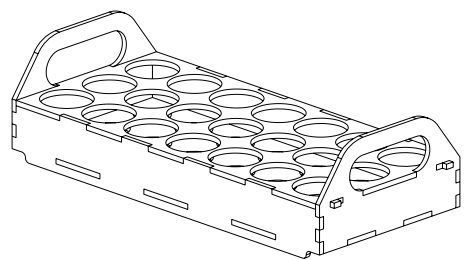
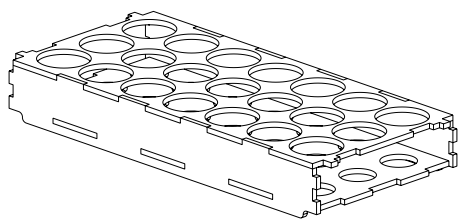
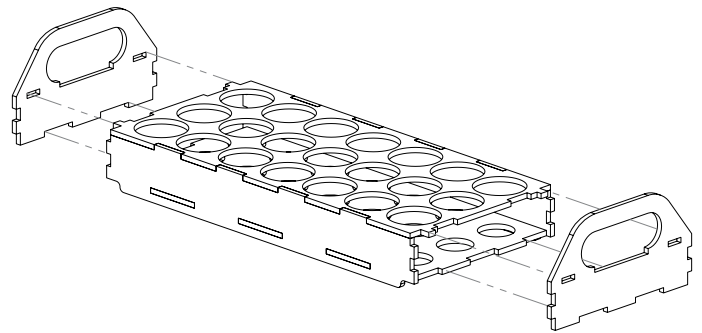
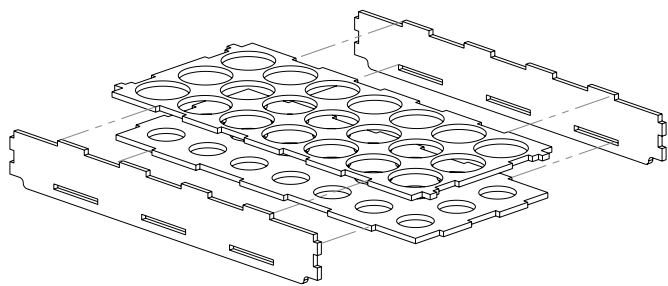
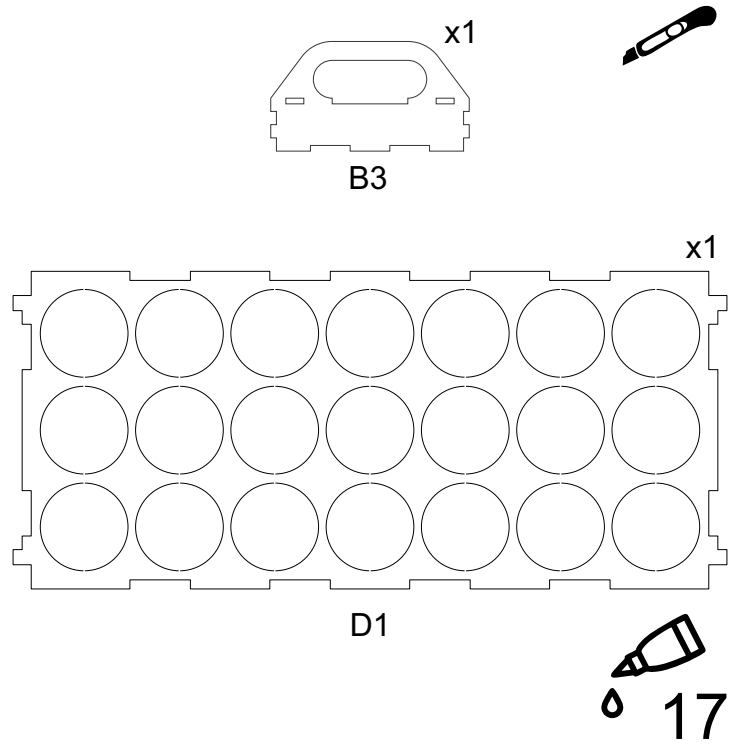
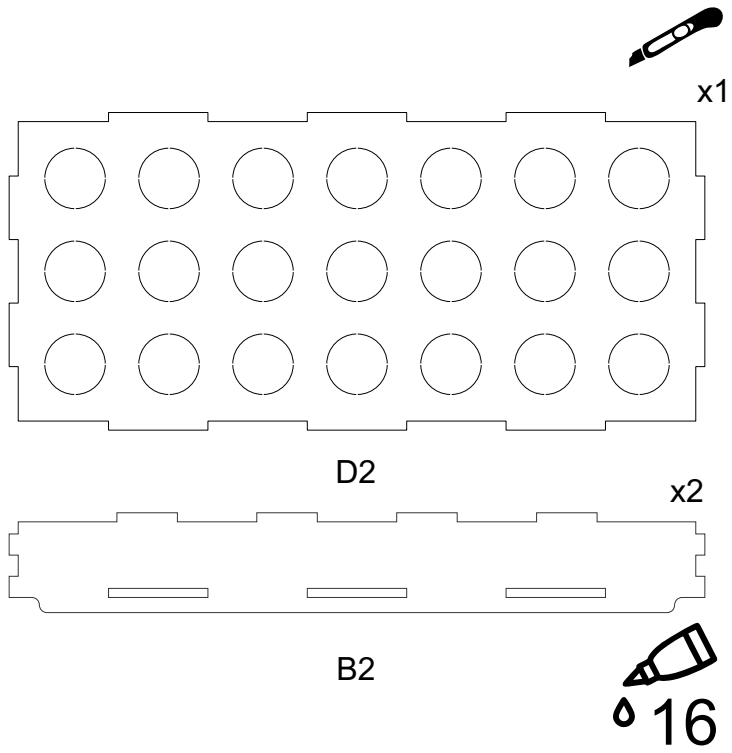


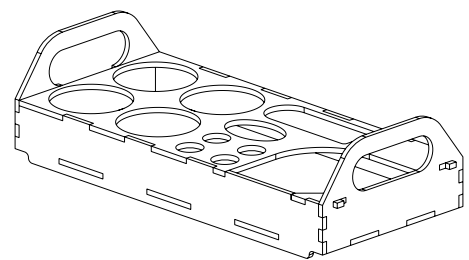
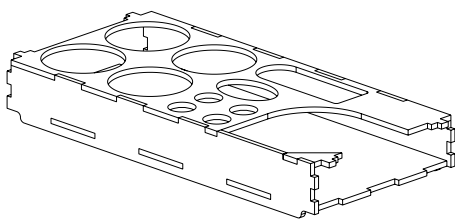
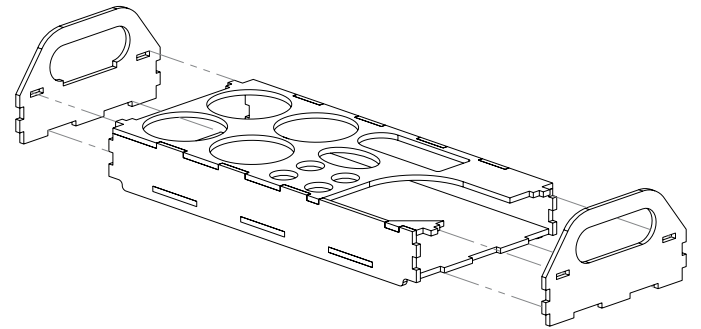
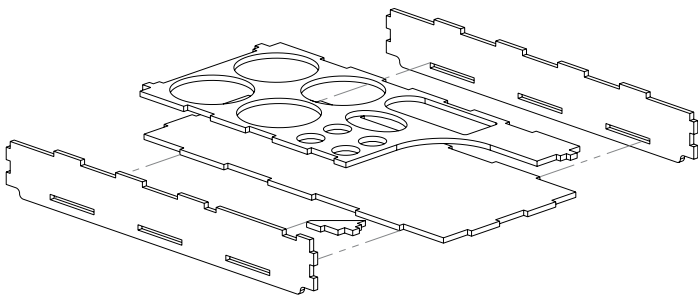
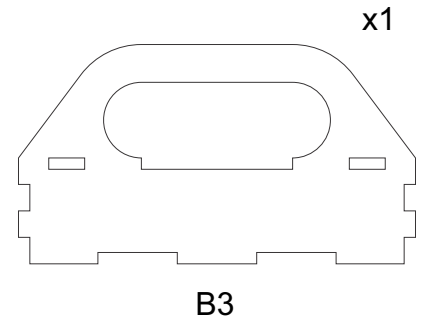
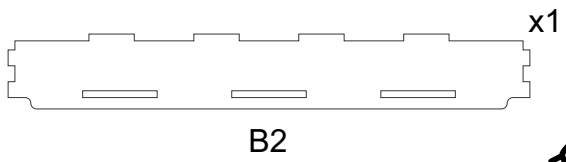
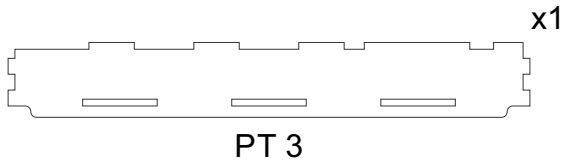
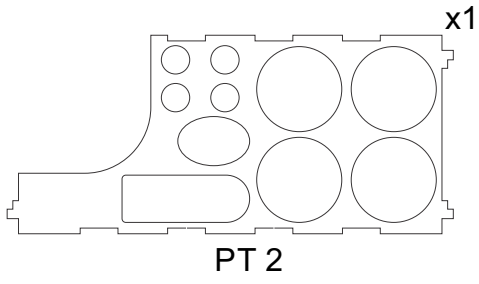
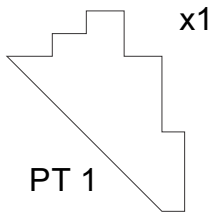
12

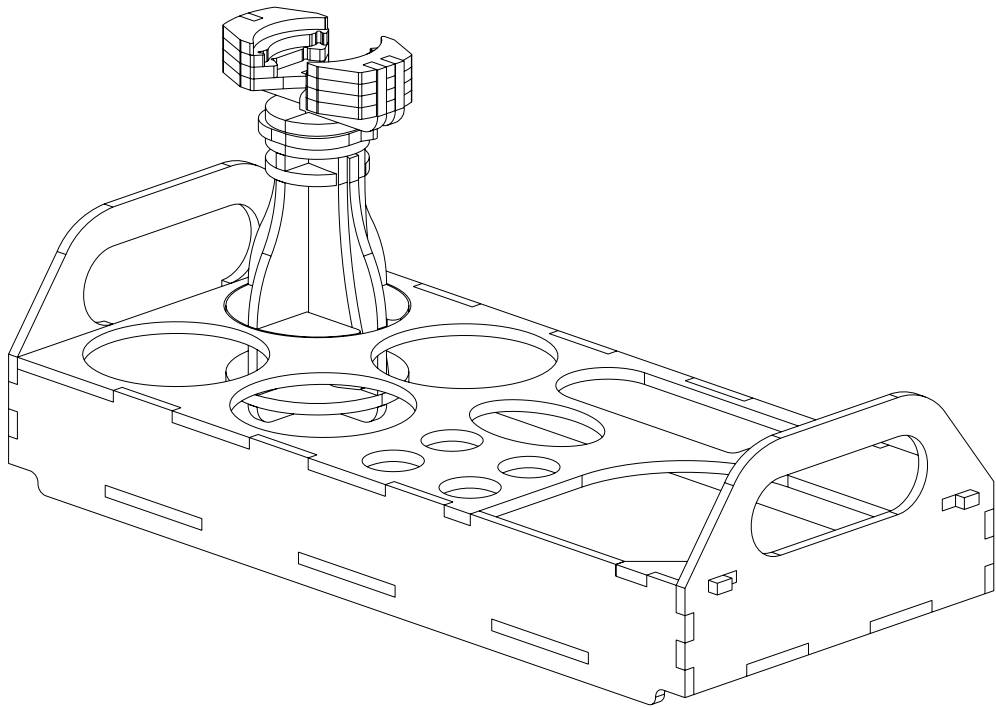
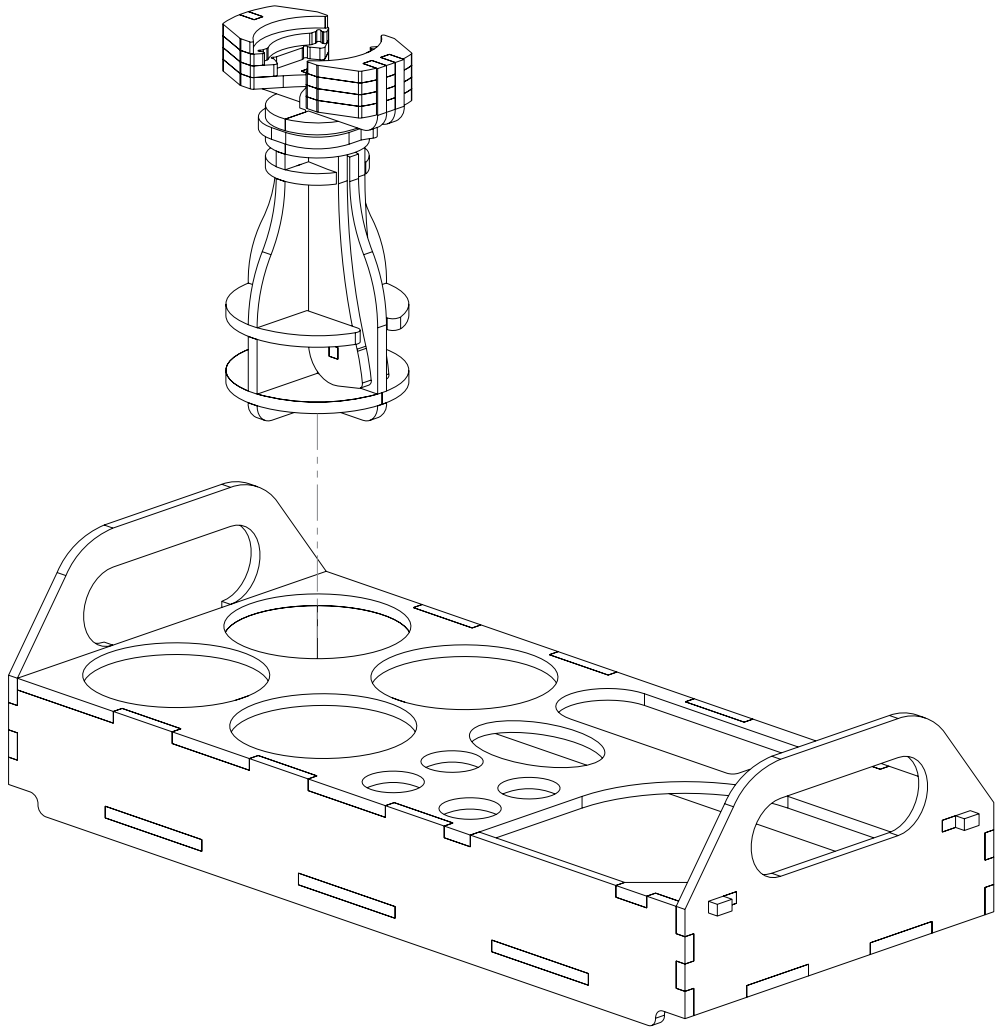


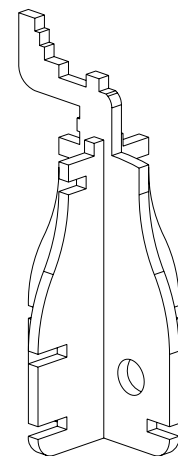
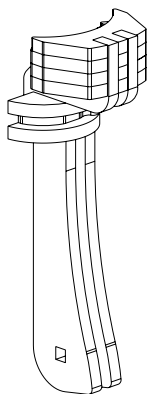
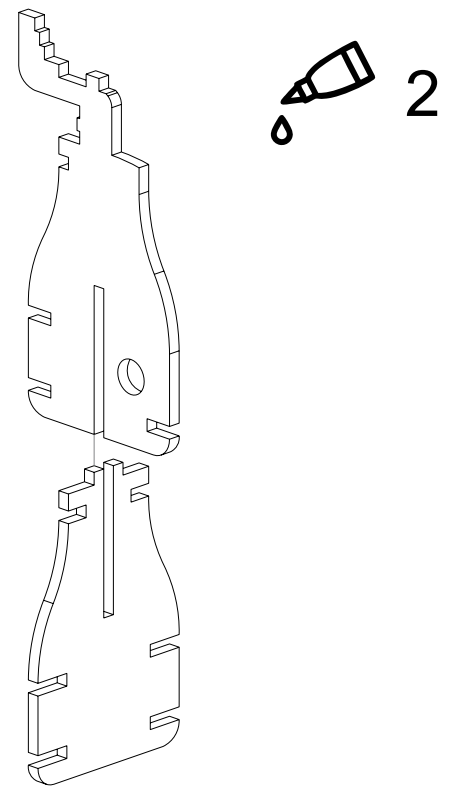
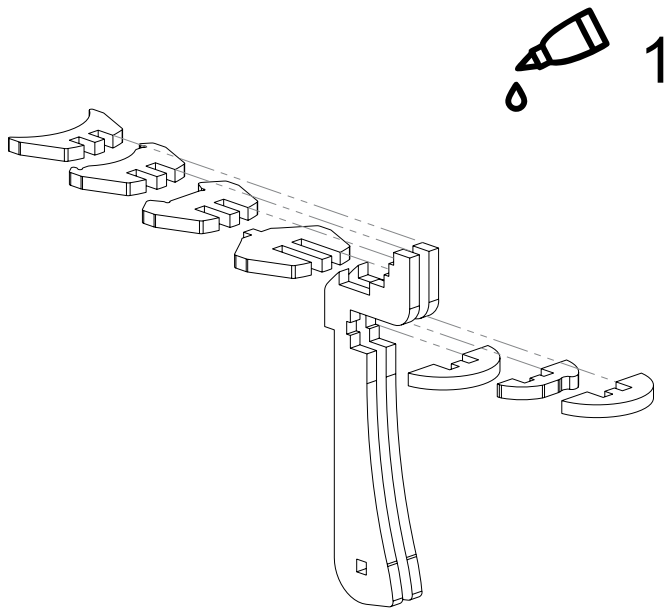
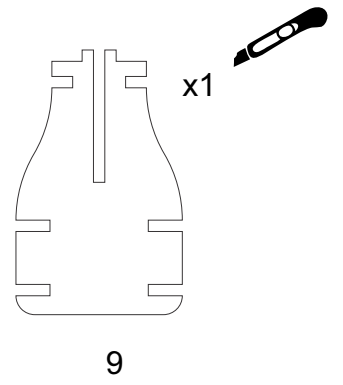
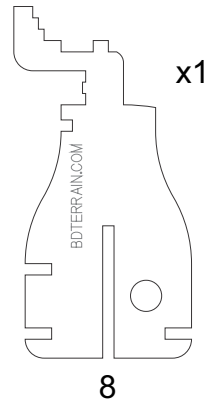
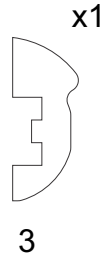
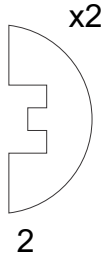
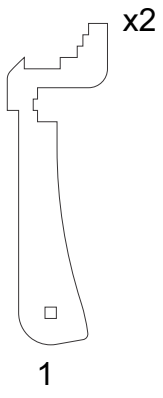


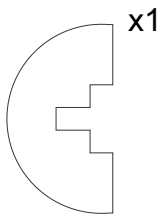










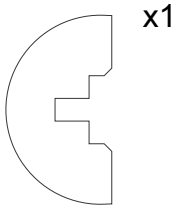


10

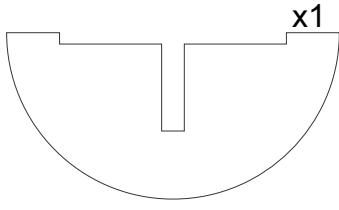


11

x1



12



13



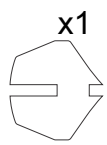
14



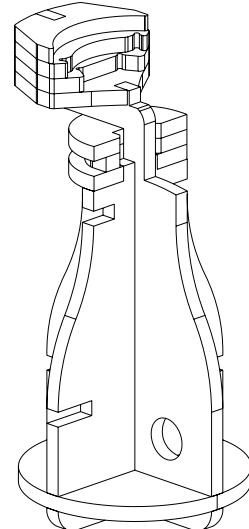
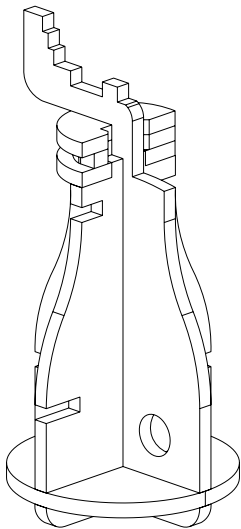
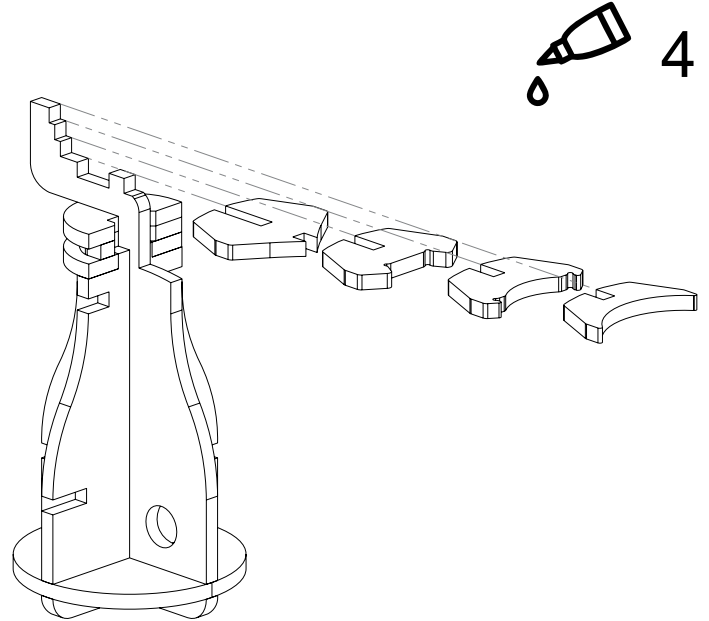
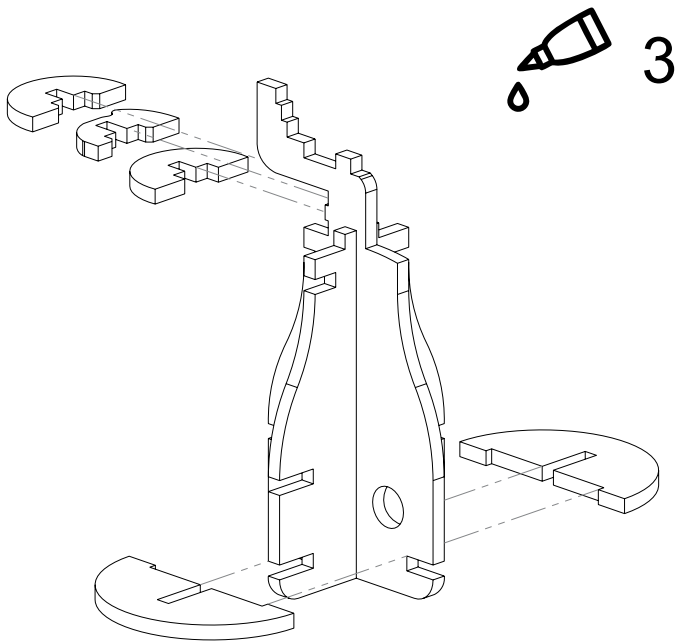
15

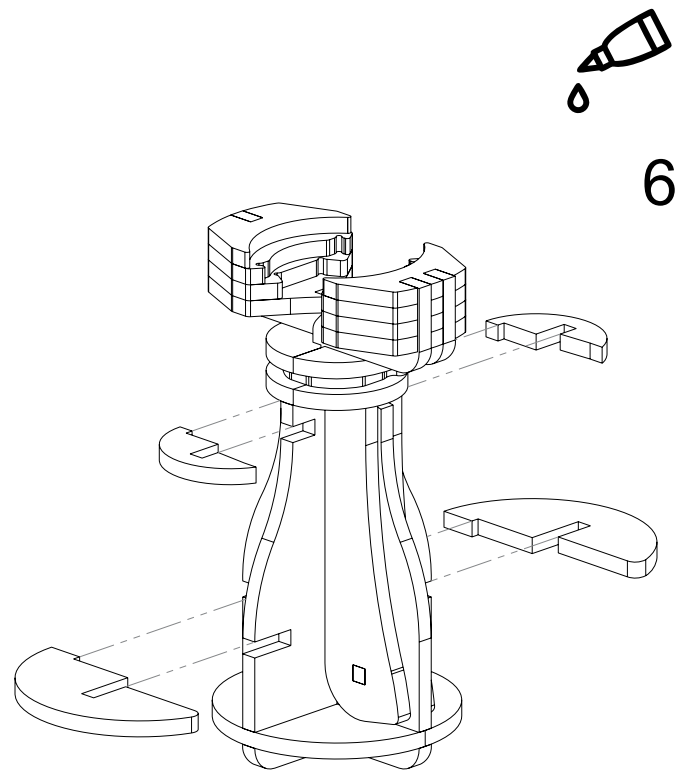
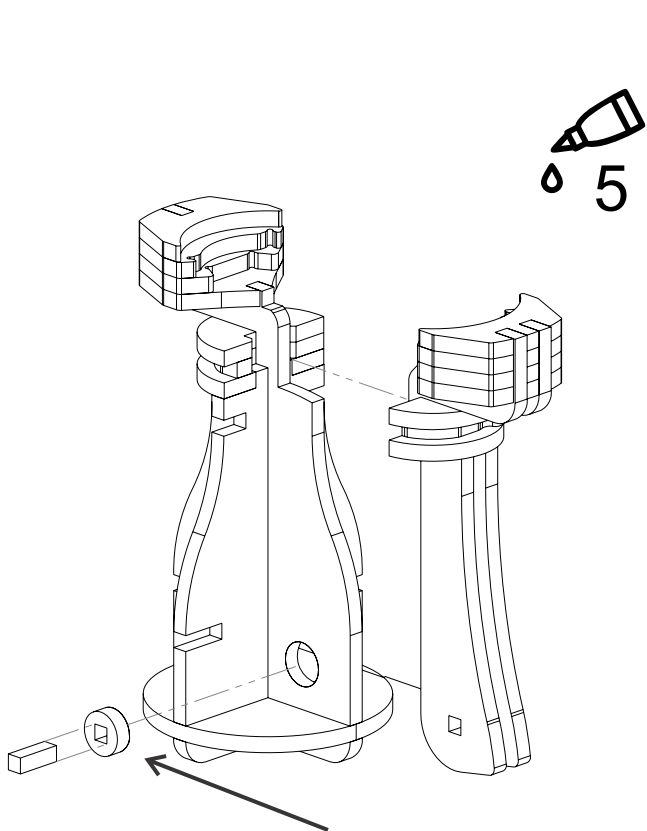
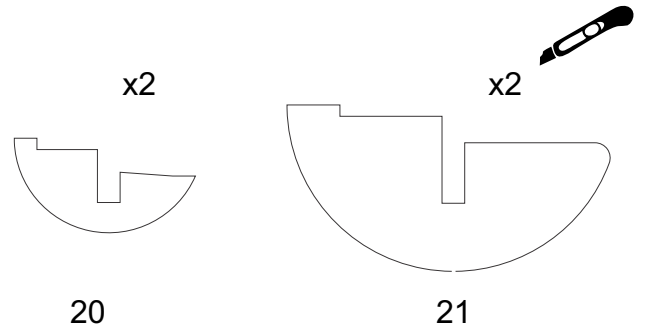


16



17





Do not glue onto the outside of the wheel.
It should spin freely.

