

# Spirited Away Book Nook Assembly Instructions



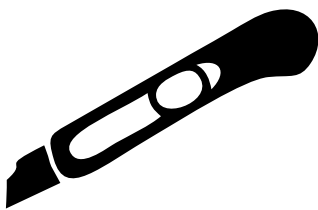
## Important info and symbols.

You will need a sharp, narrow blade such as a utility or a hobby knife and some wood glue.

Some parts of the assembly has to be able to move. Be careful to not get glue into those areas, and allow glue to dry on parts before sliding them into place.

Parts are named sheet first, part second. Ex. 2.5 means sheet two, part 5. Parts that are the same, have the same number.

NB!!! Please do not print out these instructions unless absolutely necessary.



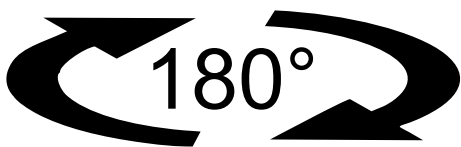
Cutting required



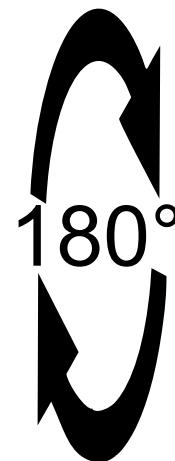
Glue required



Do not glue



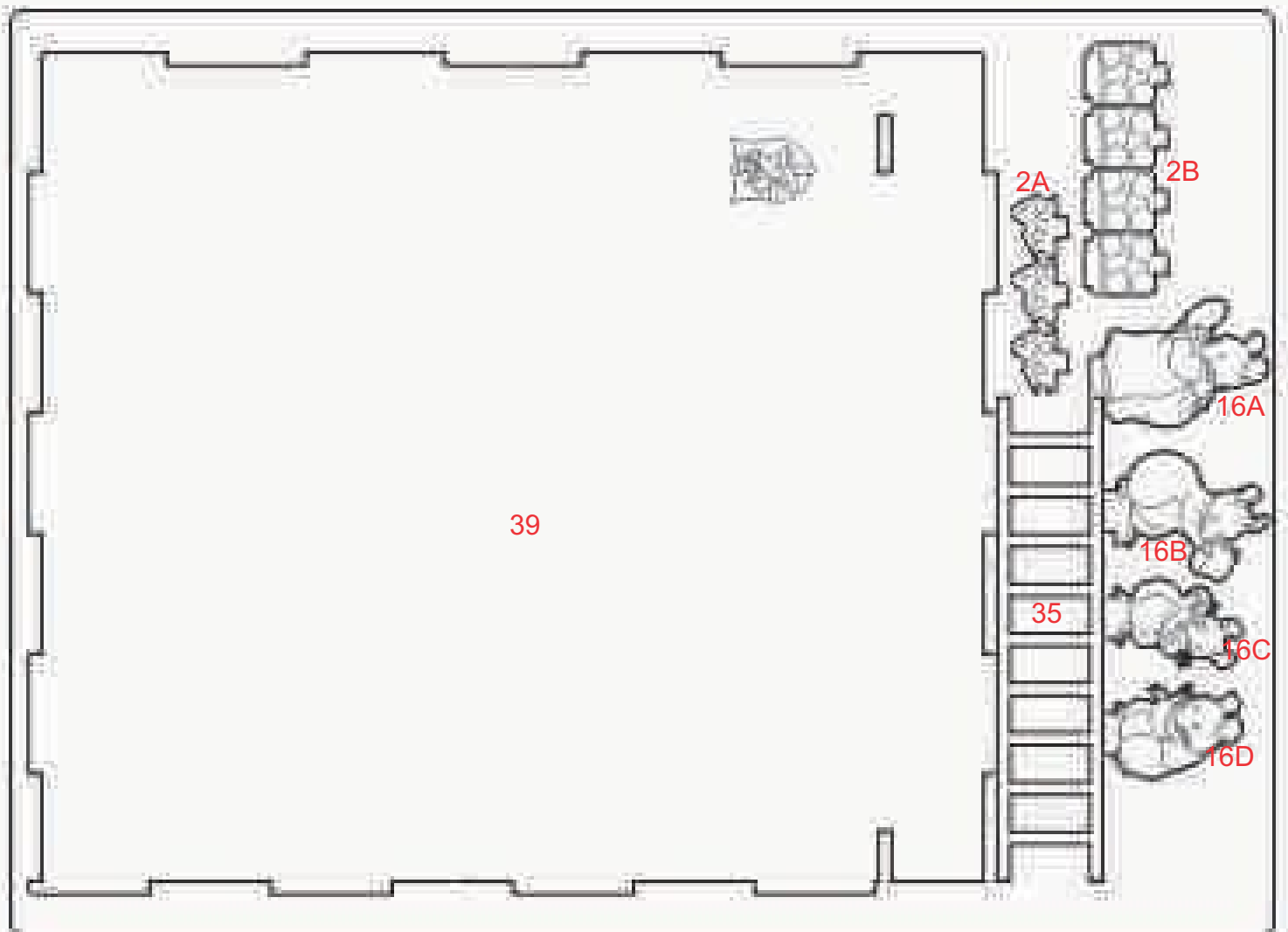
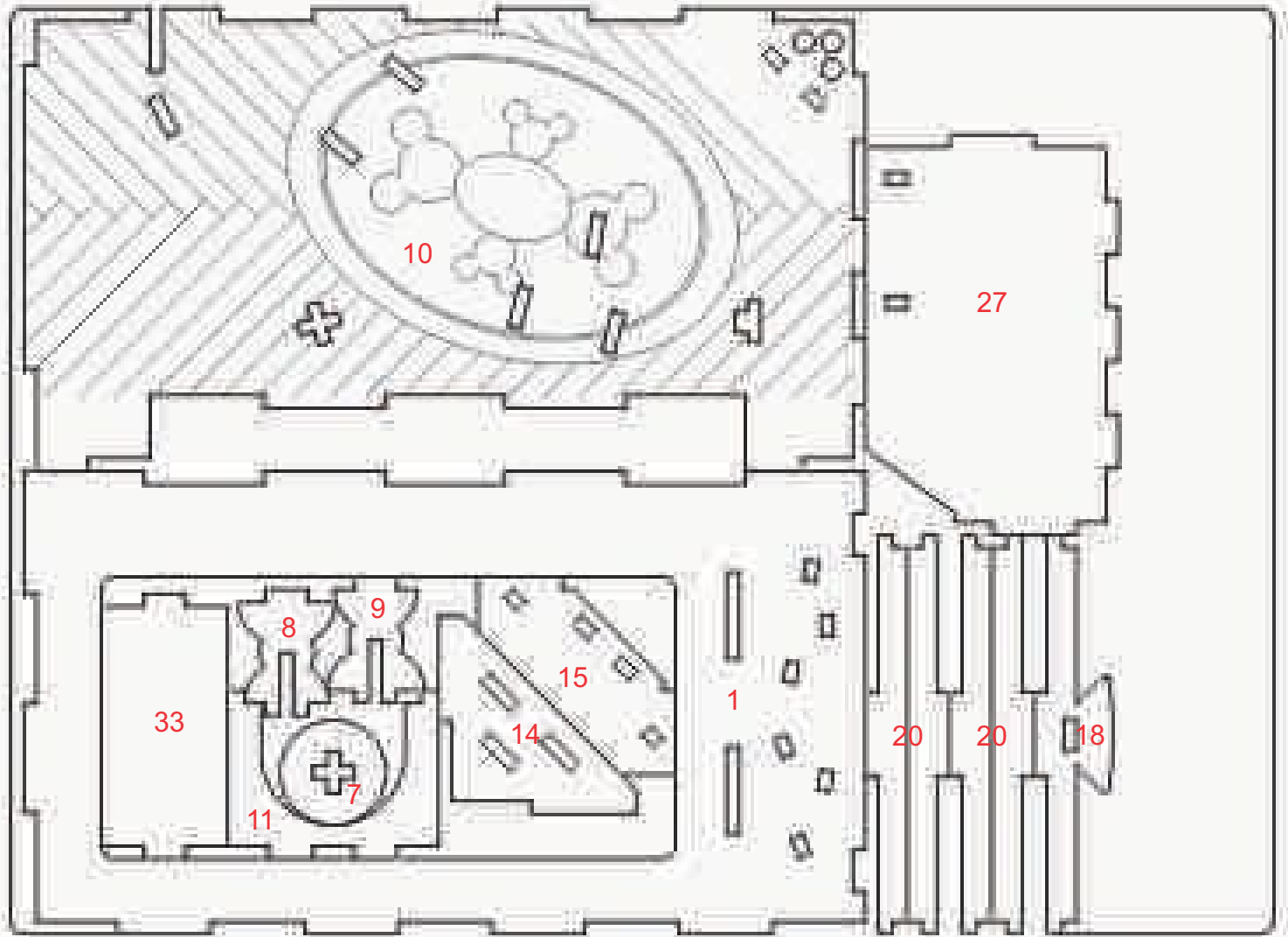
Turn horizontally

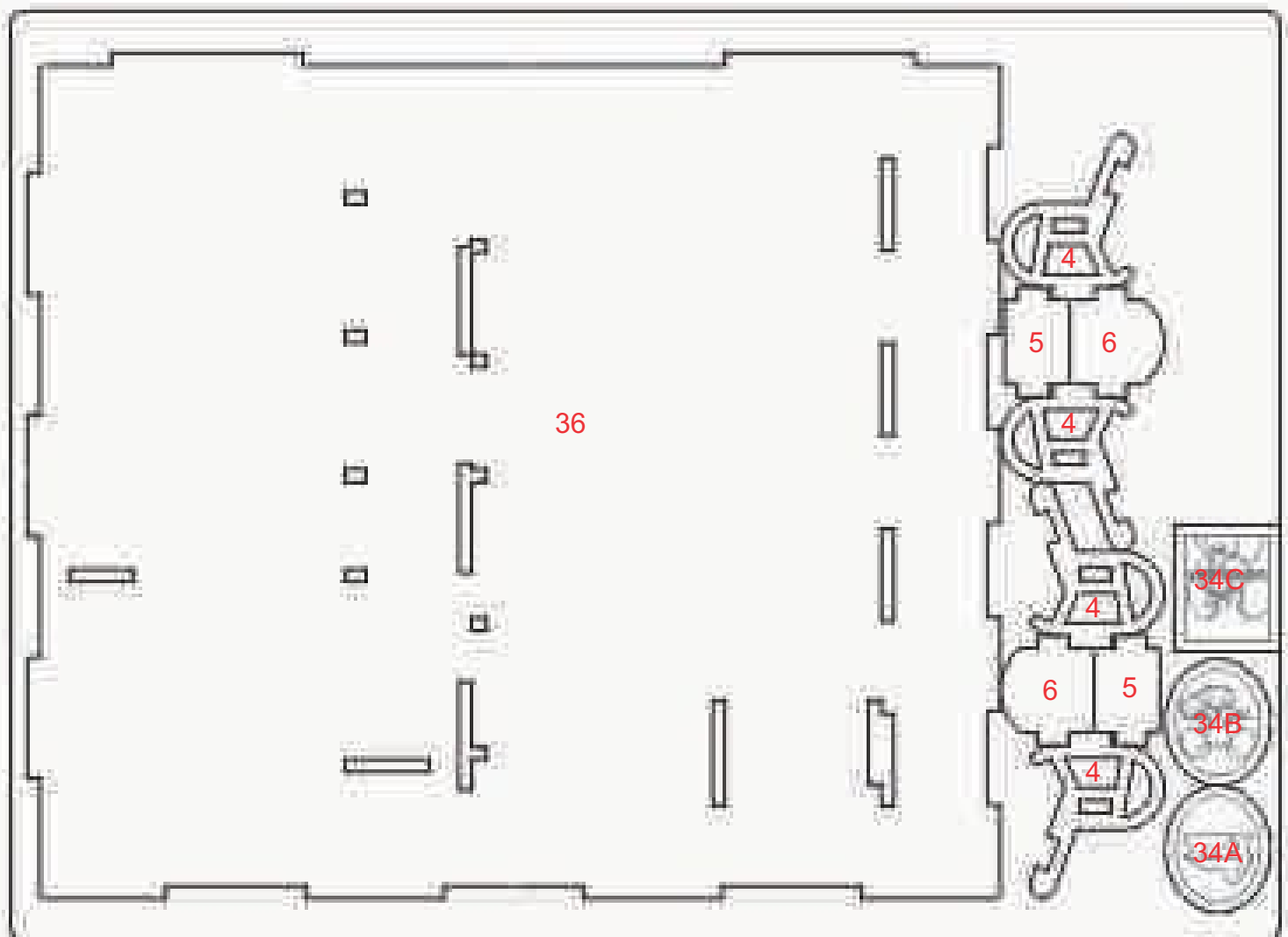
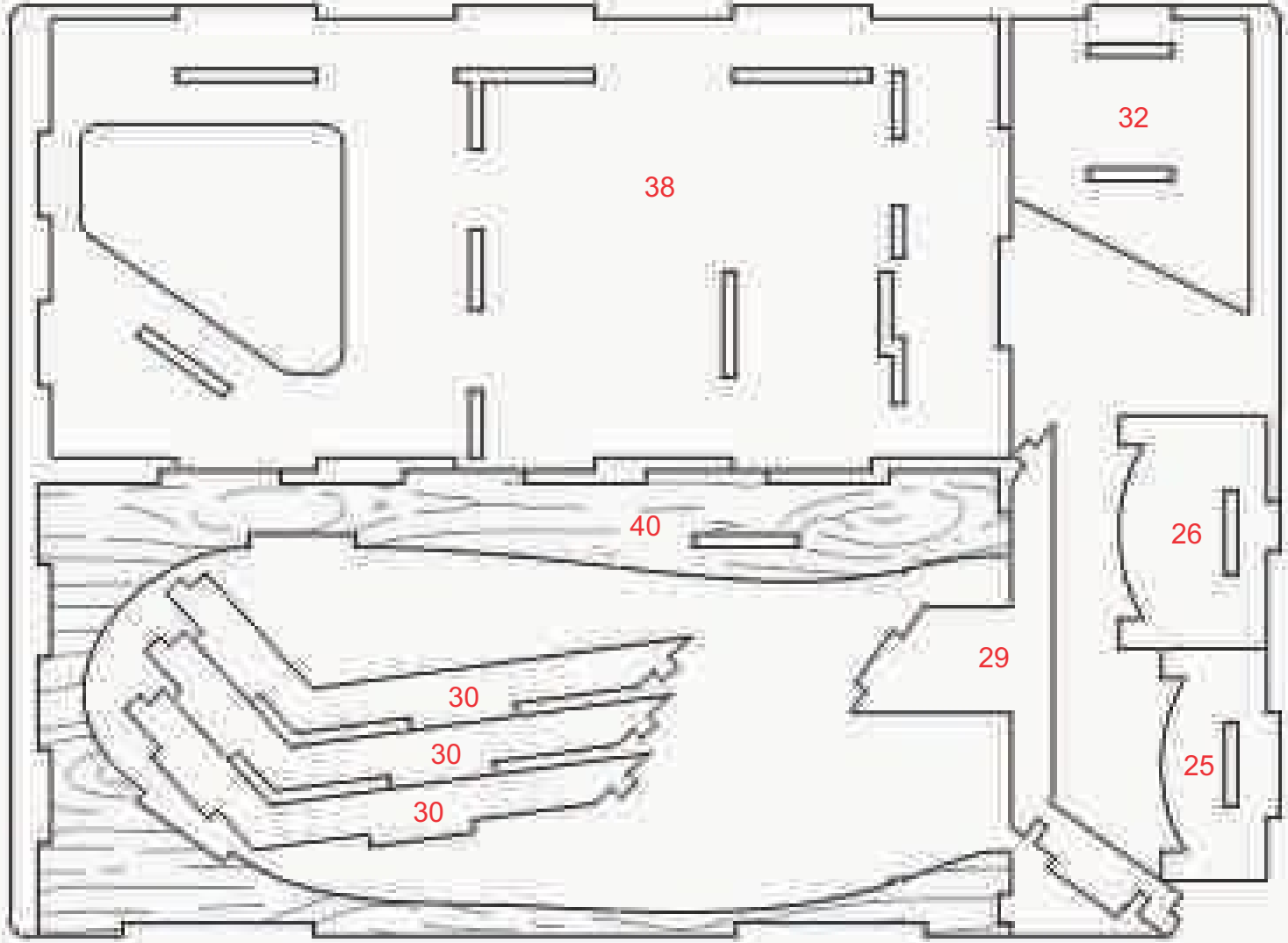


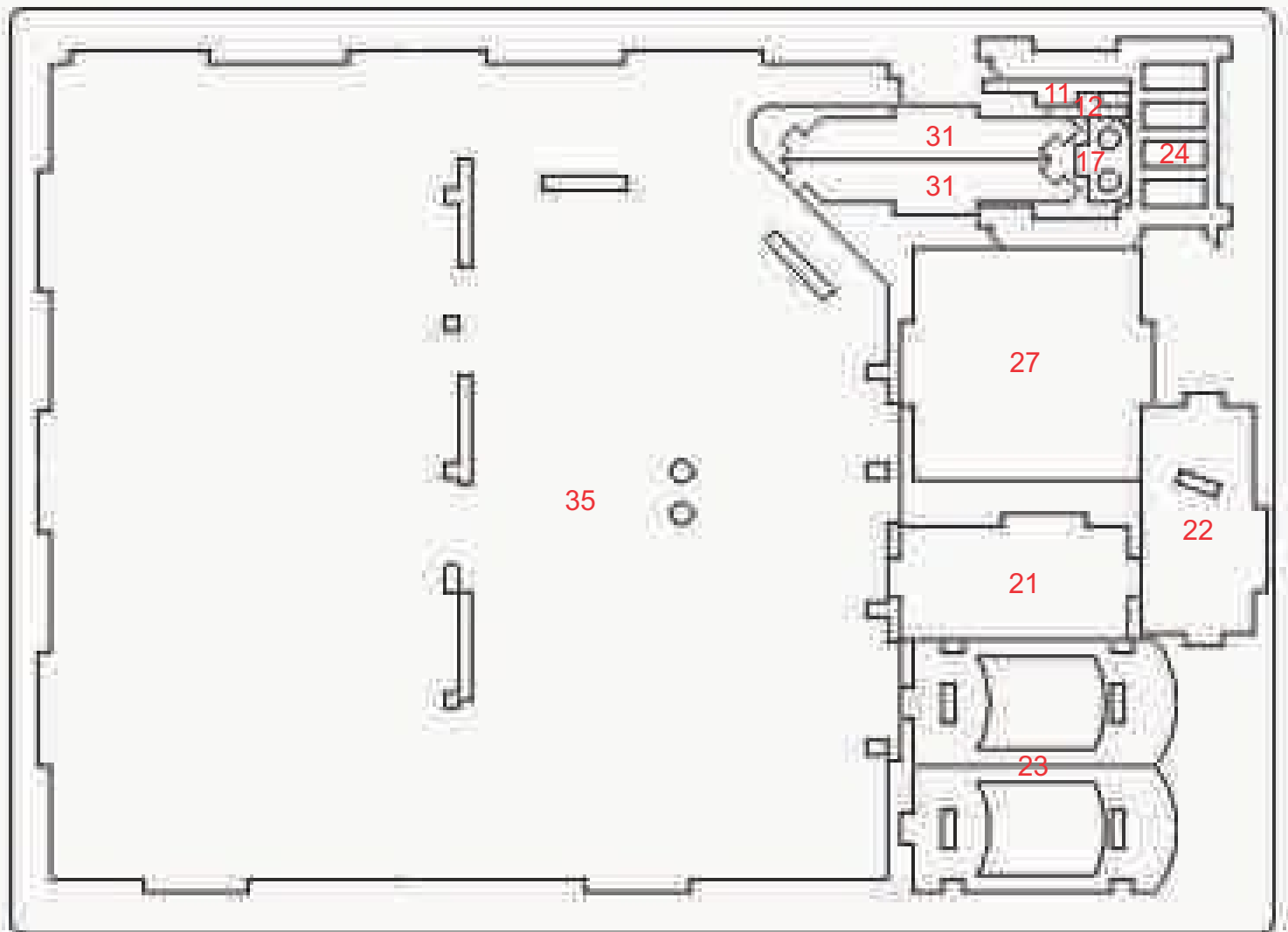
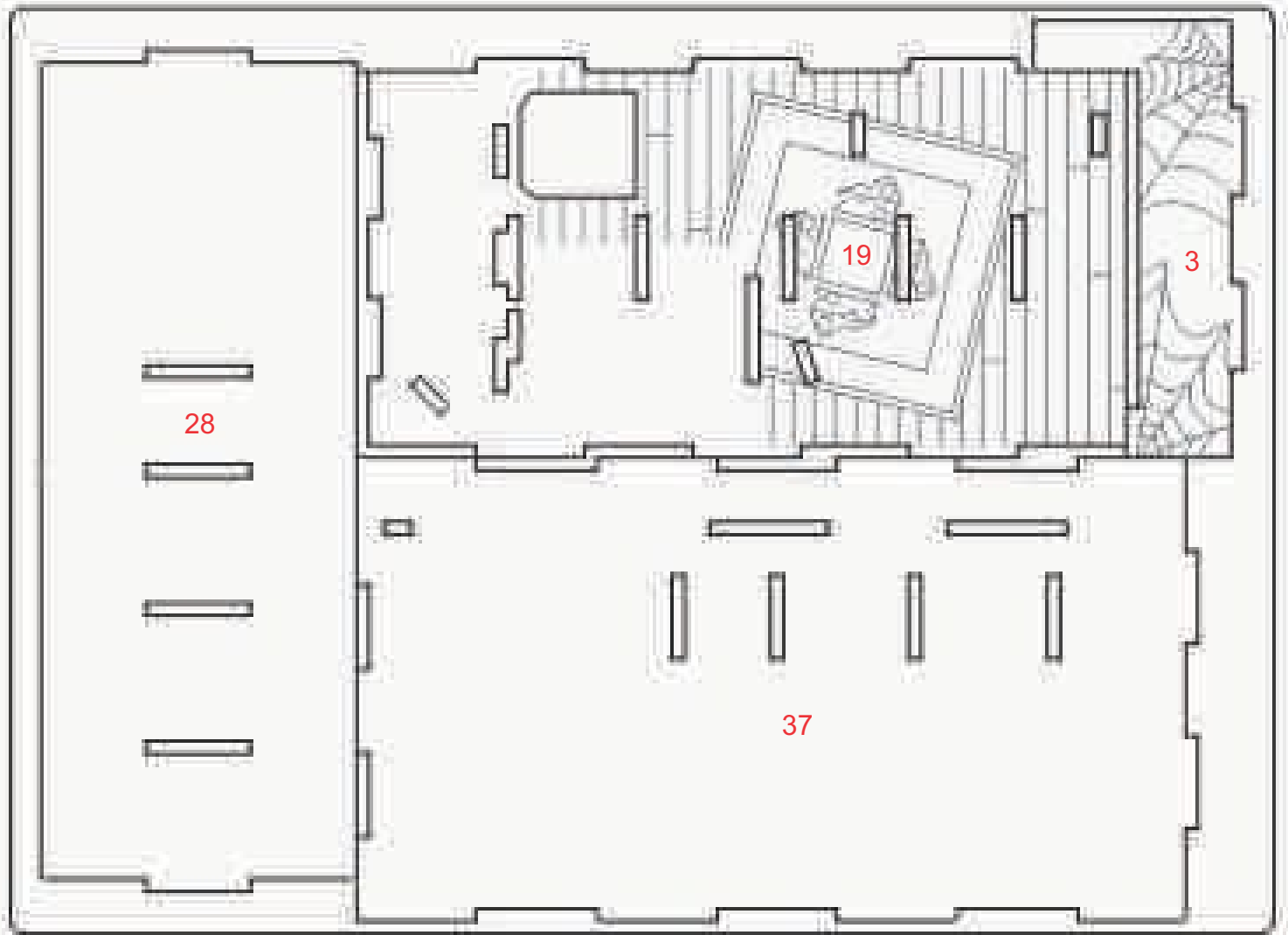
Turn vertically

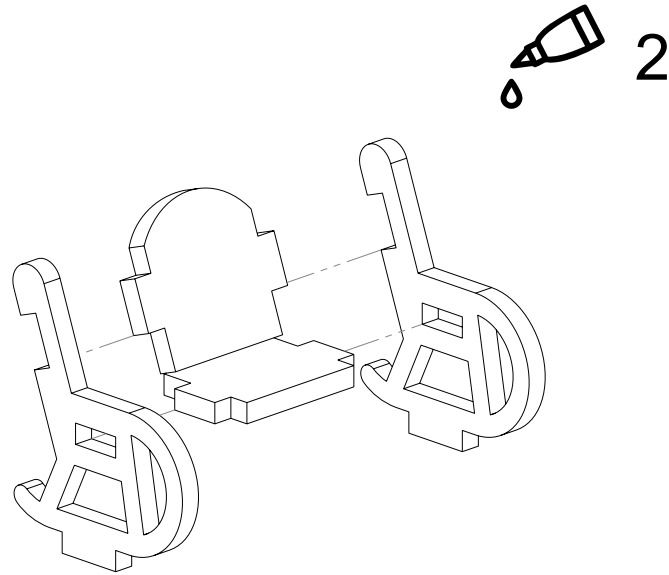
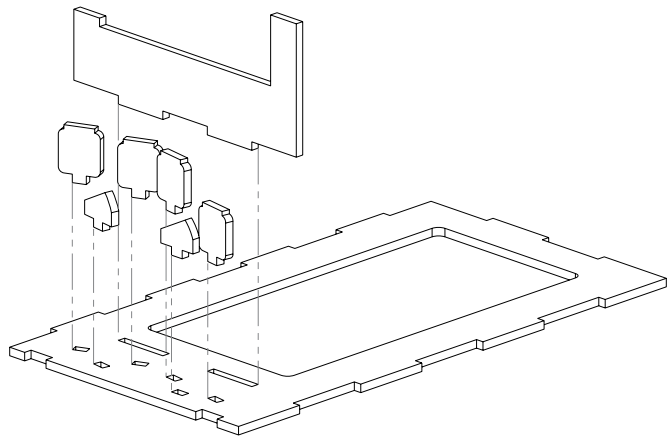
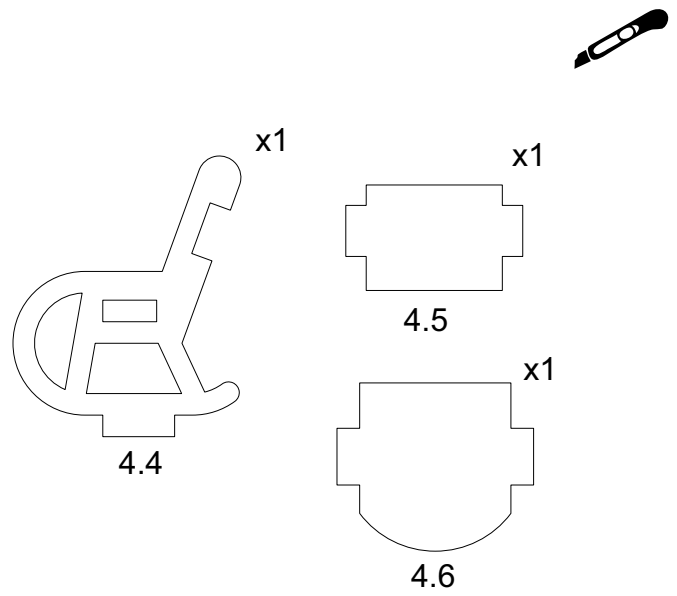
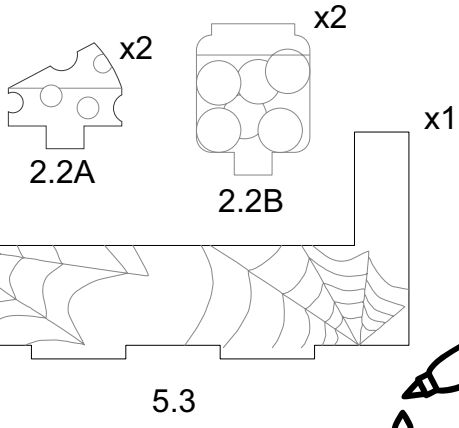
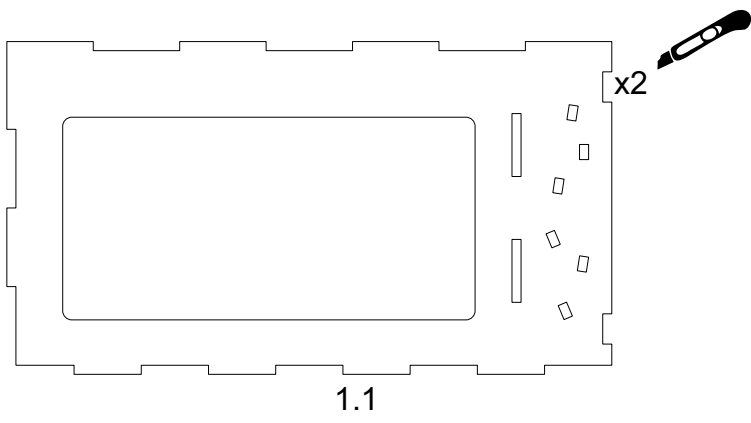


Warning: Choking hazard. Kit contains small parts.  
Not suitable for children under 3 years old.

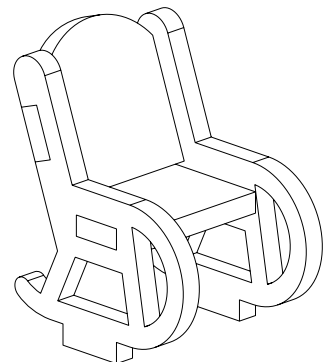
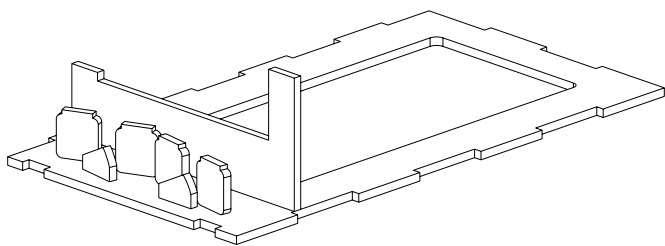




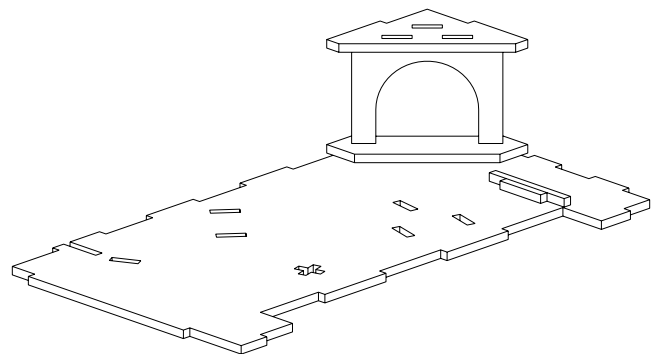
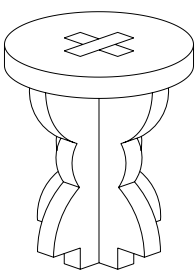
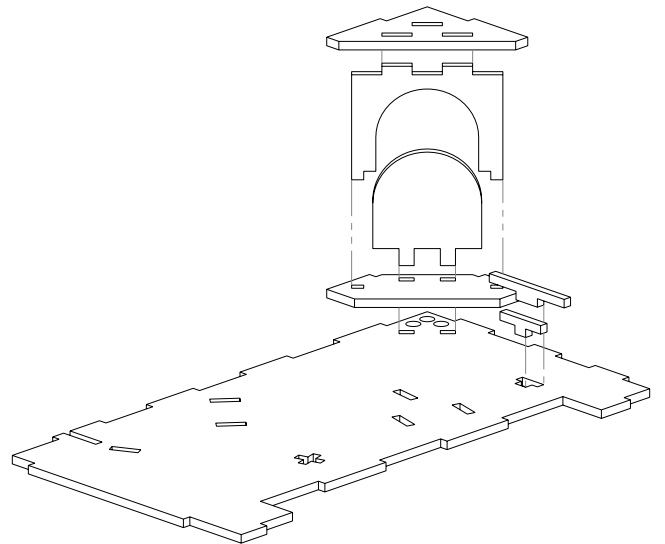
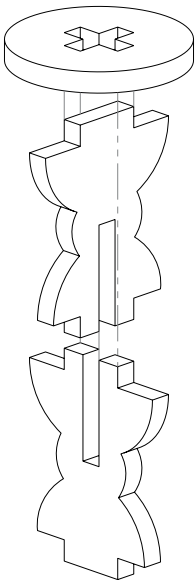
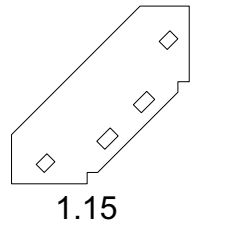
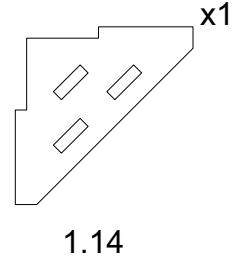
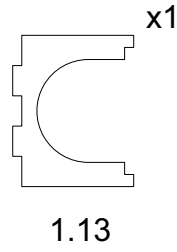
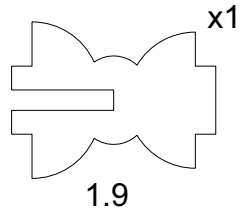
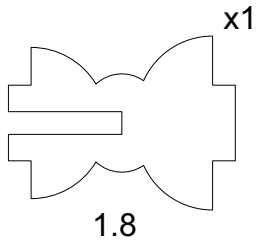
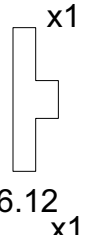
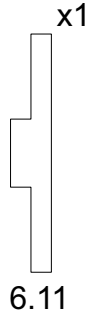
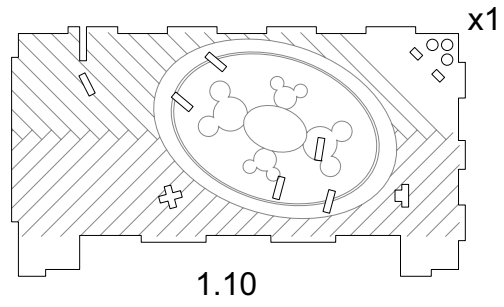
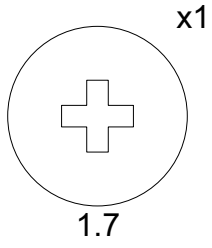


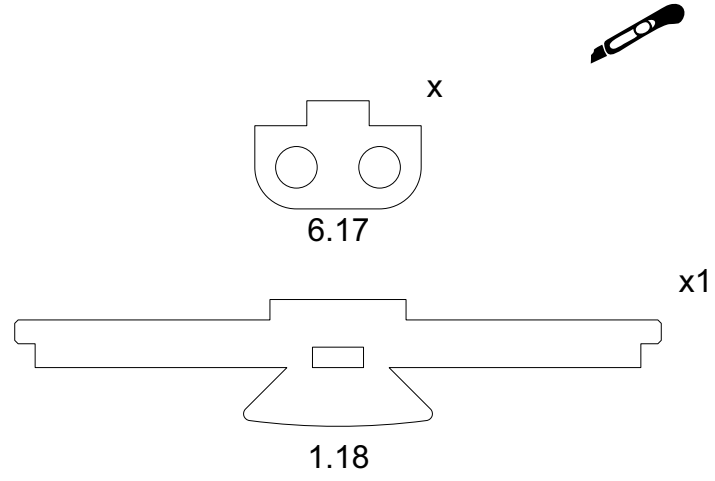
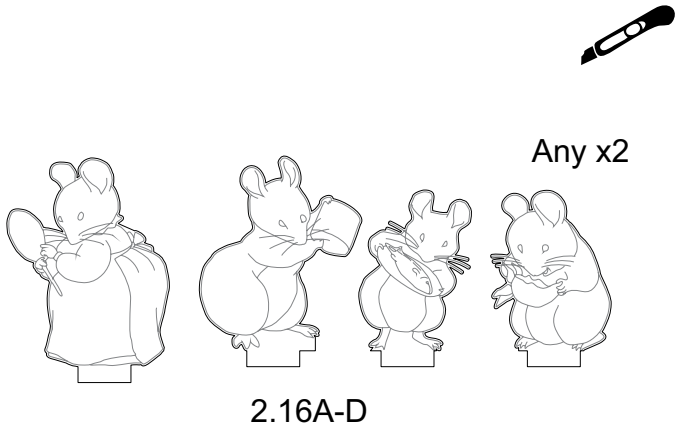


\*Note: Not all of parts 2A and 2B will fit in this space. You get to choose which ones you use and where.



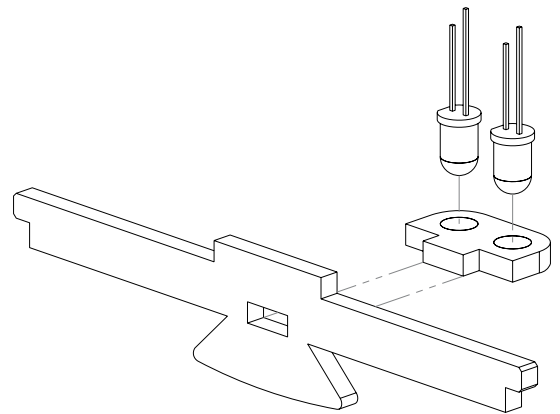
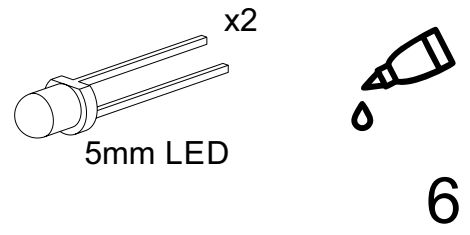
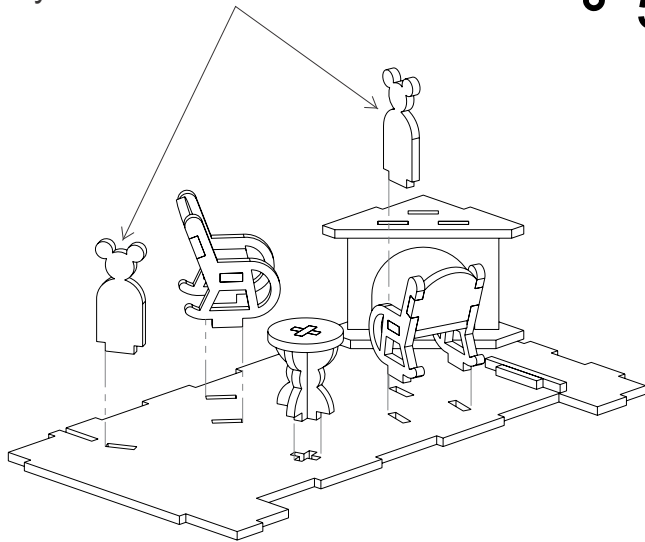
x2



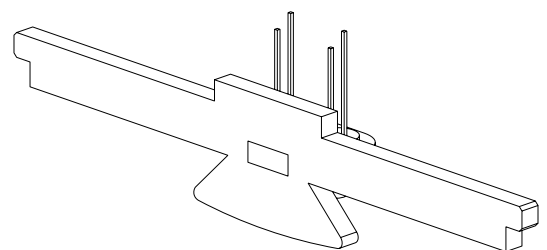
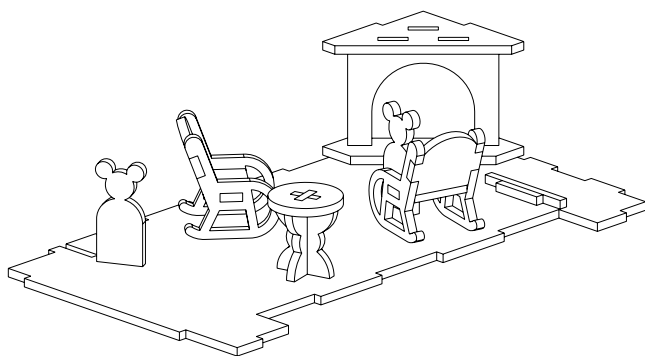


The "mice" are just placeholders. You can use any of the four mice here.

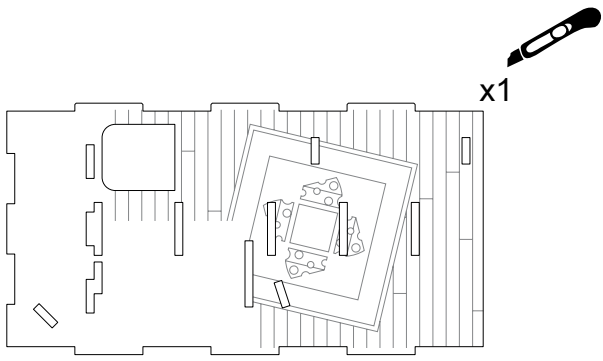
5



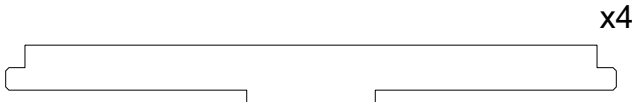
LED's are optional, but really improves the effect.



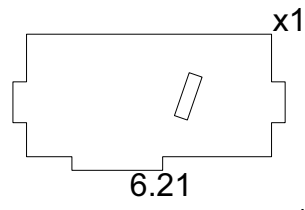




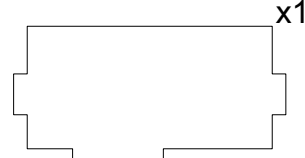
5.19



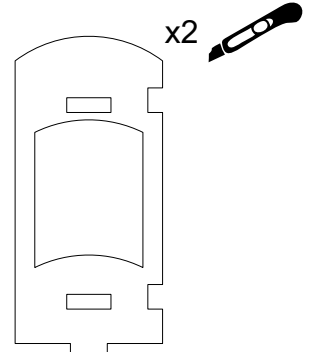
1.20



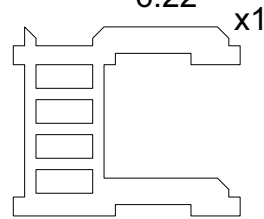
6.21



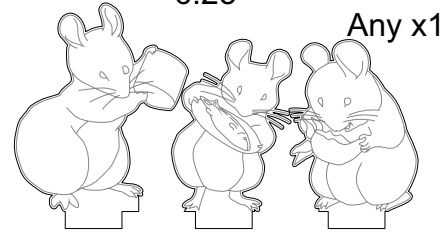
6.22



6.23

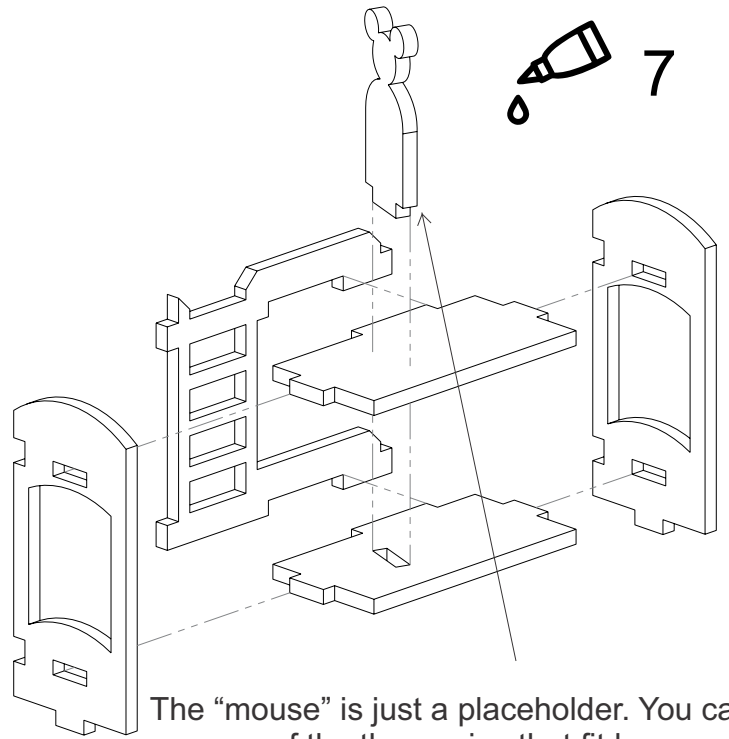
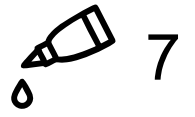
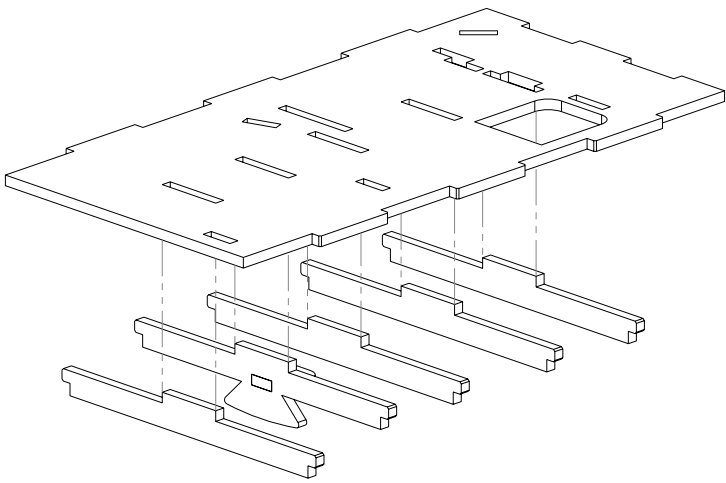


6.24

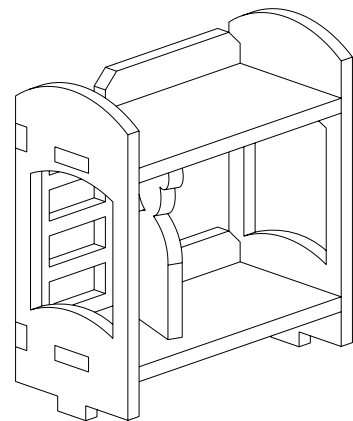
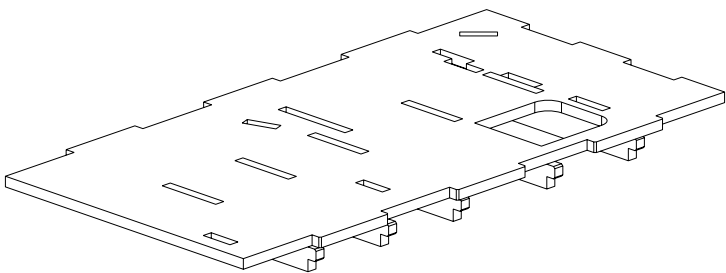


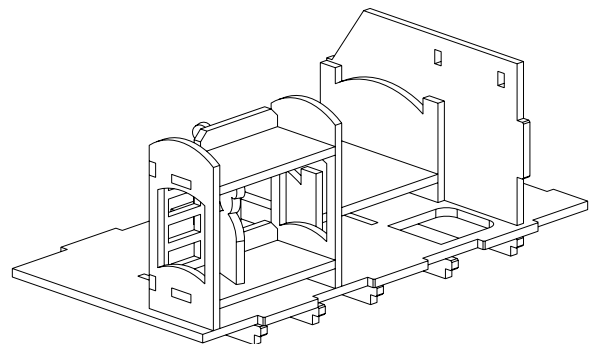
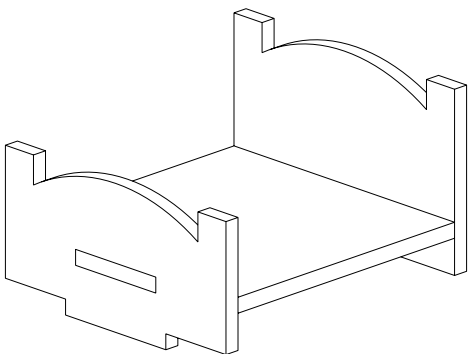
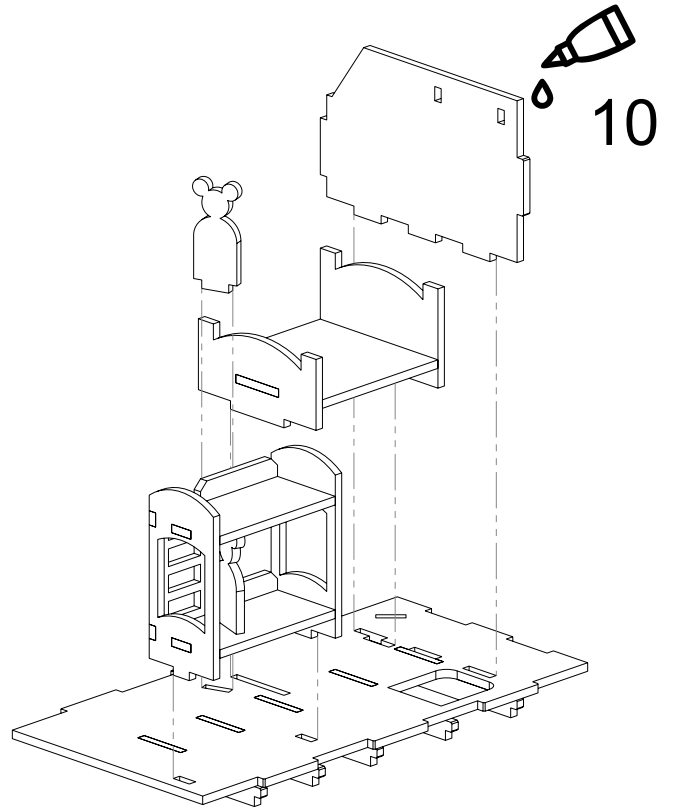
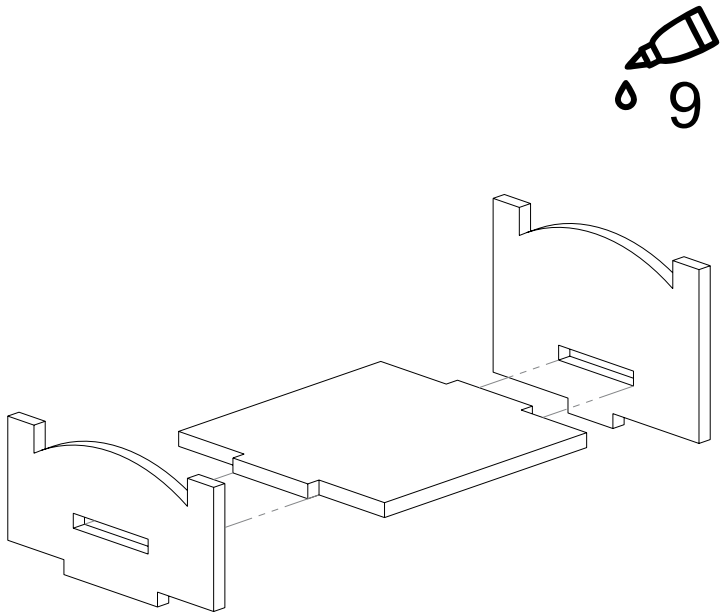
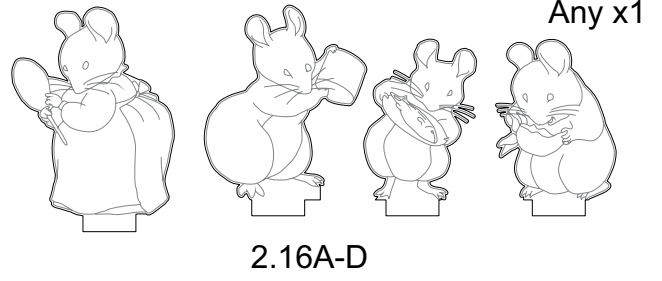
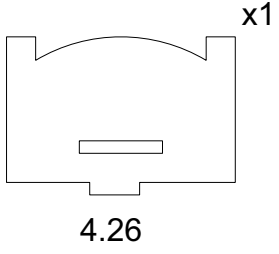
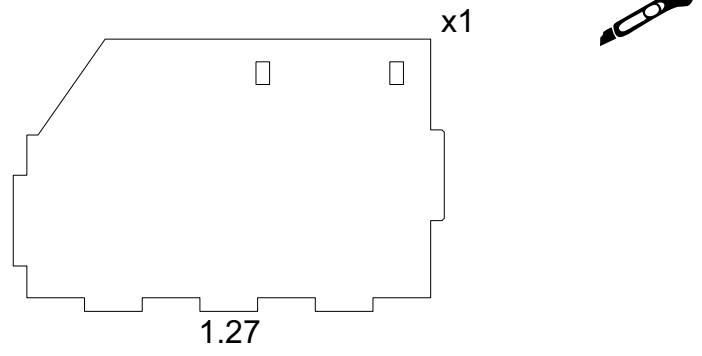
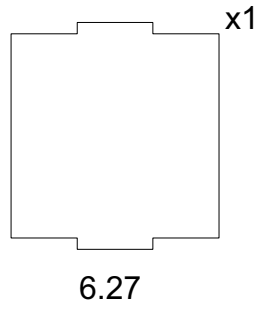
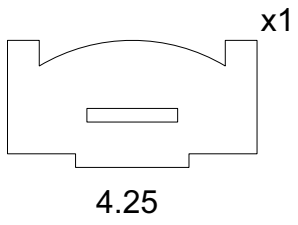
2.16B-D

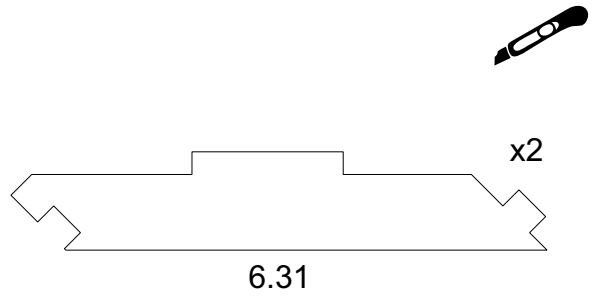
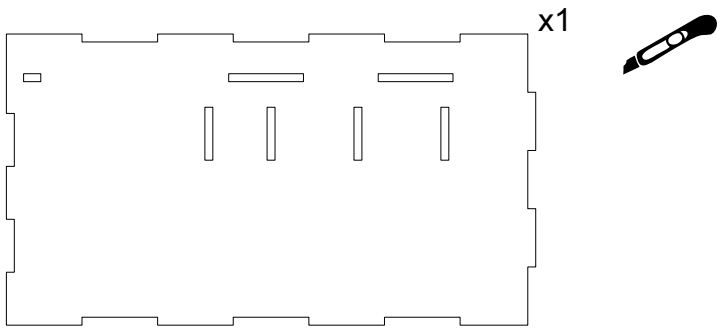
Any x1



The "mouse" is just a placeholder. You can use any of the three mice that fit here.

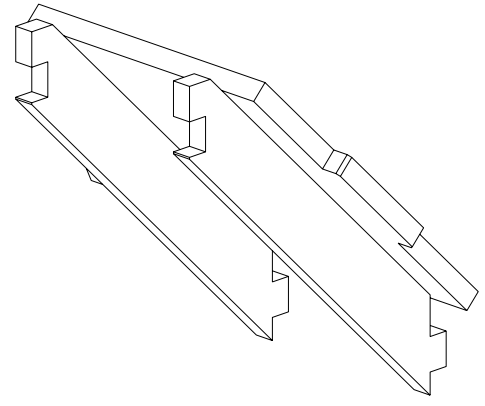
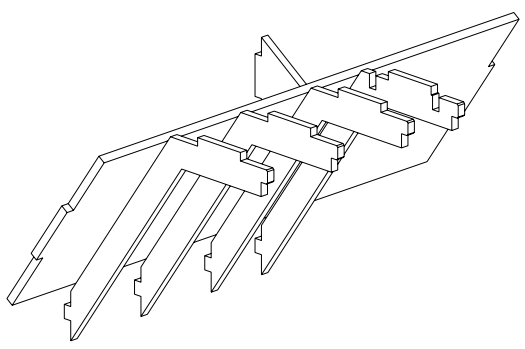
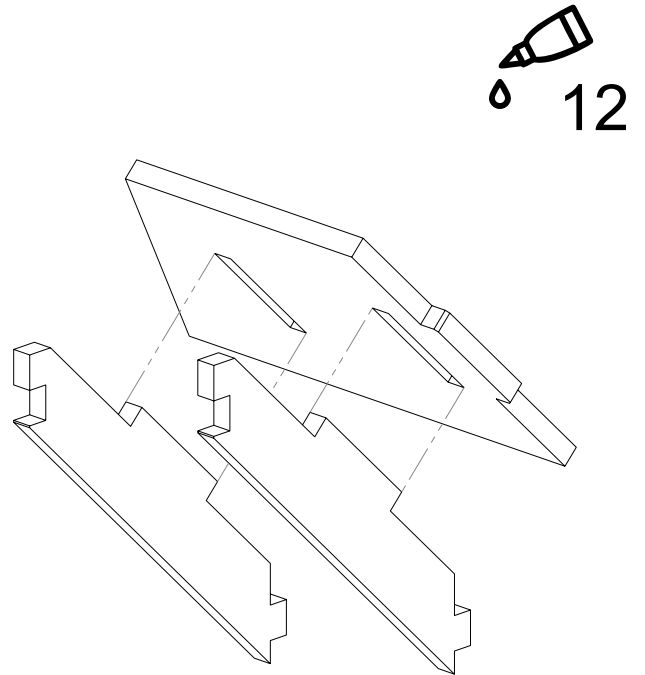
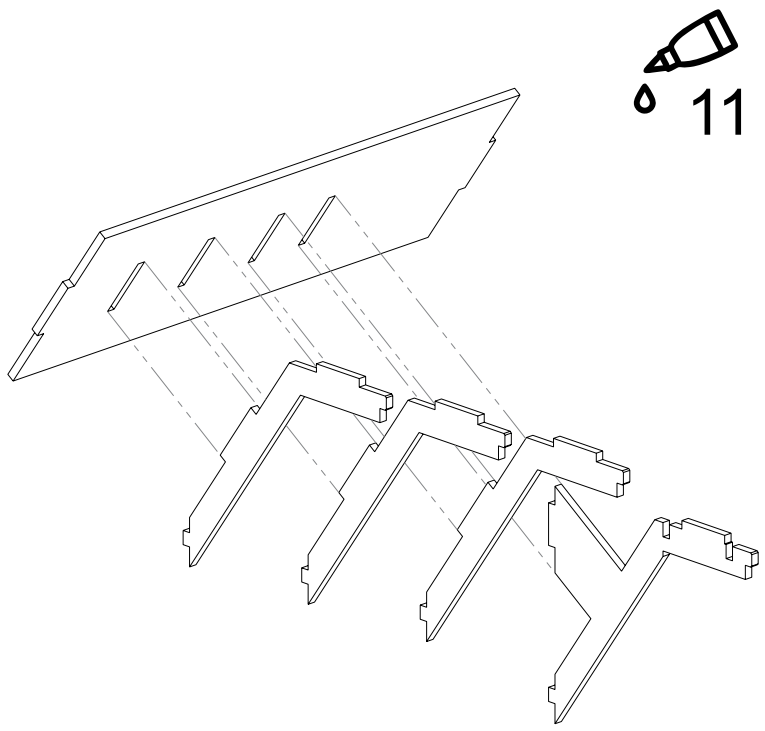
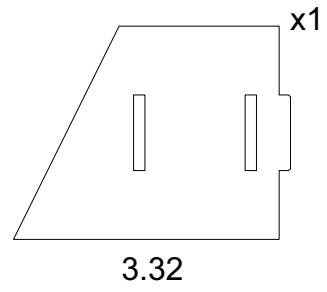
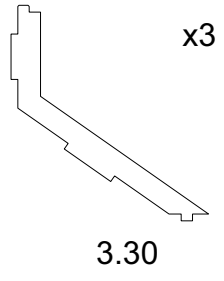
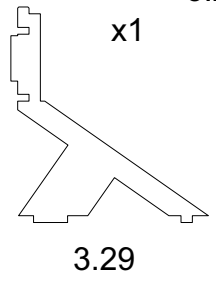


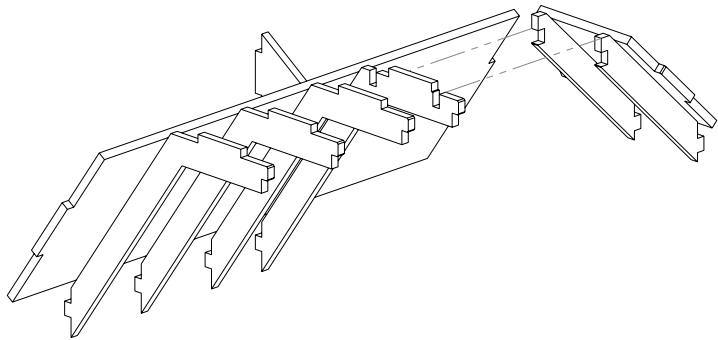




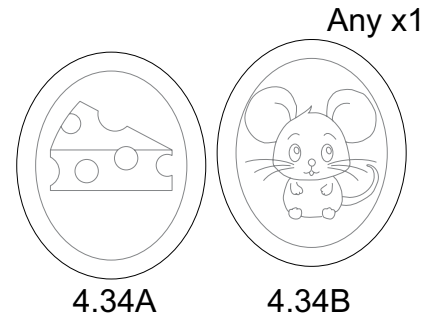
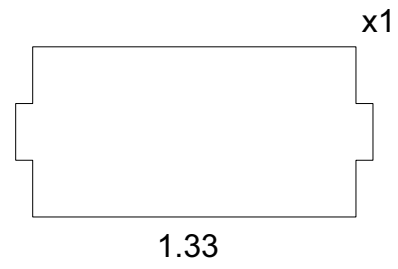
5.28

6.31

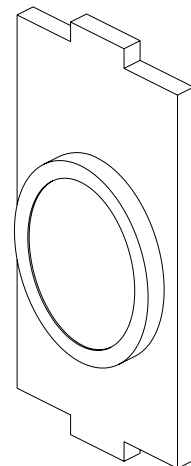
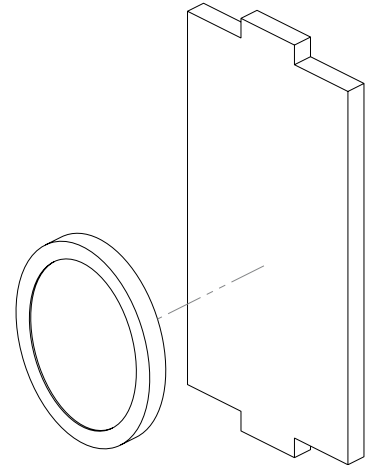
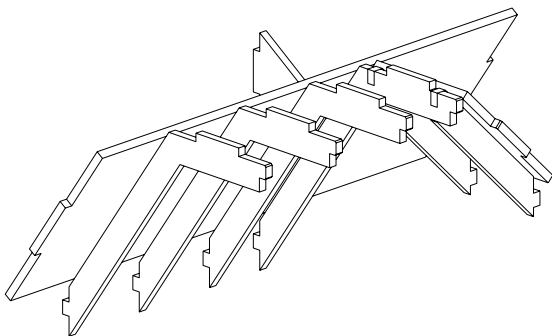




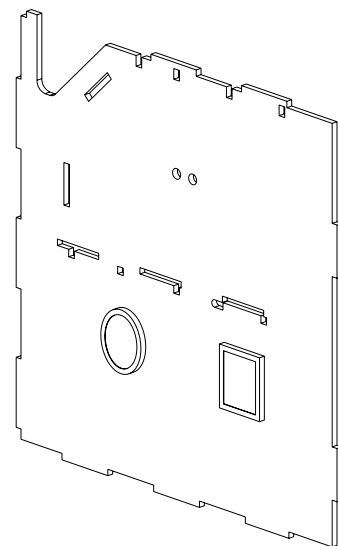
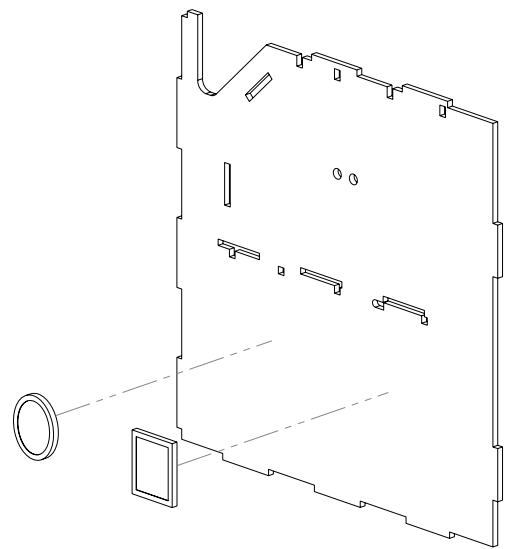
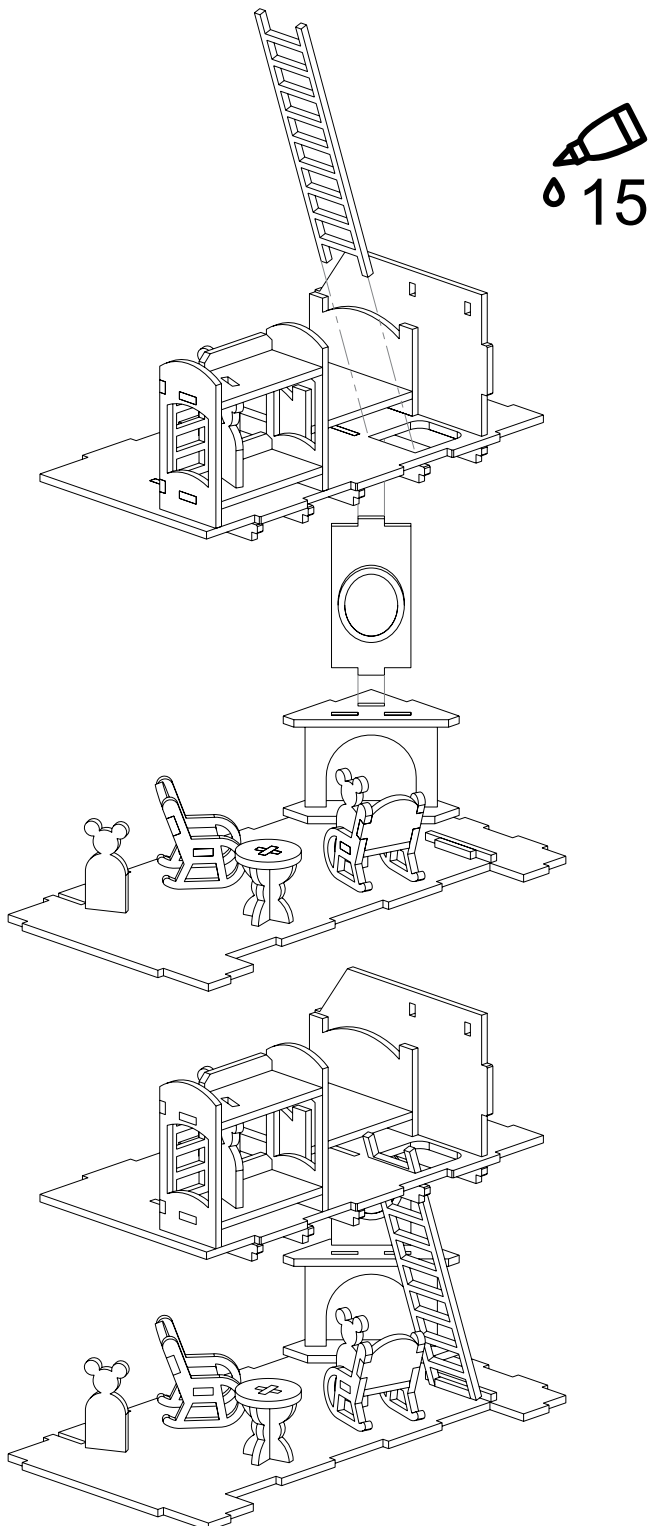
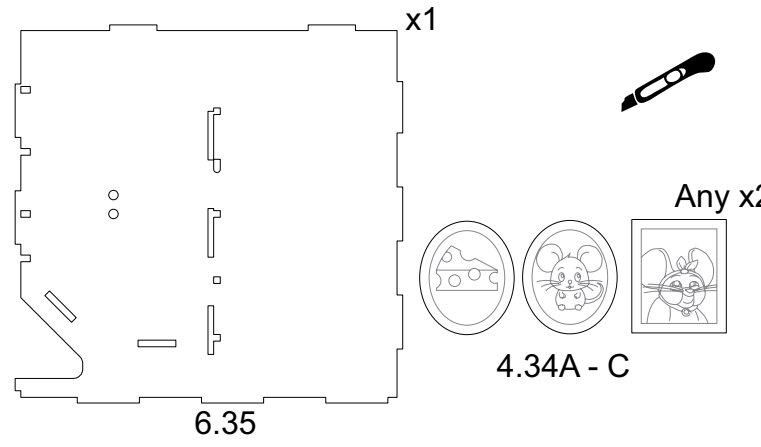
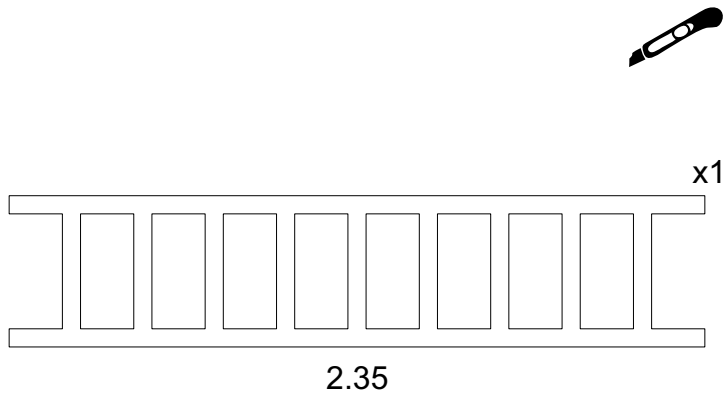
  
13



  
14

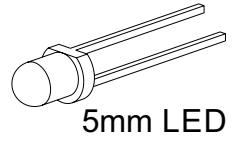
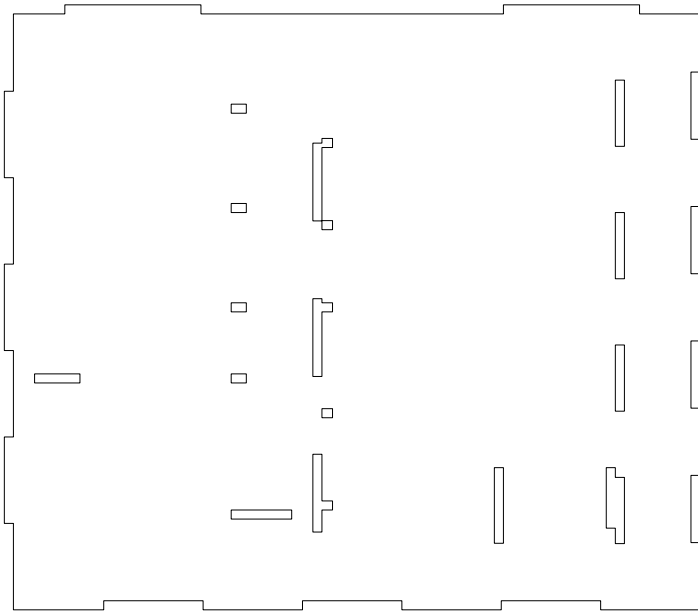


\*Note: This is optional. The “paintings” can be placed anywhere in the Mouse House.



\*Note: This is optional. The "paintings" can be placed anywhere in the Mouse House.

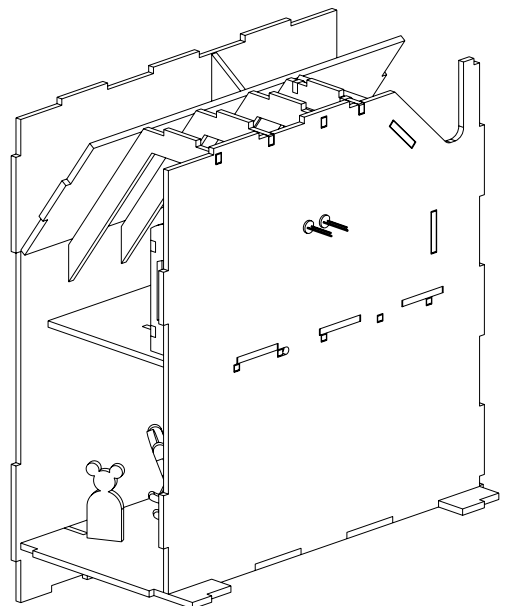
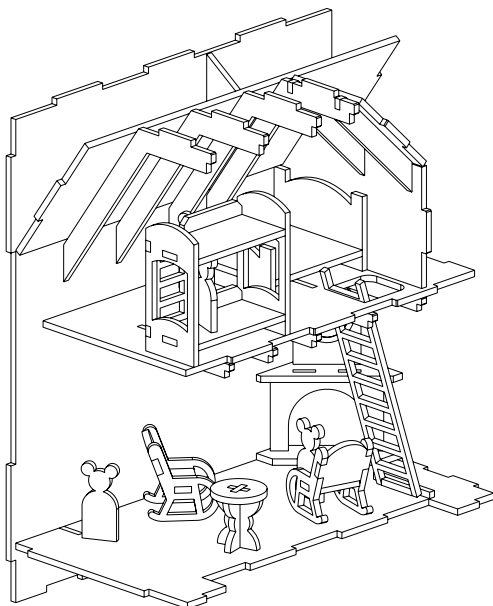
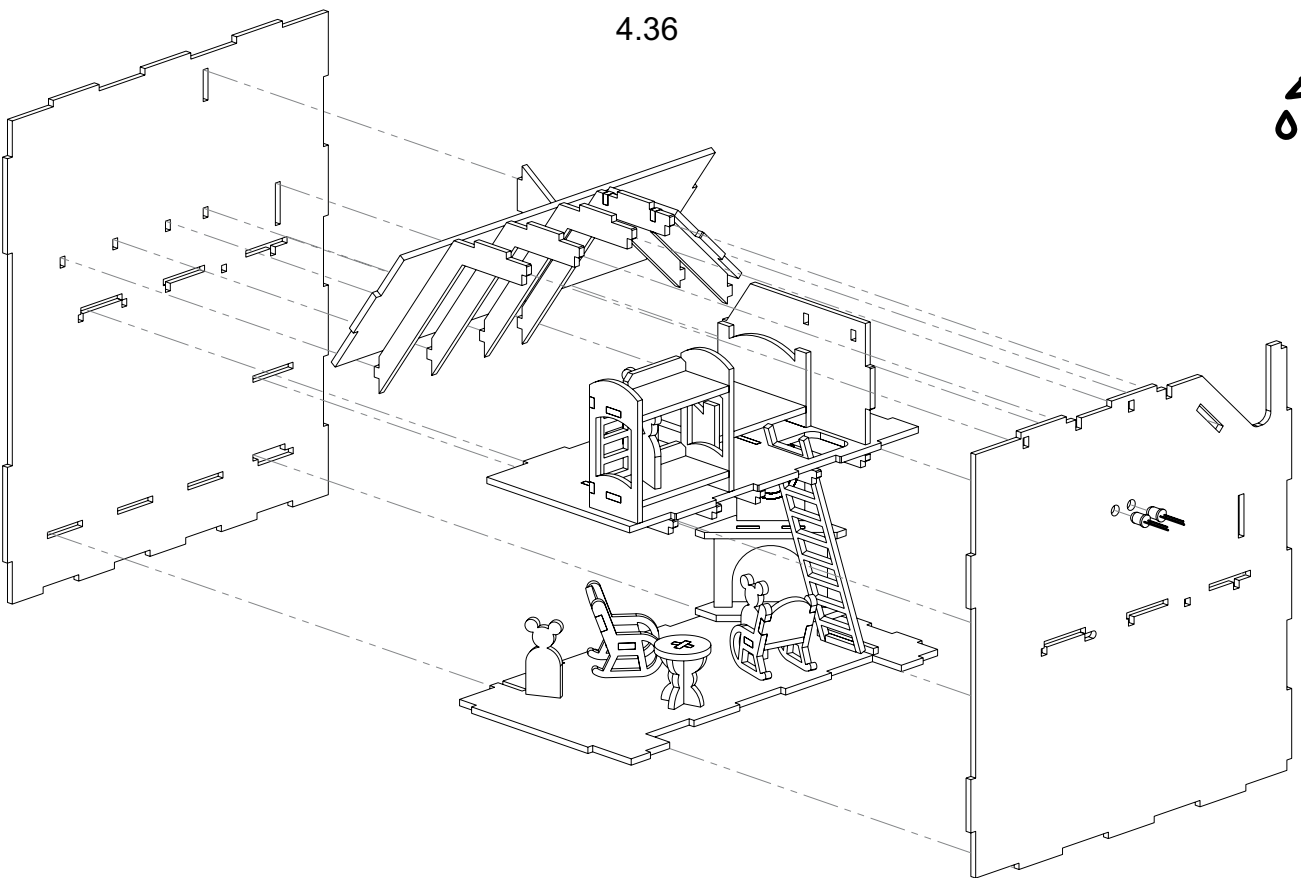
x1



5mm LED

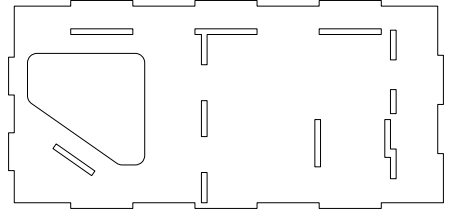
4.36

17



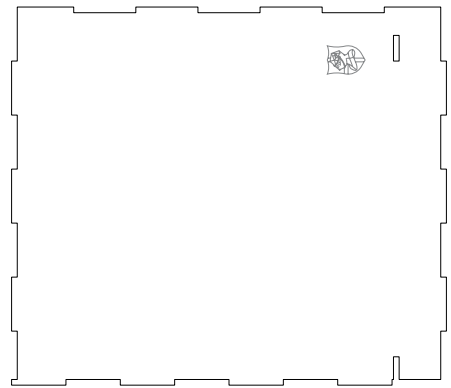


x1



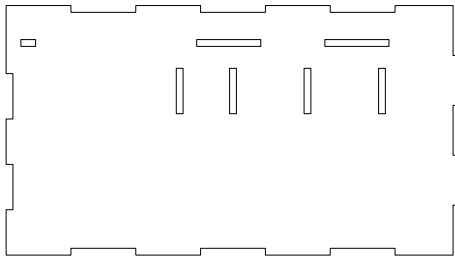
3.38

x1



2.39

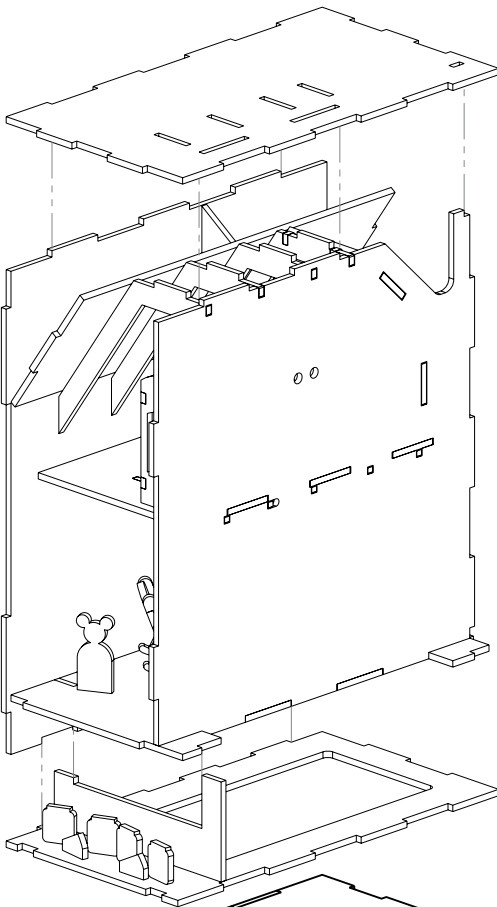
x1



5.37



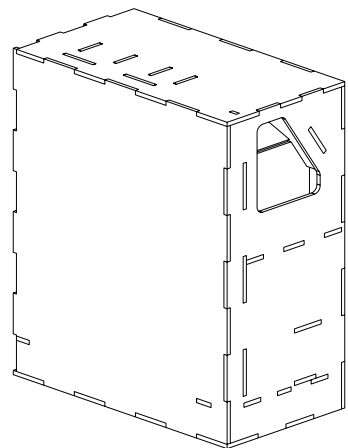
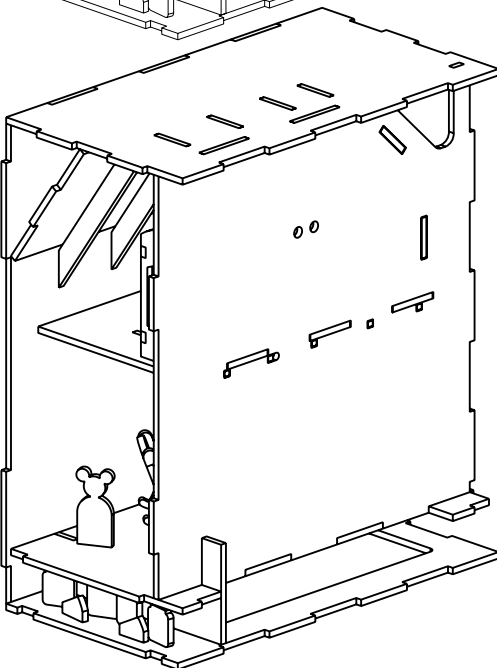
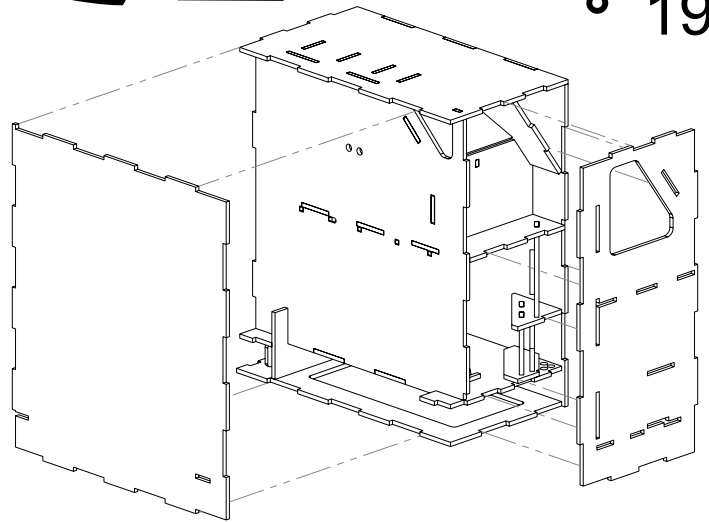
18



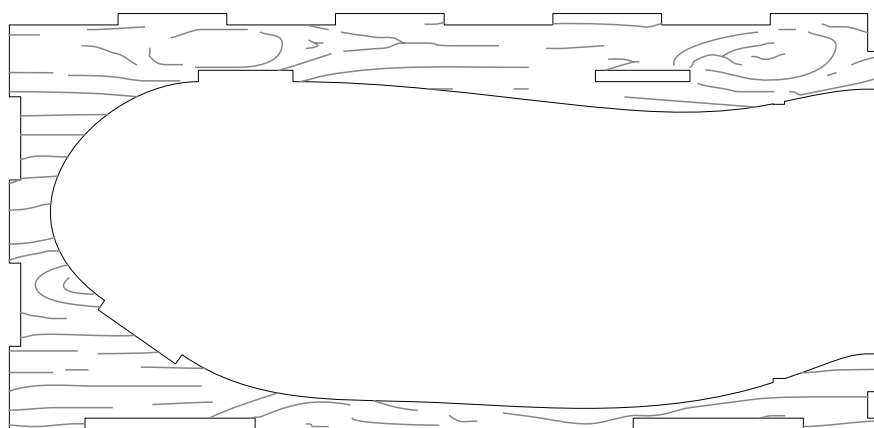
90°



19



x1



3.40

